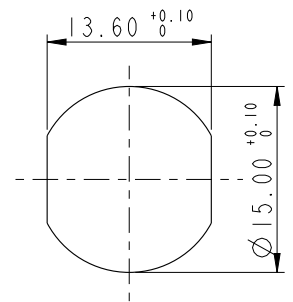
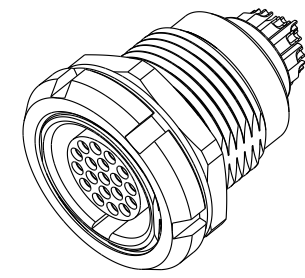
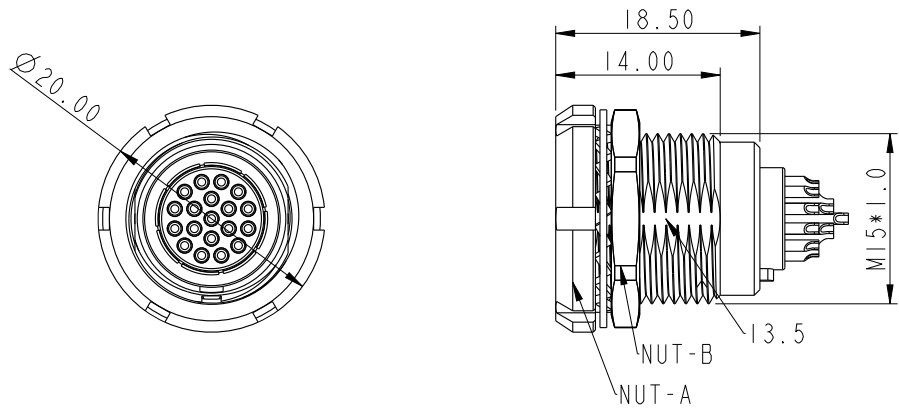
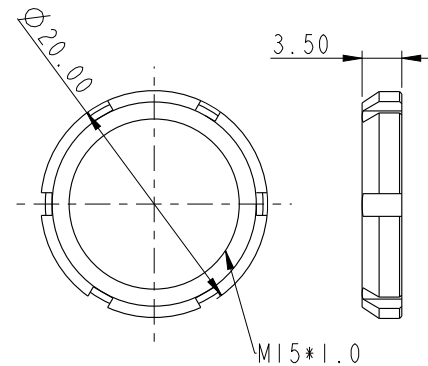


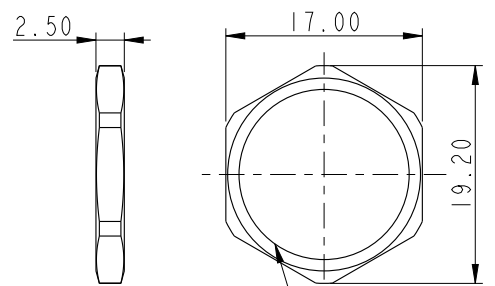
REV.	DESCRIPTION



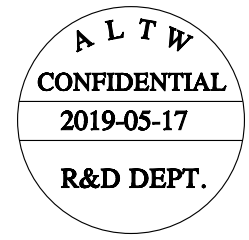
Recommended  
Panel Cut-Out  
Rear View



NUT-A



NUT-B



- Notes:
- \*  $\varnothing$  Important Dimensions To Check.
  - \* Female Pin: Copper Alloy, Gold Plated.
  - \* Use Panel Thickness Max: 4.5mm

UNIT:mm		
TOLERANCE		
±0.5mm		

TITLE FLO 2B TWO NUT PANEL CONNECTOR			
SCALE 1:1	SIZE A4	SHEET 1 OF 2	
REV. A	WC-REV. A.1	$\varnothing$ Inspection item	

**Amphenol LTW**  
安費諾亮泰企業股份有限公司

ITEM NO	DWG NO FLBD-XXECFS-XCP-XXX
CUSTOMER ALTW	

DRAWN BY Ouyang	CHECKED BY Jerry
APPROVED BY Fred	

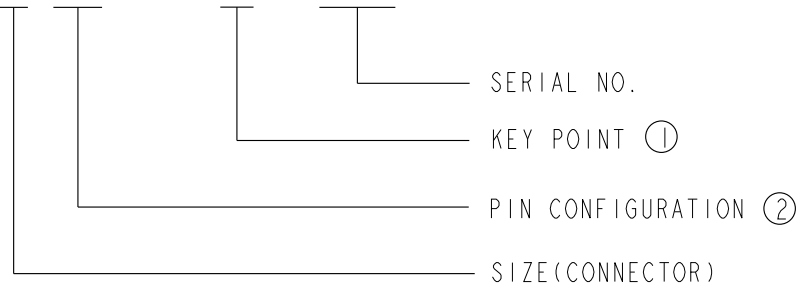
DATE 2019-05-17	DATE 2019-05-17
DATE 2019-05-17	

THIS DOCUMENT IS SUBJECT TO CHANGE WITHOUT NOTICE. IT IS CONFIDENTIAL AND A PROPERTY OF Amphenol LTW. DISCLOSURE TO THIRD PARTY HAS TO BE AUTHORIZED BY Amphenol LTW.

THIS DOCUMENT IS SUBJECT TO CHANGE WITHOUT NOTICE. IT IS CONFIDENTIAL AND A PROPERTY OF Amphenol LTW. DISCLOSURE TO THIRD PARTY HAS TO BE AUTHORIZED BY Amphenol LTW.

REV.	DESCRIPTION

FLBD-XXECFS-XCP-XXX



KEY POINT ①						
CODE	G	A	B	C	J	F
	0°	30°	45°	60°	37.5°	145°
GRAPHIC						

PIN CONFIGURATION (Solder Definition) ②

GRAPHIC							
	2 PIN	3 PIN	4 PIN	5 PIN	6 PIN	7 PIN	
	8 PIN	10 PIN	12 PIN	14 PIN	16 PIN	18 PIN	19 PIN

UNIT: mm	
TOLERANCE	±0.5mm

TITLE FLO 2B TWO NUT PANEL CONNECTOR			
SCALE 1:1	SIZE A4	SHEET 2 OF 2	
REV. A	WC-REV. A.1	QC: Inspection item	

**Amphenol LTW**  
安費諾亮泰企業股份有限公司

ITEM NO	DWG NO	CUSTOMER
	FLBD-XXECFS-XCP-XXX	ALTW

DRAWN BY	CHECKED BY	APPROVED BY
Ouyang	Jerry	Fred

DATE	DATE	DATE
2019-05-17	2019-05-17	2019-05-17