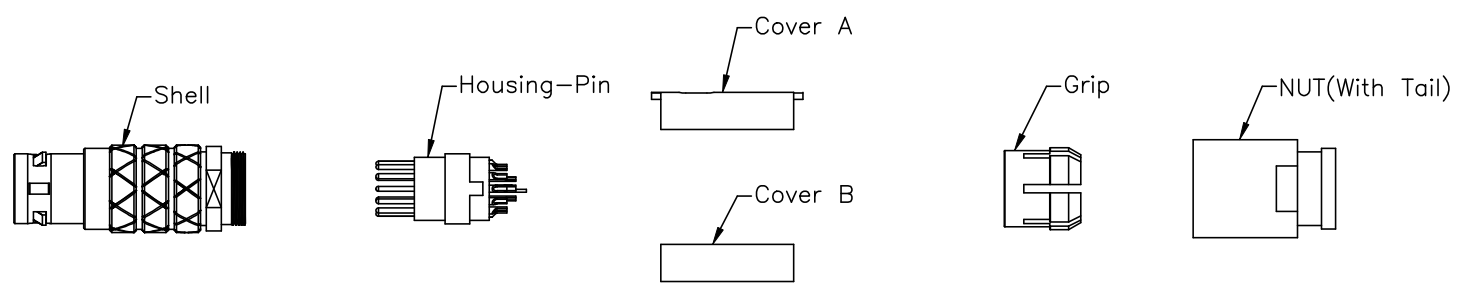
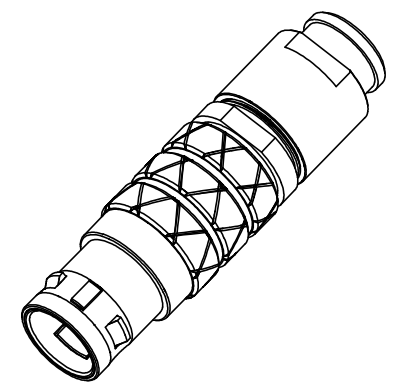
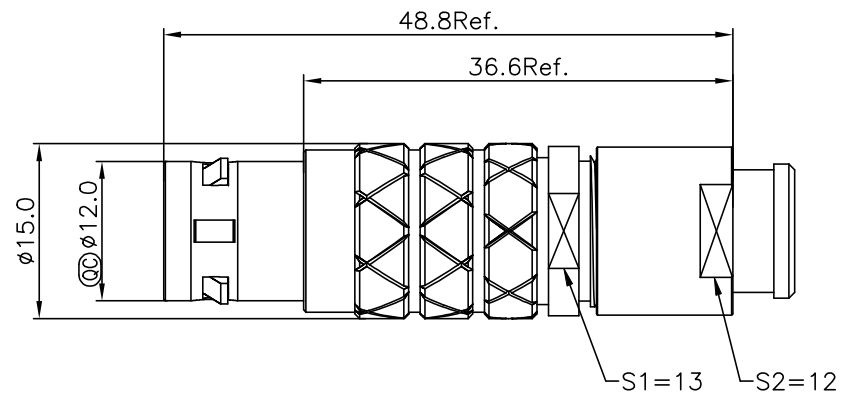


REV.	DESCRIPTION
B	Change Number
C	Change PIN Number
D	Change Cable dia range

THIS DOCUMENT IS SUBJECT TO CHANGE WITHOUT NOTICE. IT IS CONFIDENTIAL AND A PROPERTY OF Amphenol LTW. DISCLOSURE TO THIRD PARTY HAS TO BE AUTHORIZED BY Amphenol LTW.



Notes:
 * QC Important Dimensions To Check.
 * Male Pin: Copper Alloy, Gold Plated.

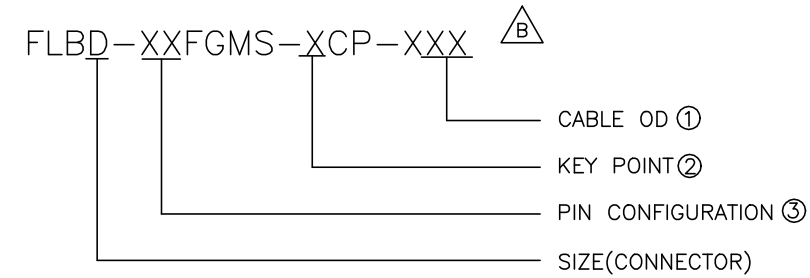


UNIT:mm TOLERANCE $\pm 0.5\text{MM}$	TITLE FLO 2B FI CONNECTOR		Amphenol LTW 安費諾亮泰企業股份有限公司	ITEM NO	DRAWN BY Ouyang	DATE 2019/09/04
	SCALE Free	SHEET 1 OF 2		DWG NO FLBD-XXFGMS-XCP-XXX	CHECKED BY Mafei	DATE 2019/09/04
	REV. D	SIZE A4		QC : Inspection Item	CUSTOMER ALTW	APPROVED BY Jerry

THIS DOCUMENT IS SUBJECT TO CHANGE WITHOUT NOTICE. IT IS CONFIDENTIAL AND A PROPERTY OF Amphenol LTW. DISCLOSURE TO THIRD PARTY HAS TO BE AUTHORIZED BY Amphenol LTW.

1 2 3 4 5 6 7 8

2B-SERIES CABLE COLLET(CABLE OD)			
CABLE CLAMP SET		CABLE DIA RANGE	
TYPE	CODE ①	MAX	MIN $\triangle D$
FLBD-XXFGMS-XCP-XXX $\triangle B$	211	6.2	5.2
	214	7.2	6.3
	216	8.2	7.3
	219	9.2	8.3
	--	--	--



KEY POINT ②

CODE	G	A	B	C	J	F
GRAPHIC	0°	30°	60°	90°	45°	155°

PIN CONFIGURATION (Solder Definition) ③ $\triangle C$

GRAPHIC							
	2 PIN	3 PIN	4 PIN	5 PIN	6 PIN	7 PIN	
GRAPHIC							
	8 PIN	10 PIN	12 PIN	14 PIN	16 PIN	18 PIN	19 PIN

UNIT:mm	
TOLERANCE	$\pm 0.5MM$

TITLE FLO 2B FI CONNECTOR	
SCALE Free	SHEET 2 OF 2
REV. D	SIZE A4
QC :Inspection Item	

Amphenol LTW
安費諾亮泰企業股份有限公司

ITEM NO	
DWG NO FLBD-XXFGMS-XCP-XXX	
CUSTOMER ALTW	

DRAWN BY Ouyang	DATE 2019/09/04
CHECKED BY Mafei	DATE 2019/09/04
APPROVED BY Jerry	DATE 2019/09/04