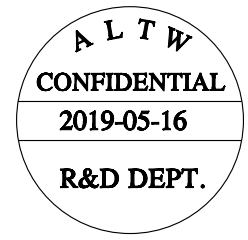
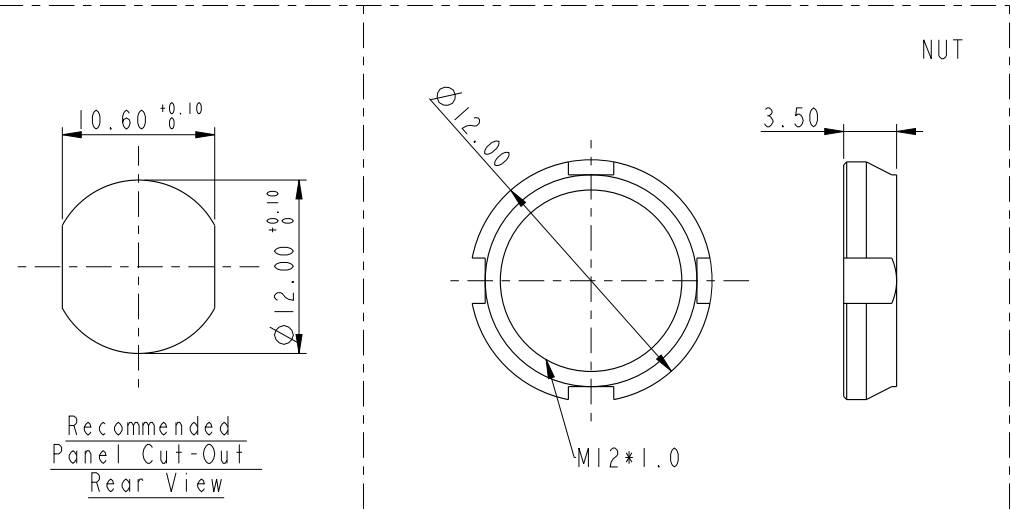
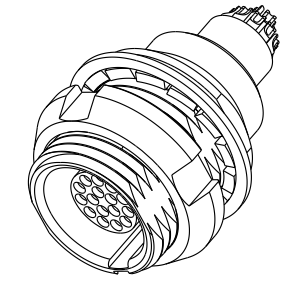
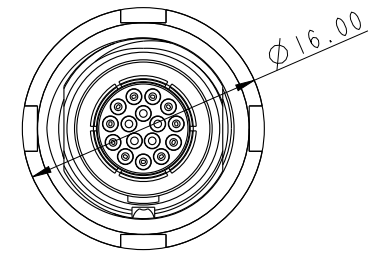
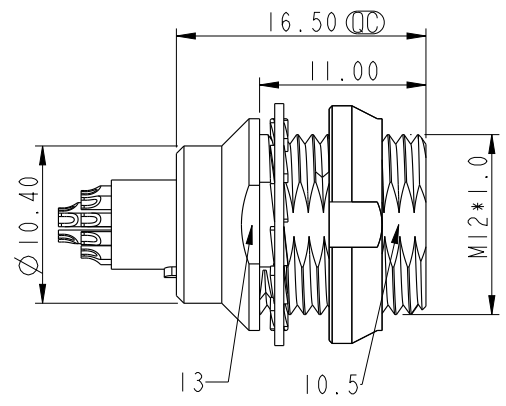


THIS DOCUMENT IS SUBJECT TO CHANGE WITHOUT NOTICE. IT IS CONFIDENTIAL AND A PROPERTY OF Amphenol LTW. DISCLOSURE TO THIRD PARTY HAS TO BE AUTHORIZED BY Amphenol LTW.

| REV. | DESCRIPTION |
|------|-------------|
| | |
| | |
| | |



Notes:
 * $\text{\textcircled{C}}$ Important Dimensions To Check.
 * Female Pin: Copper Alloy, Gold Plated.
 * Use Panel Thickness Max: 6.0mm

| | | |
|-----------|--|--|
| UNIT: mm | | |
| TOLERANCE | | |
| ±0.5mm | | |

| | | | |
|-----------------------------------|----------------|--|--|
| TITLE FLO IB R PANEL CONNECTOR | | | |
| SCALE 1:1 | SIZE A4 | SHEET 1 OF 2 | |
| REV. A | WC-REV. A.1 | $\text{\textcircled{C}}$: Inspection item | |

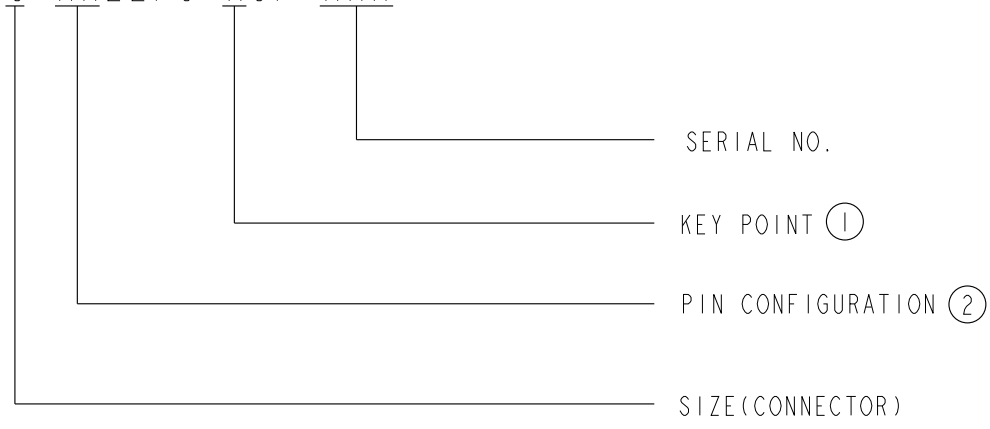
Amphenol LTW
 安費諾亮泰企業股份有限公司

| | | |
|------------------------------|---------------------|--------------------|
| ITEM NO | DRAWN BY Ouyang | DATE 2019-05-16 |
| DWG NO FLBC-XXEFS-XCP-XXX | CHECKED BY Jerry | DATE 2019-05-16 |
| CUSTOMER ALTW | APPROVED BY Fred | DATE 2019-05-16 |

THIS DOCUMENT IS SUBJECT TO CHANGE WITHOUT NOTICE. IT IS CONFIDENTIAL AND A PROPERTY OF Amphenol LTW. DISCLOSURE TO THIRD PARTY HAS TO BE AUTHORIZED BY Amphenol LTW.

| REV. | DESCRIPTION |
|------|-------------|
| | |
| | |
| | |

FLBC-XXEFS-XCP-XXX



KEY POINT ①

| CODE | G | A | B | C | J | F |
|---------|----|-----|-----|-----|-----|------|
| GRAPHIC | 0° | 30° | 60° | 90° | 45° | 155° |

PIN CONFIGURATION (Solder Definition) ②

| | | | | | | | | | | |
|---------|-------|-------|-------|-------|-------|-------|-------|--------|--------|--------|
| GRAPHIC | | | | | | | | | | |
| | 2 PIN | 3 PIN | 4 PIN | 5 PIN | 6 PIN | 7 PIN | 8 PIN | 10 PIN | 14 PIN | 16 PIN |

| | | |
|-----------|--|--|
| UNIT:mm | | |
| TOLERANCE | | |
| ±0.5mm | | |

| | | |
|-----------------------------------|----------------|-------------------|
| TITLE FLO IB R PANEL CONNECTOR | | |
| SCALE 1:1 | SIZE A4 | SHEET 2 OF 2 |
| REV. A | WC-REV. A.1 | : Inspection item |

Amphenol LTW
安費諾亮泰企業股份有限公司

| | | |
|-------------------------------|---------------------|--------------------|
| ITEM NO. | DRAWN BY Ouyang | DATE 2019-05-16 |
| DWG NO. FLBC-XXEFS-XCP-XXX | CHECKED BY Jerry | DATE 2019-05-16 |
| CUSTOMER ALTW | APPROVED BY Fred | DATE 2019-05-16 |