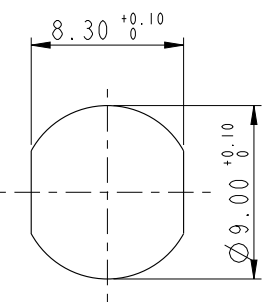
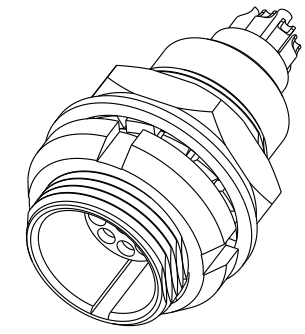
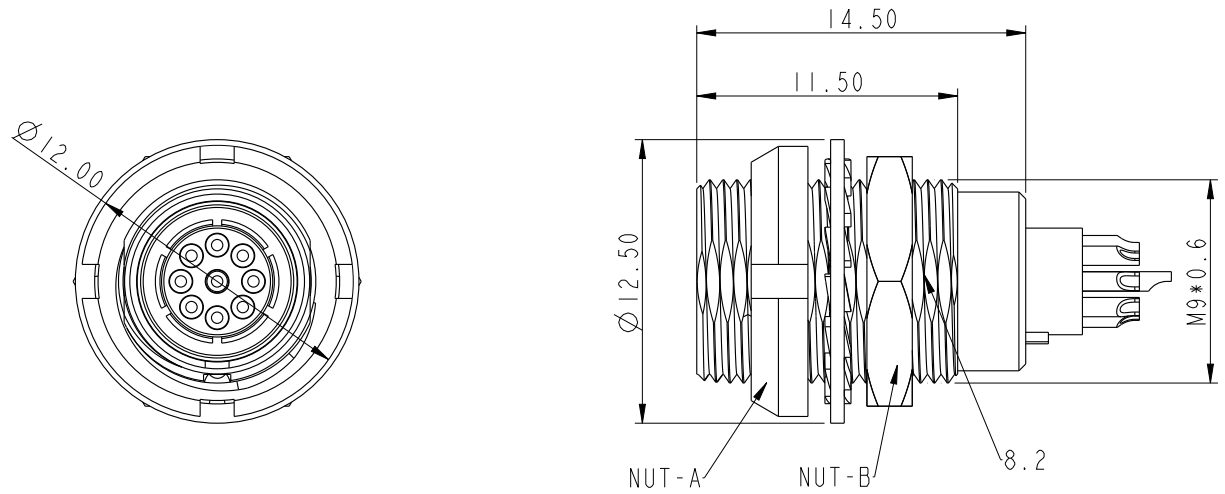
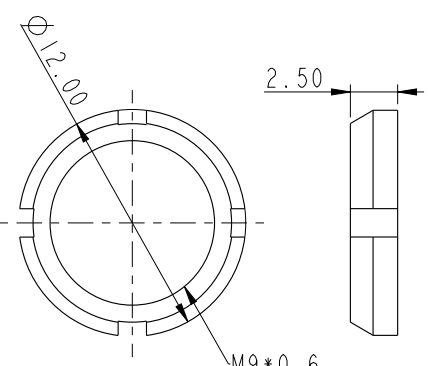


THIS DOCUMENT IS SUBJECT TO CHANGE WITHOUT NOTICE. IT IS CONFIDENTIAL AND A PROPERTY OF Amphenol LTW. DISCLOSURE TO THIRD PARTY HAS TO BE AUTHORIZED BY Amphenol LTW.

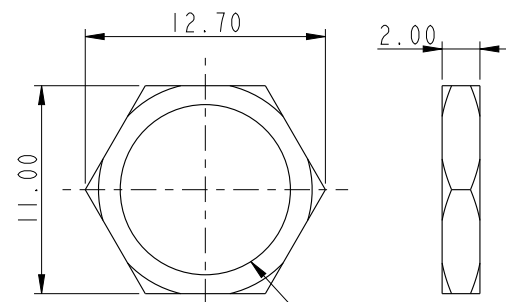
REV.	DESCRIPTION



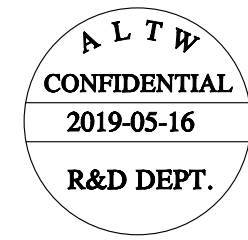
Recommended
Panel Cut-Out
Rear View



NUT-A



NUT-B



- Notes:
- * Important Dimensions To Check.
 - * Female Pin: Copper Alloy, Gold Plated.
 - * Use Panel Thickness Max: 4.5mm

UNIT: mm		
TOLERANCE		
±0.5mm		

TITLE FLO 0B TWO NUT PANEL CONNECTOR			
SCALE 1:1	SIZE A4	SHEET 1 OF 2	
REV. A	WC-REV. A.1	Inspection item	

Amphenol LTW
安費諾亮泰企業股份有限公司

ITEM NO	DWG NO
	FLBB-XXECS-XCP-XXX
CUSTOMER	
ALTW	

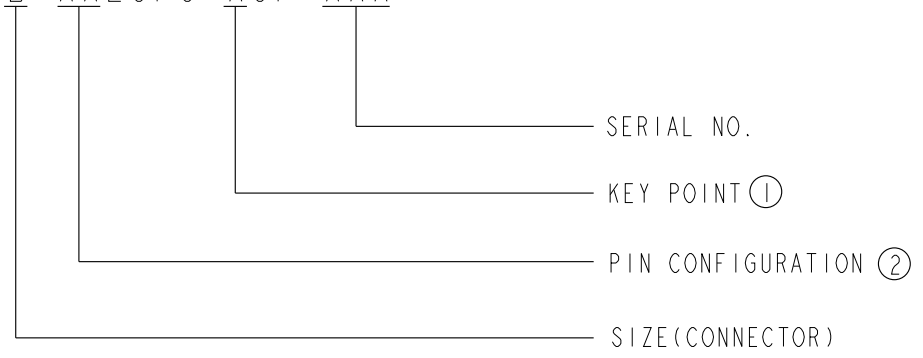
DRAWN BY	CHECKED BY
Ouyang	Jerry
APPROVED BY	
Fred	

DATE	DATE
2019-05-16	2019-05-16
DATE	DATE
2019-05-16	2019-05-16

THIS DOCUMENT IS SUBJECT TO CHANGE WITHOUT NOTICE. IT IS CONFIDENTIAL AND A PROPERTY OF Amphenol LTW. DISCLOSURE TO THIRD PARTY HAS TO BE AUTHORIZED BY Amphenol LTW.

REV.	DESCRIPTION

FLBB-XXECFS-XCP-XXX



KEY POINT ①

CODE	G	A	B	C	J	F
	0°	30°	60°	90°	45°	155°
GRAPHIC						

PIN CONFIGURATION (Solder Definition) ②

GRAPHIC							
	2 PIN	3 PIN	4 PIN	5 PIN	6 PIN	7 PIN	9 PIN

UNIT: mm		
TOLERANCE	±0.5mm	

TITLE FLO 0B TWO NUT PANEL CONNECTOR		
SCALE 1:1	SIZE A4	SHEET 2 OF 2
REV. A	WC-REV. A.1	Inspection item

Amphenol LTW
安費諾亮泰企業股份有限公司

ITEM NO.	DRAWN BY Ouyang	DATE 2019-05-16
DWG NO. FLBB-XXECFS-XCP-XXX	CHECKED BY Jerry	DATE 2019-05-16
CUSTOMER ALTW	APPROVED BY Fred	DATE 2019-05-16