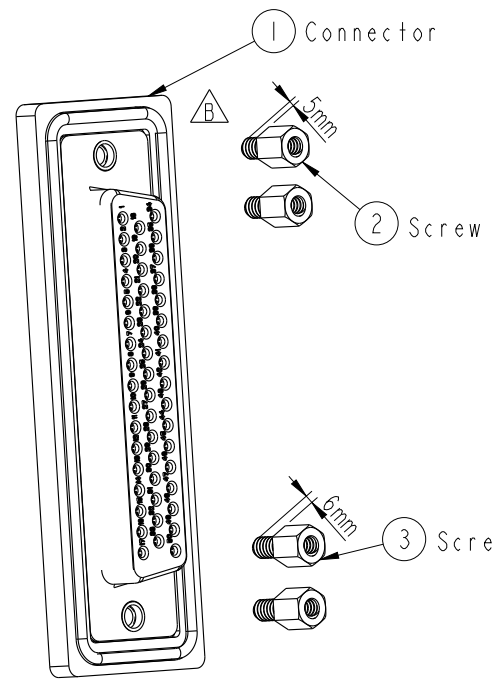
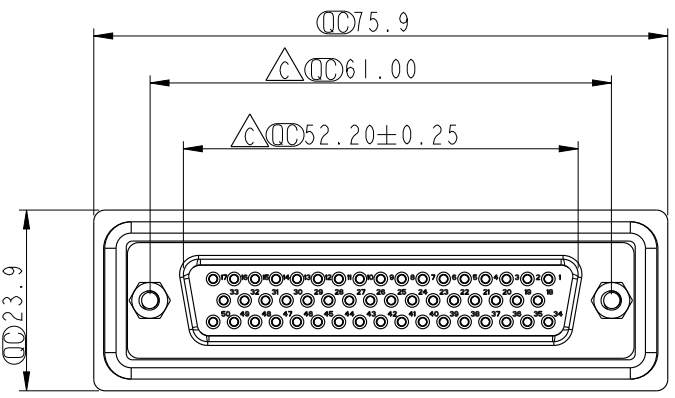
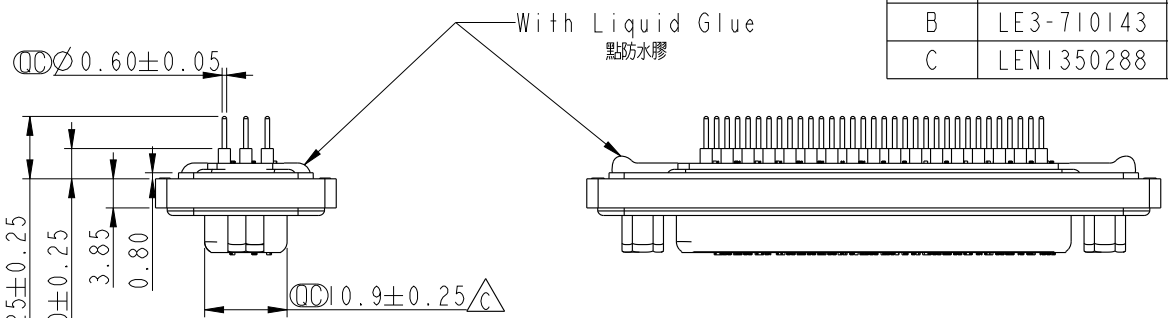


THIS DOCUMENT IS SUBJECT TO CHANGE WITHOUT NOTICE. IT IS CONFIDENTIAL AND A PROPERTY OF Amphenol LTW. DISCLOSURE TO THIRD PARTY HAS TO BE AUTHORIZED BY Amphenol LTW.

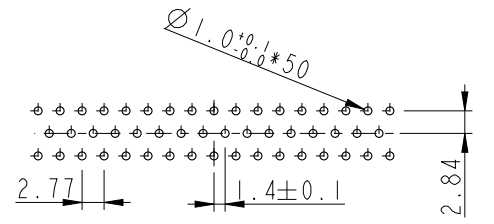
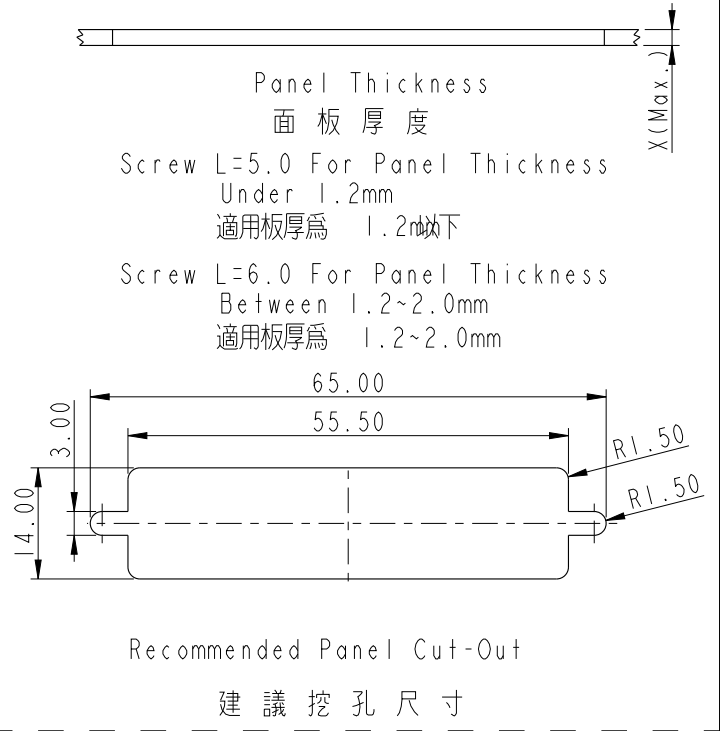
REV.	ECN NO.	DATE	SIGN	DESCRIPTION
B	LE3-710143	2006/12/15	Gao Ling	Move O-ring to ZSE00100825
C	LEN1350288	2013/05/31	Yulong	Update the Dimension



ALTW
CONFIDENTIAL
2013-05-31
R&D DEPT.

- Note:
- * \varnothing Important Dimension.
 - * Waterproof Rate : IP67
 - * Do Mating Test After Glued
點膠後，須作對插測試
 - * $\triangle B$ D-SUB Conn. : Black Core, PBT
 - * $\triangle B$ Plastic Jacket : Black, Nylon+GF
 - * $\triangle B$ Pin : Copper Alloy , Gold Plated
 - * Ring : Light Blue, Silicone
 - * $\triangle B$ Screw : Copper Alloy, Nickel Plated, #4-40 UNC

ALTW
DCC. DEPT.
CONFIDENTIAL
2013.05.31
ISSUED



50 Pin Female Connector
PCB Pin Layout

UNIT: mm		
TOLERANCE		
.X	± 0.25	
.XX	± 0.1	
.XXX	± 0.05	
ANGLES	$\pm 1^\circ$	

TITLE D-SUB Conn. $\triangle B$ Panel Screw DB50P F Conn F Pin			
SCALE	SIZE	SHEET	OF
1:1	A4	1	1
REV.	WC-REV.	\varnothing : Inspection item	
C	A.2		

Amphenol LTW
安費諾亮泰企業股份有限公司

ITEM NO.	DRAWN BY	DATE
SDB-50PFFP-SL7001	Yulong_wang	2013-05-31
DWG NO.	CHECKED BY	DATE
SDB-50PFFP-SL7001	Victor	2013-05-31
CUSTOMER	APPROVED BY	DATE
ALTW	Maslow	2013-05-31