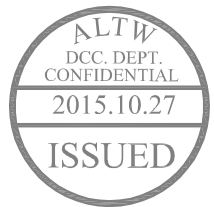
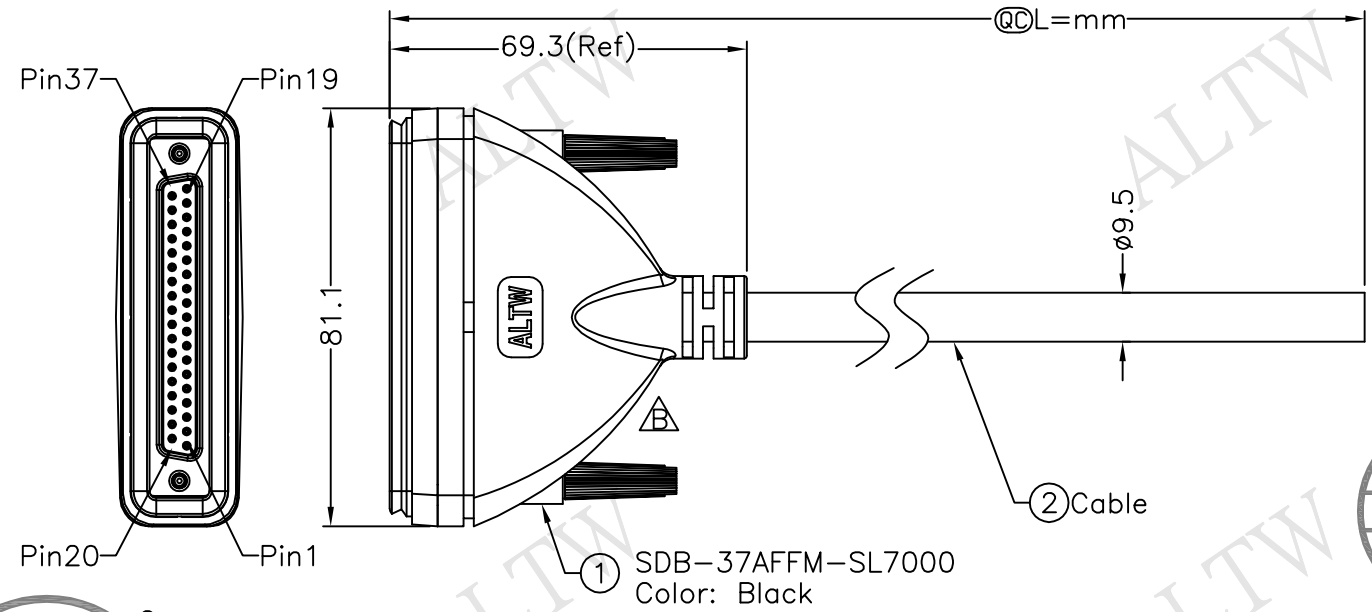
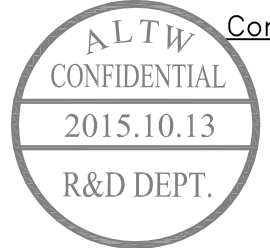


| REV. | ECN NO.         | DATE       | SIGN       | DESCRIPTION        |
|------|-----------------|------------|------------|--------------------|
| A    | Initial Release | 2007/10/15 | Robert Hsu |                    |
| B    | LEN15A0398~401  | 2015/10/13 | Ruru       | Change Logo & Note |

|   |       |                  |       |            |
|---|-------|------------------|-------|------------|
| F | 32    | Light Blue/Blue  |       |            |
|   | 31    | Light Blue/Red   |       |            |
|   | 30    | Light Blue/Black |       |            |
|   | 29    | Light Blue       |       |            |
|   | 28    | Pink/Green       |       |            |
|   | 27    | Pink/Blue        |       |            |
| E | 26    | Pink/Red         |       |            |
|   | 25    | Pink/Black       |       |            |
|   | 24    | Gray/Black       |       |            |
|   | 23    | Green/Black      |       |            |
|   | 22    | Yellow/Black     |       |            |
|   | 21    | Orange/Black     |       |            |
|   | 20    | Red/Black        |       |            |
| D | 19    | Purple/White     |       |            |
|   | 18    | Blue/White       |       |            |
|   | 17    | Green/White      |       |            |
|   | 16    | Orange/White     |       |            |
|   | 15    | Red/White        |       |            |
|   | 14    | Brown/White      |       |            |
|   | 13    | Black/White      |       |            |
|   | 12    | Light Green      |       |            |
| C | 11    | Pink             |       |            |
|   | 10    | White            |       |            |
|   | 9     | Gray             |       |            |
|   | 8     | Purple           |       |            |
|   | 7     | Blue             |       |            |
|   | 6     | Green            |       |            |
|   | 5     | Yellow           |       |            |
| B | 4     | Orange           |       |            |
|   | 3     | Red              |       |            |
|   | 2     | Brown            |       |            |
|   | 1     | Black            |       |            |
|   | Conn. | Wire Color       | Conn. | Wire Color |



SDB-37AFFM-SL7AXX  
 Color: Black  
 Note:  
 \* @C Important Dimension To Check.  
 \* Waterproof Rate: IP67  
 \* Housing: ABS, Black  
 \* Conn.: D-Sub 37 Pin, Female  
 \* Gasket: EPDM, Black  
 \* Screw: Big EPC  
 \* Cable: UL2464 37C\*24#+AL/MY+D  
 Black, PVC Jacket(UV Resistant), OD=9.5  
 \* Cable Length Tolerance: 01M: ±40mm  
 02M~05M: ±60mm  
 06M~10M: ±100mm  
 11M~30M: ±200mm  
 31M~99M: ±500mm

Note:  
 \* @C Important Dimension To Check.  
 \* Waterproof Rate: IP67  
 \* Housing: ABS, Black  
 \* Conn.: D-Sub 37 Pin, Female  
 \* Gasket: EPDM, Black  
 \* Screw: Big EPC  
 \* Cable: UL2464 37C\*24#+AL/MY+D  
 Black, PVC Jacket(UV Resistant), OD=9.5  
 \* Cable Length Tolerance: 01M: ±40mm  
 02M~05M: ±60mm  
 06M~10M: ±100mm  
 11M~30M: ±200mm  
 31M~99M: ±500mm

|           |         |
|-----------|---------|
| UNIT:mm   |         |
| TOLERANCE | ±0.5 mm |

|       |                                |       |                  |
|-------|--------------------------------|-------|------------------|
| TITLE | D-Sub Conn                     |       |                  |
|       | Cable Screw DB37P F Conn F Pin |       |                  |
| SCALE | Free                           | SHEET | 1 OF 1           |
| REV.  | B                              | SIZE  | A4               |
|       |                                | @C    | :Inspection Item |

**Amphenol LTW**  
 安費諾亮泰企業股份有限公司

|         |                   |          |             |            |
|---------|-------------------|----------|-------------|------------|
| ITEM NO | DWG NO            | CUSTOMER | DRAWN BY    | DATE       |
|         | SDB-37AFFM-SL7AXX | ALTW     | Ruru        | 2015/10/13 |
|         |                   |          | CHECKED BY  | DATE       |
|         |                   |          | Rita        | 2015/10/13 |
|         |                   |          | APPROVED BY | DATE       |
|         |                   |          | Lisa        | 2015/10/13 |

THIS DOCUMENT IS SUBJECT TO CHANGE WITHOUT NOTICE. IT IS CONFIDENTIAL AND A PROPERTY OF Amphenol LTW. DISCLOSURE TO THIRD PARTY HAS TO BE AUTHORIZED BY Amphenol LTW.