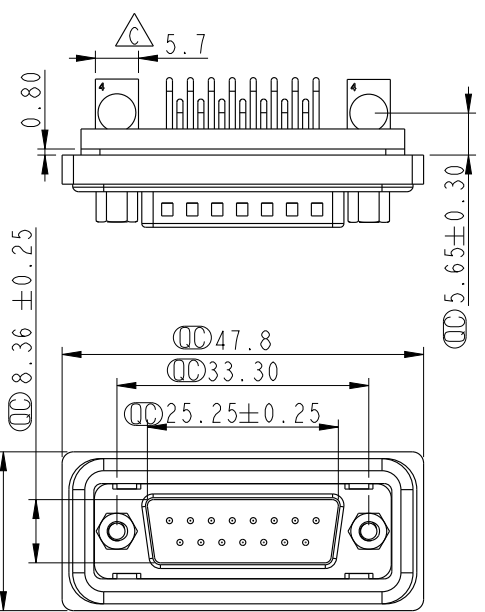
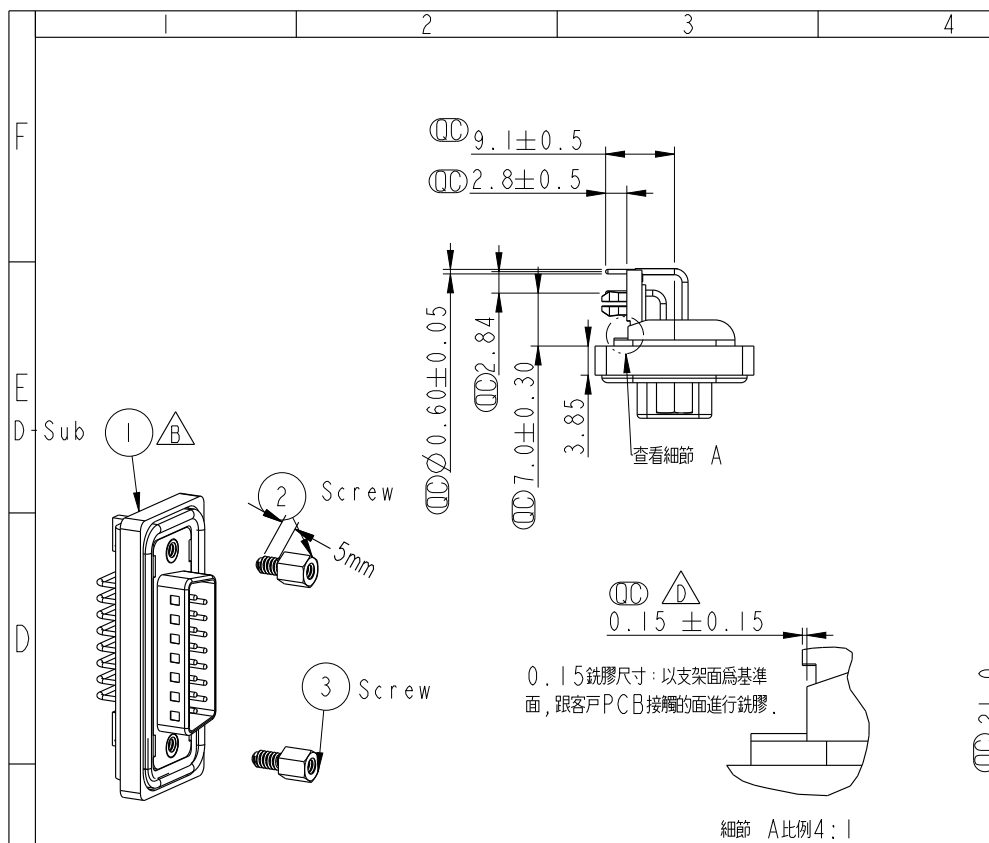


THIS DOCUMENT IS SUBJECT TO CHANGE WITHOUT NOTICE. IT IS CONFIDENTIAL AND A PROPERTY OF Amphenol LTW. DISCLOSURE TO THIRD PARTY HAS TO BE AUTHORIZED BY Amphenol LTW.

REV.	ECN NO.	DATE	SIGN	DESCRIPTION
B	LE3-710136	2006/12/14	DongYaLi	Change The Note
C	LEN1390084	2013/06/10	Tony_leng	Change Dimensions
D	C200380	2020/03/28	JC Chen	Δ XI

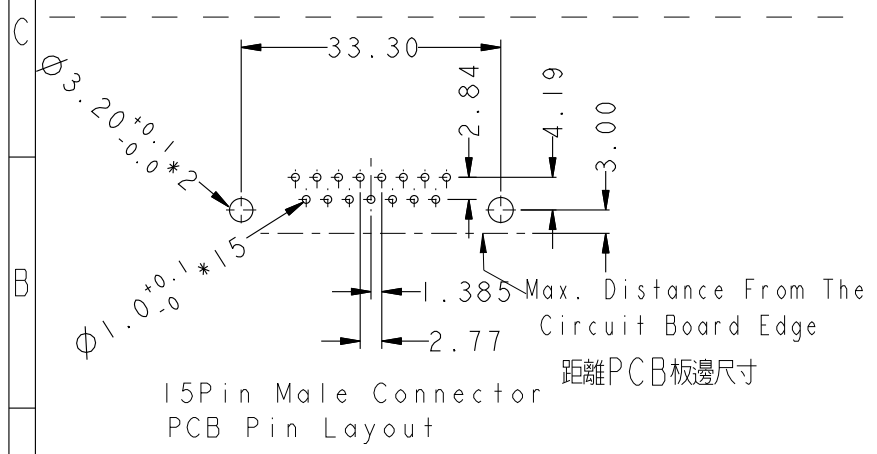


Panel Thickness
面板厚度

X (MAX.)

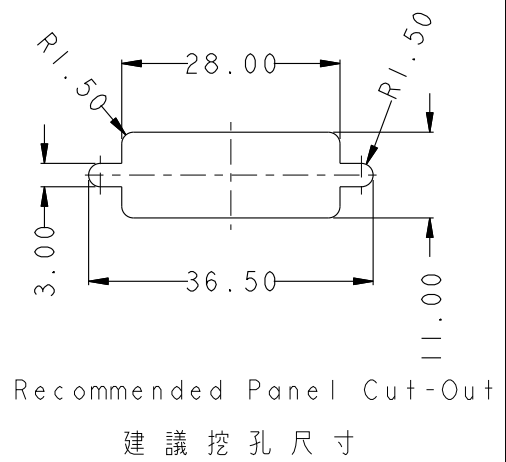
Screw L=5.0 For Panel Thickness Under 1.2mm
適用板厚 1.2mm 以下

Screw L=6.0 For Panel Thickness Between 1.2~2.0mm
適用板厚 1.2~2.0mm 以下



Note:

- * ⌀ Important Dimension.
- * Waterproof Rate : IP68
- IP68: 1M of depth of water 24 hours (防水等級: IP68) (IP68: 1米水深24小時)
- * Do Mating Test After Glued
點膠後, 須作對插測試
- * D-SUB Conn. : Black Core, PBT
- * Plastic Jacket : Black, Nylon+GF
- * Pin: Copper Alloy, Gold Plated
- * Ring: Light Blue, Silicone
- * Screw: Copper Alloy, Nickel Plated, #4-40 UNC
- * The 90° Board Lock Needs To Connect The Iron Shell
L型支架需接鐵殼



UNIT: mm		TITLE DB15/M Conn., Panel, PCB 90 Add Board Lock
TOLERANCE .X ±0.25 .XX ±0.1 .XXX ±0.05 ANGLES ±1°	SCALE 1:1	SIZE A4
	REV. D	SHEET 1 OF 1
	WC-REV. A.4	Ⓞ: Inspection item

Amphenol LTW
安費諾亮泰企業股份有限公司

ITEM NO. SDB-15PMMP-SB8001	DRAWN BY SamChang	DATE 2013-06-10
DWG NO. SDB-15PMMP-SB8001	CHECKED BY Yulong	DATE 2013-06-10
CUSTOMER ALTW	APPROVED BY Victor	DATE 2013-06-10