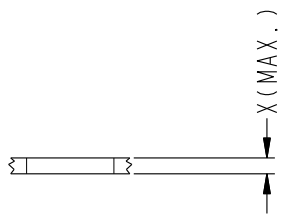
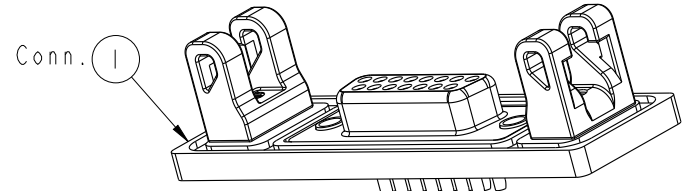
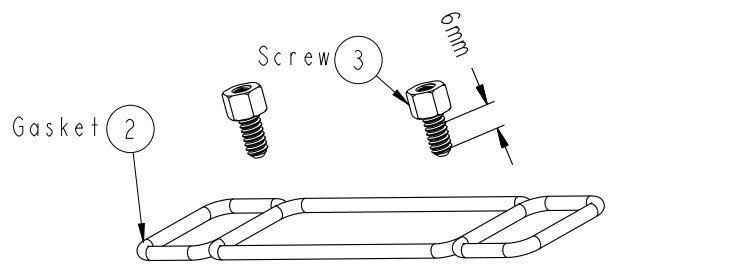
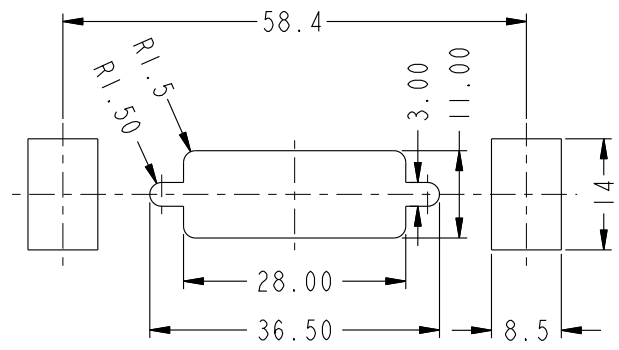
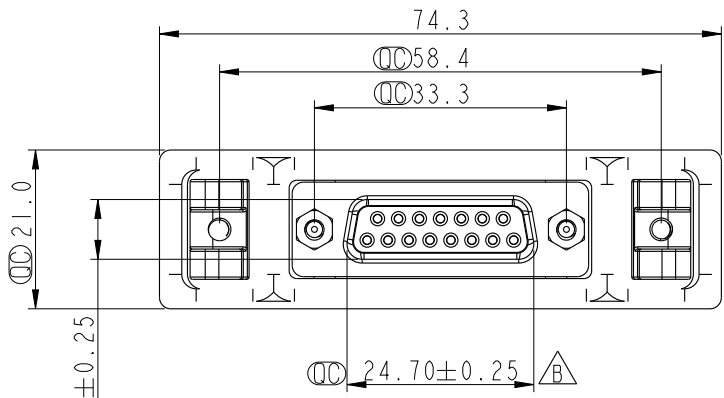
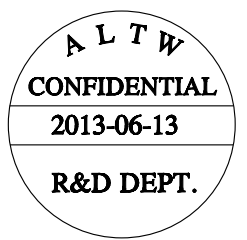
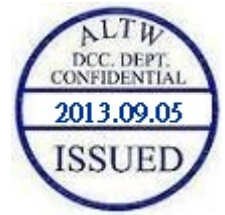


REV.	ECN NO.	DATE	SIGN	DESCRIPTION
B	LEN1390092	2013/06/13	Tony_leng	Change 24.66 To 24.70

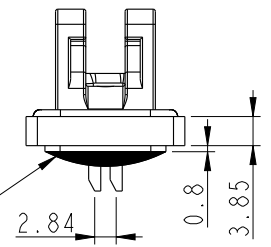
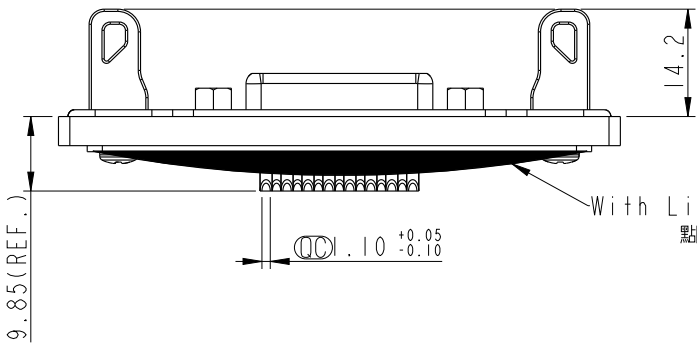


PANEL THICKNESS
Screw L=6.0 For Panel Thickness
Between 1.2~2.0mm



RECOMMENDED PANEL CUT-OUT

- NOTE:
- * \varnothing Important Dimension.
 - * Materials:
Panel : Zinc
Panel Link : Zinc
Screw : Stainless, #4-40 UNC
O-Ring : Silicone Black
Insulator : PBT
Shell : Cold Rolled Steel
Contact : Copper Alloy
Nut : Copper Alloy
 - * Finishes:
Panel : Nickel Plated
Panel Link : Nickel Plated
Nut : Nickel Plated
Shell : Nickel Plated
Contact : Gold Flash
 - * Waterproof Rate : IP68
IP68: 1M of depth of water 24 hours
 - * Applicable Wire Range: 22AWG-26AWG



UNIT : mm		
TOLERANCE	.X ±0.25	
	.XX ±0.1	
	.XXX ±0.05	
ANGLES	±1°	

TITLE D-SUB CONN PANEL QUICK DB15P F CONN F PIN			
SCALE 1:1	SIZE A4	SHEET 1 OF 1	
REV. B	WC-REV. A.4	\varnothing : Inspection item	

Amphenol LTW
安費諾亮泰企業股份有限公司

ITEM NO. SDB-15PFFS-QL8001	DRAWN BY Tony_leng	DATE 2013-06-13
DWG NO. SDB-15PFFS-QL8001	CHECKED BY Yulong	DATE 2013-06-13
CUSTOMER ALTW	APPROVED BY Victor	DATE 2013-06-13

THIS DOCUMENT IS SUBJECT TO CHANGE WITHOUT NOTICE. IT IS CONFIDENTIAL AND A PROPERTY OF AMPHENOL LTW. DISCLOSURE TO THIRD PARTY HAS TO BE AUTHORIZED BY AMPHENOL LTW.