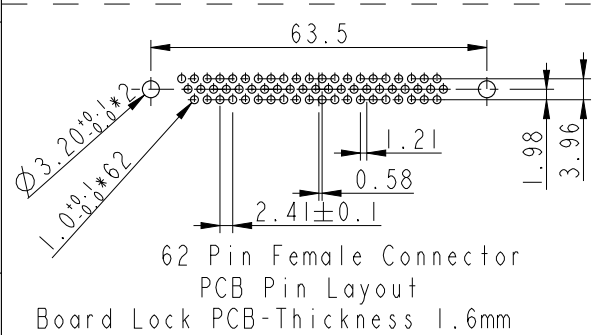
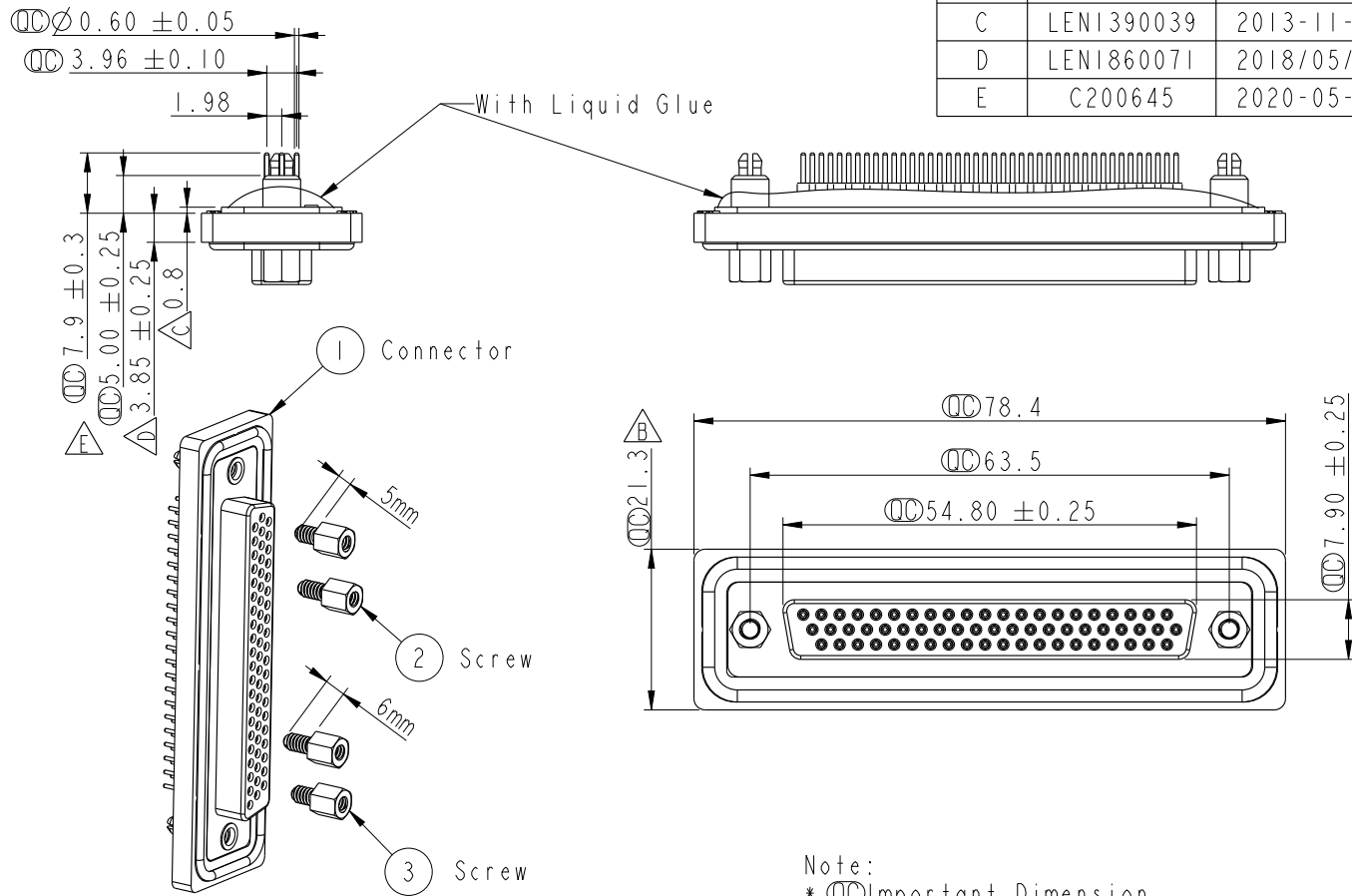


REV.	ECN NO.	DATE	SIGN	DESCRIPTION
C	LEN1390039	2013-11-13	Sam	Modify Dimension
D	LEN1860071	2018/05/10	Richard	Modify Dimension
E	C200645	2020-05-14	Peng	△EXI



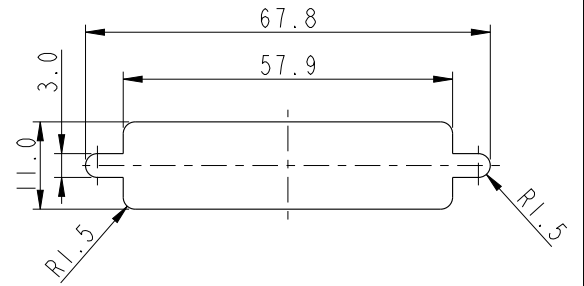
- Note:
- * ⌀ Important Dimension.
 - * Waterproof Rate : IP67
 - * Do Mating Test After Glued
點膠後，須作對插測試
 - * HD-SUB Conn. : Black Core,PBT
 - * Plastic Jacket : Black,Nylon+GF
 - * Female Pin : Copper Alloy , Gold Plated
 - * Ring : Light Blue,Silicone
 - * Screw : Copper Alloy,Nickel Plated,
#4-40 UNC
 - * The 180° Board Lock Needs
To Connect The Iron Shell
180° 型支架需接鐵殼



Panel Thickness
面板厚度

Screw L=5.0 For Panel Thickness
Under 1.2mm
適用板厚為 1.2mm 以下

Screw L=6.0 For Panel Thickness
Between 1.2~2.0mm
適用板厚為 1.2~2.0mm



Recommended Panel Cut-Out
建議控孔尺寸

UNIT:mm			TITLE HD-Sub Conn. 62 Pins PCB Type For Panel,PCB 180° Board Lock			
TOLERANCE ±0.5 mm	SCALE 1:1	SIZE A4	SHEET 1	OF 1	REV. E	
	WC-REV. B.2	⌀: Inspection item				

Amphenol LTW
安費諾亮泰企業股份有限公司

ITEM NO HDB-62PFFP-SA7001	DRAWN BY Richard	DATE 2018-05-10
DWG NO HDB-62PFFP-SA7001	CHECKED BY Neo	DATE 2018-05-10
CUSTOMER ALTW	APPROVED BY Max	DATE 2018-05-10