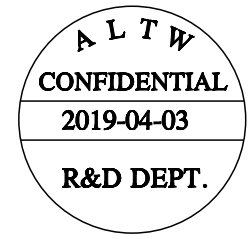
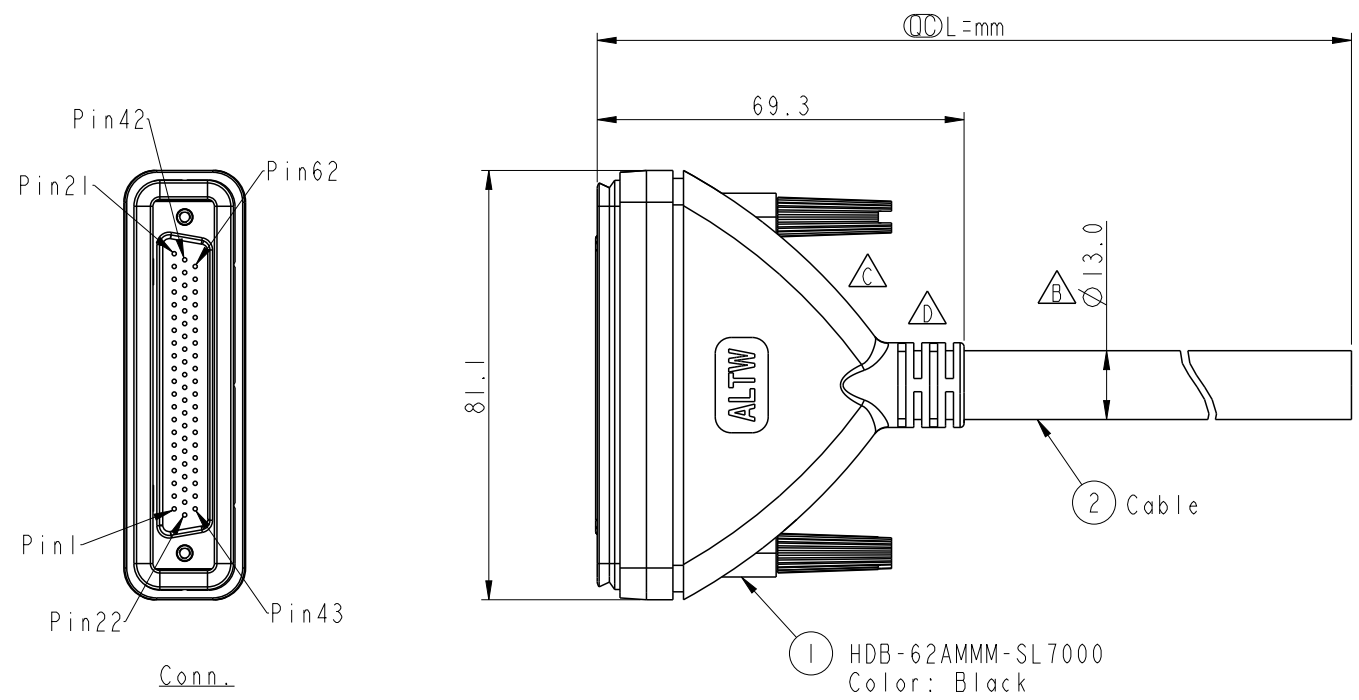


THIS DOCUMENT IS SUBJECT TO CHANGE WITHOUT NOTICE. IT IS CONFIDENTIAL AND A PROPERTY OF AMPHENOL LTW. DISCLOSURE TO THIRD PARTY HAS TO BE AUTHORIZED BY AMPHENOL LTW.

| REV. | ECN NO. | DATE | SIGN | DESCRIPTION |
|------|---------------|------------|-----------|-----------------------|
| B | LEN-040111~14 | 2010/04/12 | Tao-Cheng | Change Cable OD |
| C | LEN15A0226~29 | 2015/10/13 | Jason.Yu | Update LOGO & Title |
| D | C190397 | 2019/04/03 | Siou | Change SR Appearance. |



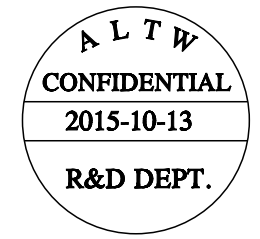
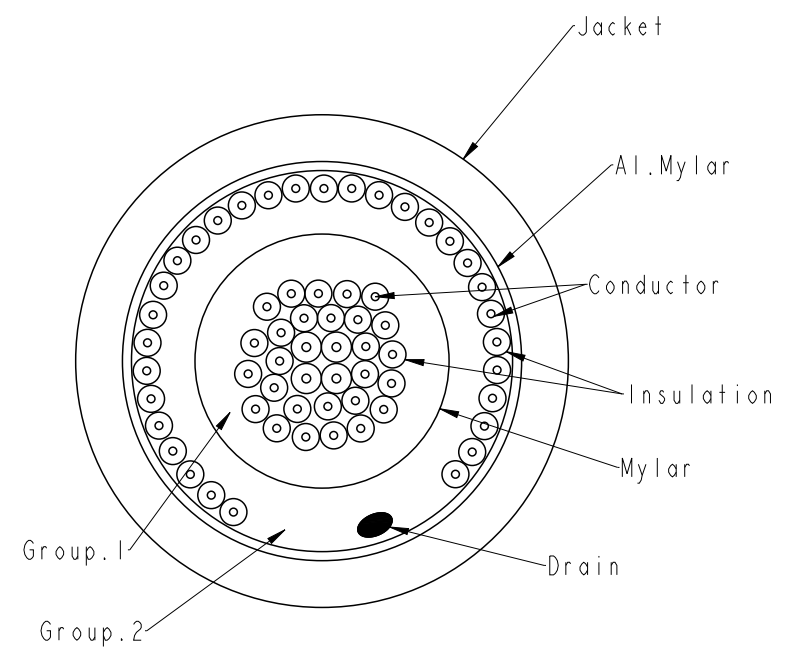
HDB-62AMMM-SL7AXX
 XX : 01~99Meters
 01 : 01Meters
 02 : 02Meters
 ...
 99 : 99Meters
 Cable Length(L): 01~99Meters

- Note:
- * (CC) Important Dimension To Check.
 - * Waterproof Rate: IP67
 - * Housing: ABS, Black
 - * Conn.: D-Sub 62 Pin, Male
 - * Gasket: EPDM, Black
 - * Screw: Big EPC
 - * Cable: UL2464 (3IC*26#+MY)+3IC*26#+AL/MY+D, PVC Jacket(UV Resistant), OD=13.0, Black
 - * Cable Length Tolerance: 1M~10M±5%mm, 11M~99M±500mm.

| | | | | | | | | |
|----------------------------------|----------------------------------------------------------------|----------------|----------------------------------------------------------------------------------------------------|--|-----------------------|-----------------------------|---------------------|--------------------|
| UNIT: mm TOLERANCE ±0.5 mm | TITLE △ HD SUB 62P M CONN CABLE SCREW HD62P M CONN M PIN | | <h1 style="text-align: center;">Amphenol LTW</h1> <p style="text-align: center;">安費諾亮泰企業股份有限公司</p> | | ITEM NO | DRAWN BY | DATE | |
| | SCALE 7:10 | SIZE A4 | | | SHEET 1 OF 2 | DWG NO HDB-62AMMM-SL7AXX | CHECKED BY Eagle | DATE 2019/04/03 |
| | REV. D | WC-REV. A.1 | | | (CC): Inspection item | CUSTOMER ALTW | APPROVED BY Neo | DATE 2019/04/03 |

THIS DOCUMENT IS SUBJECT TO CHANGE WITHOUT NOTICE. IT IS CONFIDENTIAL AND A PROPERTY OF Amphenol LTW. DISCLOSURE TO THIRD PARTY HAS TO BE AUTHORIZED BY Amphenol LTW.

| | 1 | 2 | 3 | 4 | 5 | 6 | 7 | 8 | |
|-----------|----------------|-----------------------|------------------|-----------------------------------------------------|------------------|---|---|---|--|
| | | Shell | Drain | 地線 | | | | | |
| F | 31 | Light Blue/Red 亮藍/紅 | 62 | Light Blue/Red 亮藍/紅 | | | | | |
| | 30 | Light Blue/Black 亮藍/黑 | 61 | Light Blue/Black 亮藍/黑 | | | | | |
| | 29 | Light Blue 亮藍 | 60 | Light Blue 亮藍 | | | | | |
| E | 28 | Pink/Green 粉紅/綠 | 59 | Pink/Green 粉紅/綠 | | | | | |
| | 27 | Pink/Blue 粉紅/藍 | 58 | Pink/Blue 粉紅/藍 | | | | | |
| | 26 | Pink/Red 粉紅/紅 | 57 | Pink/Red 粉紅/紅 | | | | | |
| | 25 | Pink/Black 粉紅/黑 | 56 | Pink/Black 粉紅/黑 | | | | | |
| | 24 | Gray/Black 灰/黑 | 55 | Gray/Black 灰/黑 | | | | | |
| | 23 | Green/Black 綠/黑 | 54 | Green/Black 綠/黑 | | | | | |
| | 22 | Yellow/Black 黃/黑 | 53 | Yellow/Black 黃/黑 | | | | | |
| | 21 | Orange/Black 橘/黑 | 52 | Orange/Black 橘/黑 | | | | | |
| | D | 20 | Red/Black 紅/黑 | 51 | Red/Black 紅/黑 | | | | |
| | | 19 | Purple/White 紫/白 | 50 | Purple/White 紫/白 | | | | |
| 18 | | Blue/White 藍/白 | 49 | Blue/White 藍/白 | | | | | |
| 17 | | Green/White 綠/白 | 48 | Green/White 綠/白 | | | | | |
| 16 | | Orange/White 橘/白 | 47 | Orange/White 橘/白 | | | | | |
| 15 | | Red/White 紅/白 | 46 | Red/White 紅/白 | | | | | |
| 14 | | Brown/White 棕/白 | 45 | Brown/White 棕/白 | | | | | |
| 13 | | Black/White 黑/白 | 44 | Black/White 黑/白 | | | | | |
| C | | 12 | Light Green 亮綠 | 43 | Light Green 亮綠 | | | | |
| | | 11 | Pink 粉紅 | 42 | Pink 粉紅 | | | | |
| | 10 | White 白 | 41 | White 白 | | | | | |
| | 9 | Gray 灰 | 40 | Gray 灰 | | | | | |
| | 8 | Purple 紫 | 39 | Purple 紫 | | | | | |
| | 7 | Blue 藍 | 38 | Blue 藍 | | | | | |
| | 6 | Green 綠 | 37 | Green 綠 | | | | | |
| | 5 | Yellow 黃 | 36 | Yellow 黃 | | | | | |
| | B | 4 | Orange 橘 | 35 | Orange 橘 | | | | |
| | | 3 | Red 紅 | 34 | Red 紅 | | | | |
| 2 | | Brown 棕 | 33 | Brown 棕 | | | | | |
| 1 | | Black 黑 | 32 | Black 黑 | | | | | |
| A | Conn. | Wire Color | Conn. | Wire Color | | | | | |
| | Group1 Pin Out | | Group1 Pin Out | | | | | | |
| | UNIT:mm | | TITLE | HD SUB 62P M CONN CABLE SCREW HD62P M CONN M PIN | | | | | |
| TOLERANCE | | SCALE | SIZE | SHEET | OF | | | | |
| ±0.5 mm | | 7:10 | A4 | 2 | 2 | | | | |
| REV. | D | WC-REV. | A.1 | ☉: Inspection item | | | | | |



Amphenol LTW
安費諾亮泰企業股份有限公司

| | | |
|----------|-------------|------------|
| ITEM NO | DRAWN BY | DATE |
| DWG NO | CHECKED BY | DATE |
| CUSTOMER | APPROVED BY | DATE |
| ALTW | Siou | 2019/04/03 |
| | Eagle | 2019/04/03 |
| | Neo | 2019/04/03 |