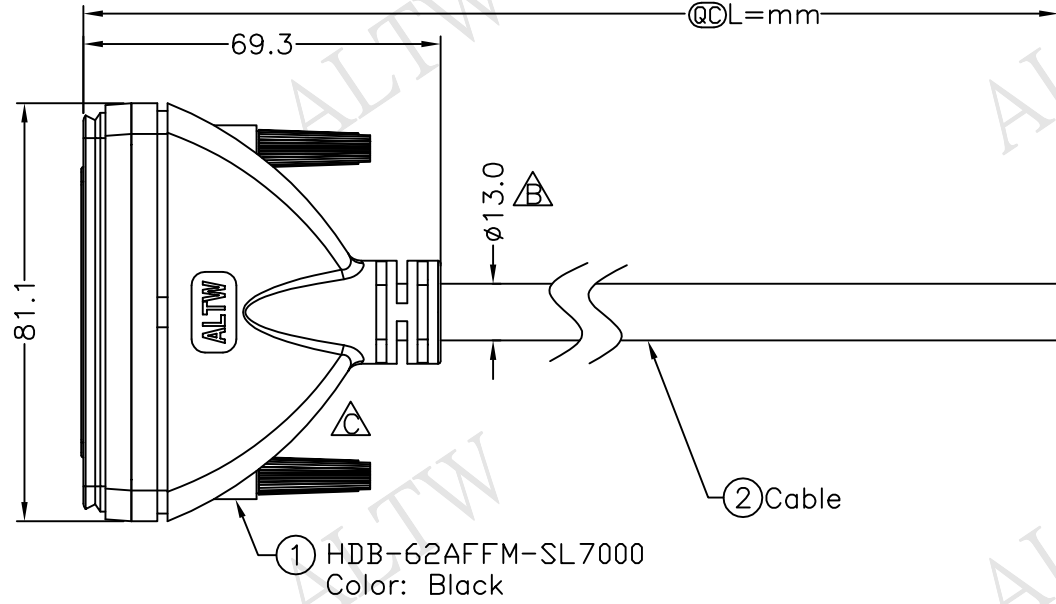
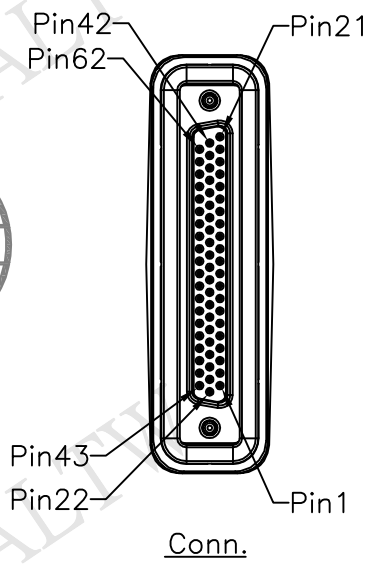
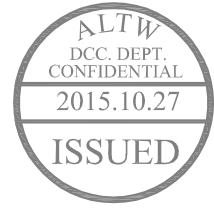


REV.	ECN NO.	DATE	SIGN	DESCRIPTION
A	Initial Release	2007/11/23	Robert Hsu	
B	LEN12B0011~14	2012/10/31	Ruru	Modify Note.
C	LEN15A0393~96	2015/10/13	Ruru	Change Logo & Note

Initial Release



HDB-62AFFM-SL7AXX  
 XX :01~99Meters  
 01 :01Meters  
 02 :02Meters  
 :  
 :  
 99 :99Meters  
 Cable Length(L):01~99Meters

- Note:
- \* @C Important Dimension To Check.
  - \* Waterproof Rate: IP67
  - \* Housing: ABS, Black
  - \* Conn.: D-Sub 62 Pin, Female
  - \* Gasket: EPDM, Black
  - \* Screw: Big EPC
  - △\* Cable: UL2464 (31C\*26#+MY)+31C\*26#+AL/MY+D, PVC Jacket(UV Resistant), OD=13.0, Black.
  - △\* Cable Length Tolerance: 01M: ±40mm  
 02M~05M: ±60mm  
 06M~10M: ±100mm  
 11M~30M: ±200mm  
 31M~99M: ±500mm

UNIT:mm	
TOLERANCE	±0.5 mm

TITLE D-Sub Conn	
Cable Screw DB62P F Conn F Pin	
SCALE Free	SHEET 1 OF 2
REV. C	SIZE A4
QC :Inspection Item	

**Amphenol LTW**  
 安費諾亮泰企業股份有限公司

ITEM NO	
DWG NO	HDB-62AFFM-SL7AXX
CUSTOMER	ALTW

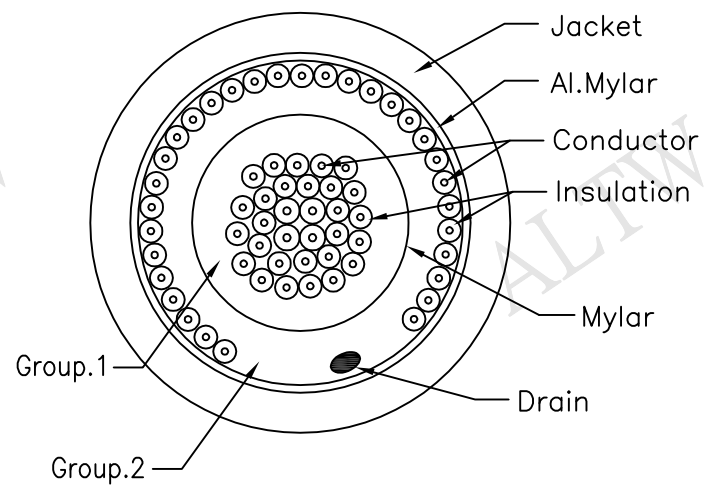
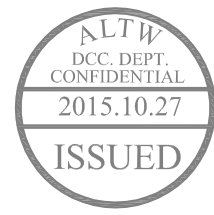
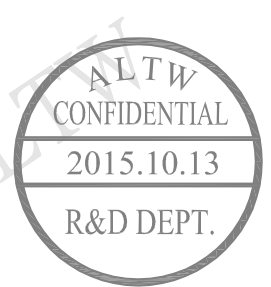
DRAWN BY	Ruru	DATE	2015/10/13
CHECKED BY	Rita	DATE	2015/10/13
APPROVED BY	Lisa	DATE	2015/10/13

THIS DOCUMENT IS SUBJECT TO CHANGE WITHOUT NOTICE. IT IS CONFIDENTIAL AND A PROPERTY OF Amphenol LTW. DISCLOSURE TO THIRD PARTY HAS TO BE AUTHORIZED BY Amphenol LTW.

A B C D E F

1 2 3 4 5 6 7 8

		Shell	Drain	
F	31	Light Blue/Red	62	Light Blue/Red
	30	Light Blue/Black	61	Light Blue/Black
	29	Light Blue	60	Light Blue
	28	Pink/Green	59	Pink/Green
	27	Pink/Blue	58	Pink/Blue
	26	Pink/Red	57	Pink/Red
	25	Pink/Black	56	Pink/Black
	24	Gray/Black	55	Gray/Black
E	23	Green/Black	54	Green/Black
	22	Yellow/Black	53	Yellow/Black
	21	Orange/Black	52	Orange/Black
	20	Red/Black	51	Red/Black
	19	Purple/White	50	Purple/White
	18	Blue/White	49	Blue/White
D	17	Green/white	48	Green/white
	16	Orange/White	47	Orange/White
	15	Red/White	46	Red/White
	14	Brown/White	45	Brown/White
	13	Black/White	44	Black/White
	12	Light Green	43	Light Green
	11	Pink	42	Pink
C	10	White	41	White
	9	Gray	40	Gray
	8	Purple	39	Purple
	7	Blue	38	Blue
	6	Green	37	Green
B	5	Yellow	36	Yellow
	4	Orange	35	Orange
	3	Red	34	Red
	2	Brown	33	Brown
	1	Black	32	Black
	Conn.	Wire Color	Conn.	Wire Color
	Group1 Pin Out		Group2 Pin Out	



UNIT:mm		TITLE	D-Sub Conn
TOLERANCE	±0.5 mm		Cable Screw DB62P F Conn F Pin
SCALE	Free	SHEET	2 OF 2
REV.	C	SIZE	A4
			QC :Inspection Item

**Amphenol LTW**  
安費諾亮泰企業股份有限公司

ITEM NO	DRAWN BY	Ruru	DATE	2015/10/13
DWG NO	CHECKED BY	Rita	DATE	2015/10/13
CUSTOMER	APPROVED BY	Lisa	DATE	2015/10/13

THIS DOCUMENT IS SUBJECT TO CHANGE WITHOUT NOTICE. IT IS CONFIDENTIAL AND A PROPERTY OF Amphenol LTW. DISCLOSURE TO THIRD PARTY HAS TO BE AUTHORIZED BY Amphenol LTW.