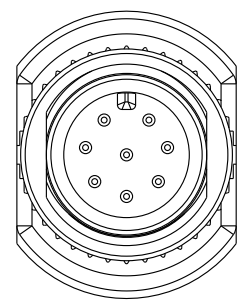
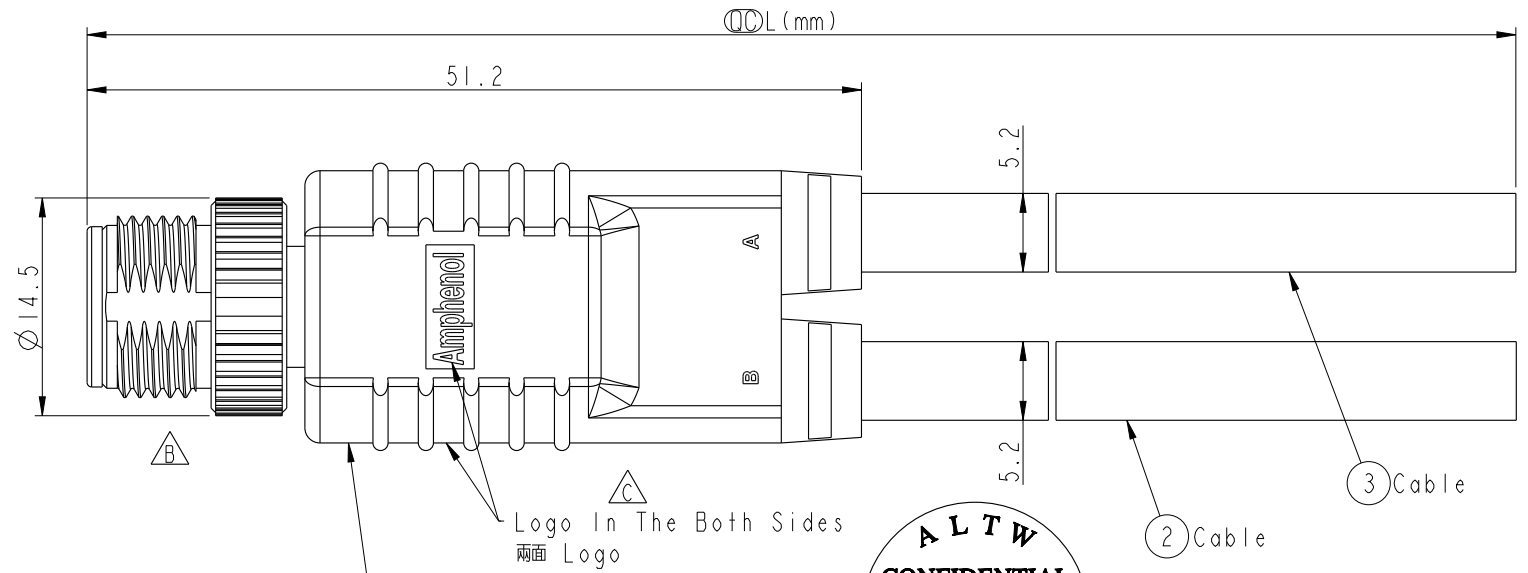


THIS DOCUMENT IS SUBJECT TO CHANGE WITHOUT NOTICE. IT IS CONFIDENTIAL AND A PROPERTY OF Amphenol LTW. DISCLOSURE TO THIRD PARTY HAS TO BE AUTHORIZED BY Amphenol LTW.

REV.	ECN NO.	DATE	SIGN	DESCRIPTION
B	LE3-9A0081~84	2009/10/13	Li Xiu Zhi	Change Screw Nut
C	LEN13B0228~31	2013/08/08	Cary	Change Logo From LTW To Amphenol

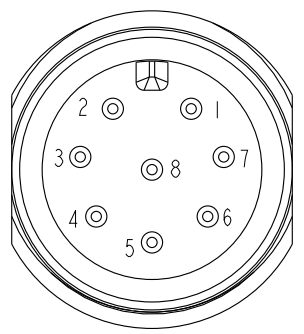


Conn.



① SS-080000-M00-YS000
Color: Black

SS-080000-M00-YSBXX



Pin Assignments
Front View

8	Red	紅	Red	紅
7	Blue	藍	Blue	藍
6	Pink	粉	Pink	粉
5	Grey	灰	Grey	灰
4	Yellow	黃	Yellow	黃
3	Green	綠	Green	綠
2	Brown	棕	Brown	棕
1	White	白	White	白
		A	B	
Conn.		Wire Color		
		Pin Out		

XX: 01~99Meters
01: 01Meter
02: 02Meters
...
99: 99Meters
Cable Length(L): 01~99Meters

Note:
 * (L) Important Dimension To Check.
 * Waterproof Rate: IP68
 IP68: 1M Depth Of Water In 24hours.
 * Housing: PU, Black
 * Male Pin: Copper Alloy, Gold Plated.
 * Screw Nut: ZN-ZDC-3, Nicked Plated
 * Cable: 24AWG*8C+P PU Jacket VW-1
 Black ,OD=5.2
 * Cable Length Tolerance: 01M: ±40mm
 02M~05M: ±60mm
 06M~10M: ±100mm
 11M~30M: ±200mm
 31M~99M: ±500mm

UNIT:mm
TOLERANCE
X=0.5mm

TITLE			
M12 Series Sensor Conn. 8Pin Male Conn. Male Pin			
SCALE	SIZE	SHEET	OF
2:1	A4	1	1
REV.	WC-REV.	QC: Inspection item	
C	A.1		

Amphenol LTW
安費諾亮泰企業股份有限公司

ITEM NO	DRAWN BY	DATE
	Cary_liu	2013-08-08
DWG NO	CHECKED BY	DATE
SS-080000-M00-YSBXX	Mafei	2013-08-08
CUSTOMER	APPROVED BY	DATE
ALTW	Victor	2013-08-08