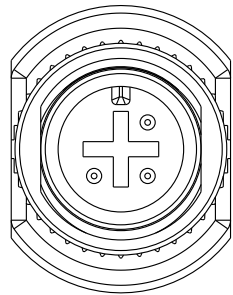
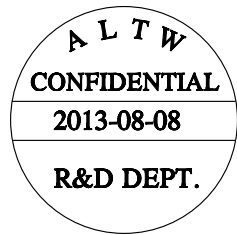
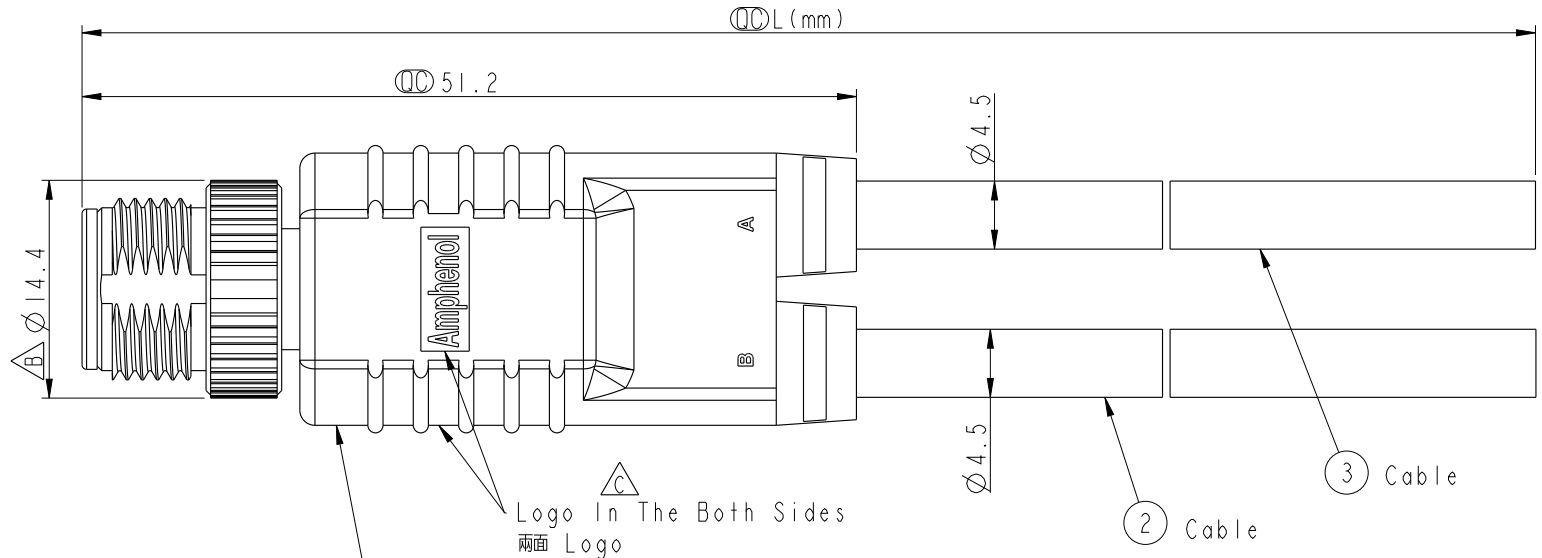


REV.	ECN NO.	DATE	SIGN	DESCRIPTION
B	LEN1130160-163	2011/02/25	Jiang Jun Hua	REF. TO ECR/N.NOTE.
C	LEN13B0198-201	2013/08/08	Cary	Change Logo From LTW To Amphenol



Conn.

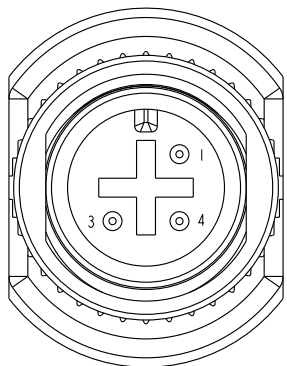


① SS-030000-M00-YS000
Color: Black
SS-030000-M00-YSBXX

XX: 01~99Meter
01: 01Meter
02: 02Meters
:
99: 99Meters

Cable Length(L): 01~99Meters

- Note:
- * \varnothing Important Dimension.
 - * Waterproof Rate: IP68
IP68: 1M Depth Of Water In 24hours.
 - * Housing: PU, Black
 - * Male Pin: Copper Alloy, Gold Plated.
 - * Cable: 22AWG*3C+Talcum, PU Jacket, Black, OD=4.5mm.
 - * Cable Length Tolerance: 01M: ±40mm
02M~05M: ±60mm
06M~10M: ±100mm
11M~30M: ±200mm
31M~99M: ±500mm



Pin Assignments
Front View

4	Black 黑	Black 黑
3	Blue 藍	Blue 藍
1	Brown 棕	Brown 棕
	A	B
Conn.	Wire Color	
	Pin Out	

UNIT:mm TOLERANCE ±0.5mm

TITLE			
M12 Cable Screw 3Pin M Conn M Pin			
SCALE	SIZE	SHEET	OF
1:1	A4	1	1
REV.	WC-REV.	\varnothing : Inspection item	
C	A.3		

Amphenol LTW
安費諾亮泰企業股份有限公司

ITEM NO	DRAWN BY	DATE
	Cary_liu	2013-08-08
DWG NO	CHECKED BY	DATE
SS-030000-M00-YSBXX	Mafei	2013-08-08
CUSTOMER	APPROVED BY	DATE
ALTW	Victor	2013-08-08

THIS DOCUMENT IS SUBJECT TO CHANGE WITHOUT NOTICE. IT IS CONFIDENTIAL AND A PROPERTY OF Amphenol LTW. DISCLOSURE TO THIRD PARTY HAS TO BE AUTHORIZED BY Amphenol LTW.