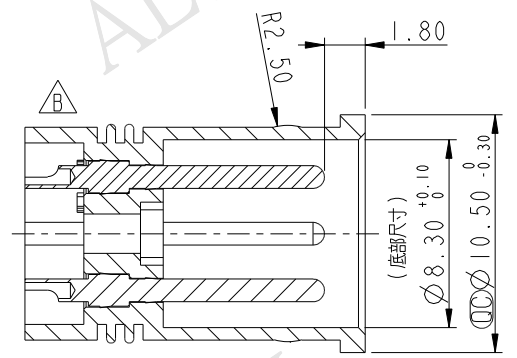
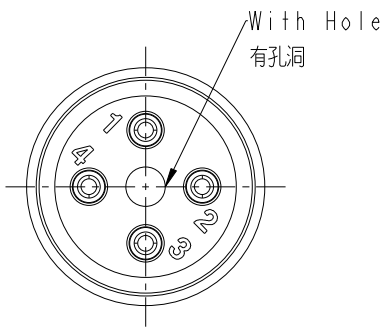
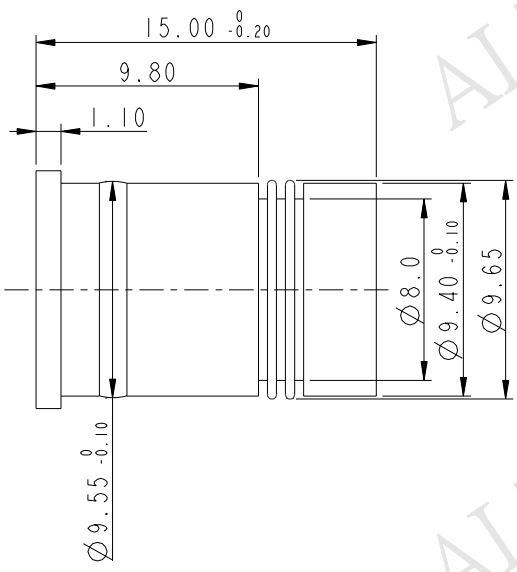
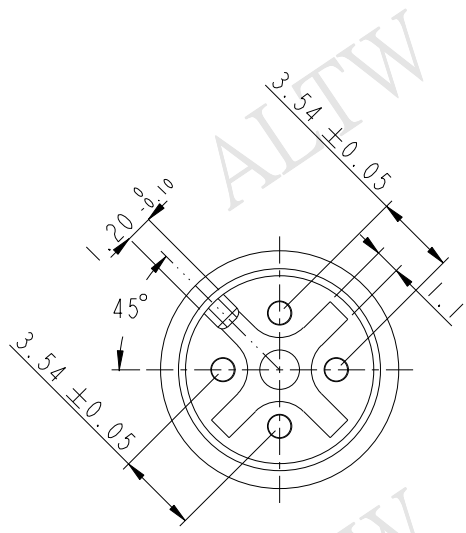


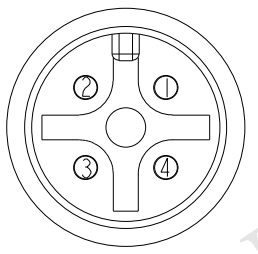
| REV. | ECN NO. | DATE | SIGN | DESCRIPTION |
|------|------------|------------|--------|--------------------------|
| B | LE315B0055 | 2015/10/29 | Jinhai | Change To Assembly Type. |
| | | | | |



Section A-A

ALTW
CONFIDENTIAL
2015-10-28
R&D DEPT.

ALTW
DCC. DEPT.
CONFIDENTIAL
2015.11.11
ISSUED



PIN ASSIGNMENTS
Front View

Note:
 * \varnothing Important Dimension To Check.
 * Housing: Nylon, Black
 * Male Pin: Copper Alloy, Gold Plated

| | | | | | | | | | | |
|-----------|-------|----------------------|---------|---------------------|----|-------------|-------------|------------|--|--|
| UNIT: mm | | TITLE | | ITEM NO | | DRAWN BY | | DATE | | |
| | | MI2 Connector 4 Ples | | SLD-A004002 | | Jinhai | | 2015-10-28 | | |
| | | SCALE | SIZE | SHEET | OF | DWG NO | CHECKED BY | DATE | | |
| TOLERANCE | ±0.25 | 3:1 | A4 | 1 | 1 | SLD-A004002 | Tom | 2015-10-28 | | |
| .X | ±0.1 | REV. | WC-REV. | QC: Inspection item | | CUSTOMER | APPROVED BY | DATE | | |
| .XX | ±0.05 | B | A.1 | | | ALTW | Jerry | 2015-10-28 | | |
| .XXX | ±1° | | | | | | | | | |
| ANGLES | | | | | | | | | | |

Amphenol LTW
安費諾亮泰企業股份有限公司

THIS DOCUMENT IS SUBJECT TO CHANGE WITHOUT NOTICE. IT IS CONFIDENTIAL AND A PROPERTY OF Amphenol LTW. DISCLOSURE TO THIRD PARTY HAS TO BE AUTHORIZED BY Amphenol LTW.