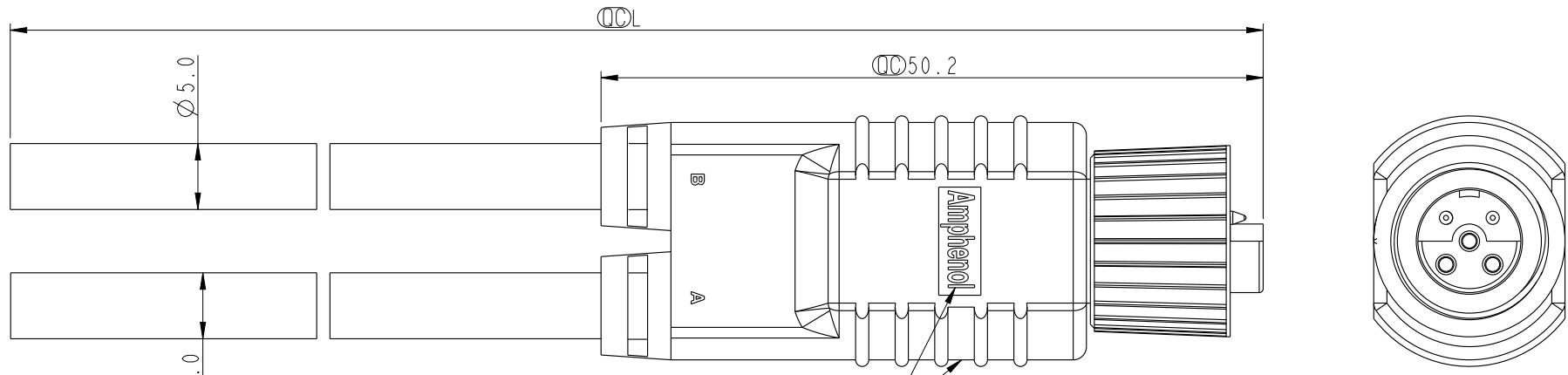


THIS DOCUMENT IS SUBJECT TO CHANGE WITHOUT NOTICE. IT IS CONFIDENTIAL AND A PROPERTY OF Amphenol LTW. DISCLOSURE TO THIRD PARTY HAS TO BE AUTHORIZED BY Amphenol LTW.

REV.	ECN NO.	DATE	SIGN	DESCRIPTION
B	LEN13B0160~63	2013/09/03	Cary	Change Logo From LTW To Amphenol

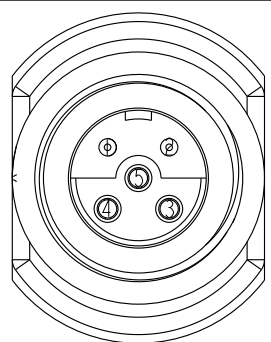


Logo in the both sides
 △ B 两面Logo

SI-050000-F00-YS000
 Color: Black

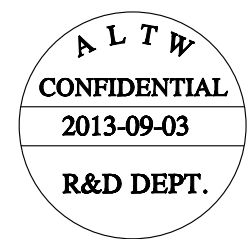
SI-050000-F00-YSBXX
 XX:01~99Meter
 01:01Meter
 02:02Meters
 ...
 99:99Meters
 Cable Length(L):01~99Meters

- Note:
- * (CC) Important Dimension.
 - * △ B Waterproof Rate: IP68
 IP68: 1M Depth Of Water In 24hours.
 - * Housing: PU, Black
 - * Pin: Phosphor Bronze, Gold Plated
 - * O-Ring: Viton, Green
 - * Screw Nut: Zn Alloy, Nicked Plated
 - * Cable: NO HALOGEN 22AWG*5C+T,
 Black, PU Jacket, UV Resistant, OD=5.0mm
 - * △ B Cable Length Tolerance: 01M: ±40mm
 02M~05M: ±60mm
 06M~10M: ±100mm
 11M~30M: ±200mm
 31M~99M: ±500mm



Pin Assignments
 Front View

5	Green	Green	綠
4	Black	Black	黑
3	Blue	Blue	藍
2	White	White	白
1	Brown	Brown	棕
	A	B	
Conn.	Wire Color		
	Pin Out		



UNIT:mm		TITLE
TOLERANCE	±0.5mm	MI2 Conn 5Pin F CONN 1 Pin,Y Cable
SCALE	2:1	SIZE
REV.	B	A4
		SHEET
		1 OF 1
		WC-REV.
		A.2
		CC: Inspection item

Amphenol LTW
 安費諾亮泰企業股份有限公司

ITEM NO	DRAWN BY	DATE
SI-050000-F00-YSBXX	Cary_liu	2013/09/03
DWG NO	CHECKED BY	DATE
SI-050000-F00-YSBXX	Tom_gu	2013/09/03
CUSTOMER	APPROVED BY	DATE
ALTW	Victor	2013/09/03