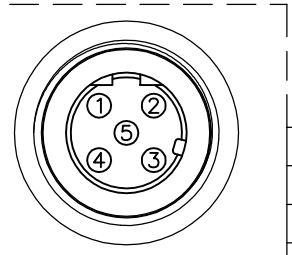
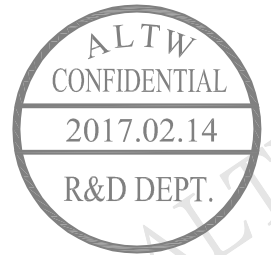
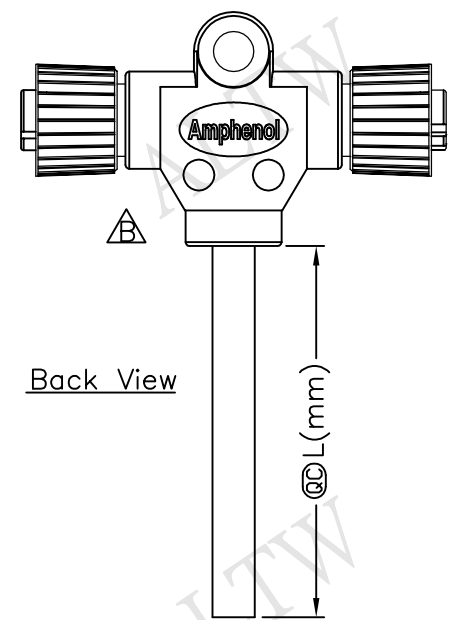
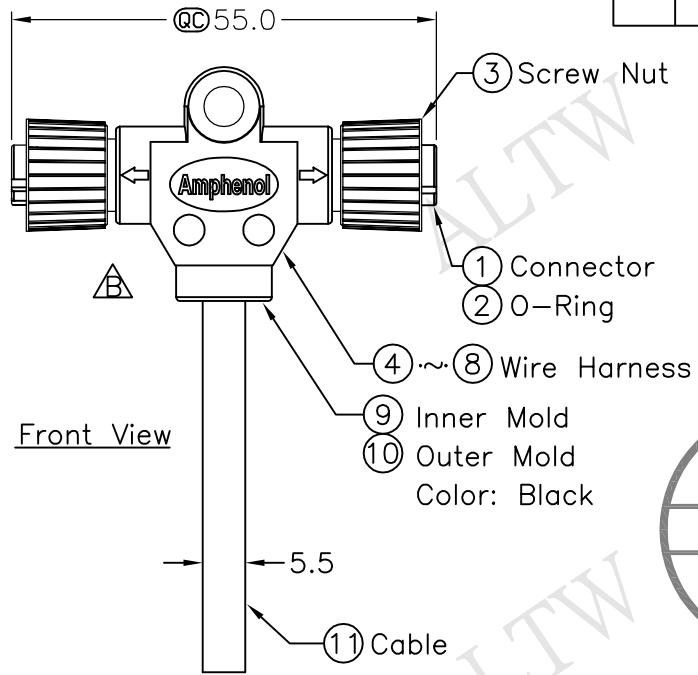
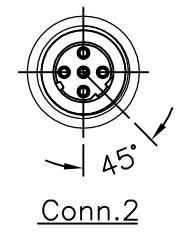
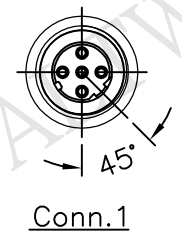


REV.	ECN NO.	DATE	SIGN	DESCRIPTION
B	LEN1720269~272	2017/02/14	Ruru	Change Logo & Outer Mold Design & Note

THIS DOCUMENT IS SUBJECT TO CHANGE WITHOUT NOTICE. IT IS CONFIDENTIAL AND A PROPERTY OF Amphenol LTW. DISCLOSE TO THIRD PARTY HAS TO BE AUTHORIZED BY Amphenol LTW.



5	Green	綠	5
4	Black	黑	4
3	Blue	藍	3
2	White	白	2
1	Brown	棕	1
Conn.1	Wire Color		Conn.2
Pin Out			

SD-050500-FF0-TSAXX  
 XX:01~99Meter  
 01:01Meter  
 02:02Meters  
 :  
 :  
 99:99Meters  
 Cable Length(L):01~99Meters

- Note:
- \* Ⓞ Important Dimension.
  - \* Waterproof Rate: IP68
  - \* Housing: Black, Polyurethane
  - \* Screw Nut: Zinc Alloy, Nickel Plated
  - \* Female Pin: Copper Alloy, Gold Plated
  - \* Wire Harness: UL1007 24AWG
  - \* Cable: Black, UL2464 22AWG\*5C+Talc  
PVC Jacket UV Resistant OD=5.5mm
  - \* Cable Length Tolerance: 01M: ±40mm  
02M~05M: ±60mm  
06M~10M: ±100mm  
11M~30M: ±200mm  
31M~99M: ±500mm

UNIT:mm	
TOLERANCE	±0.5 mm

TITLE M12 Conn T Cable Screw FF Conn FF Pin	
SCALE Free	SHEET 1 OF 1
REV. B	SIZE A4
Ⓞ :Inspection Item	

**Amphenol LTW**  
 安費諾亮泰企業股份有限公司

ITEM NO	DRAWN BY Ruru	DATE 2017/02/14
DWG NO SD-050500-FF0-TSAXX	CHECKED BY Rita	DATE 2017/02/14
CUSTOMER ALTW	APPROVED BY Max	DATE 2017/02/14