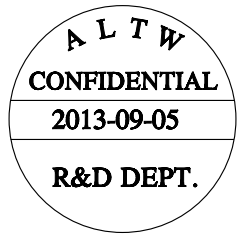
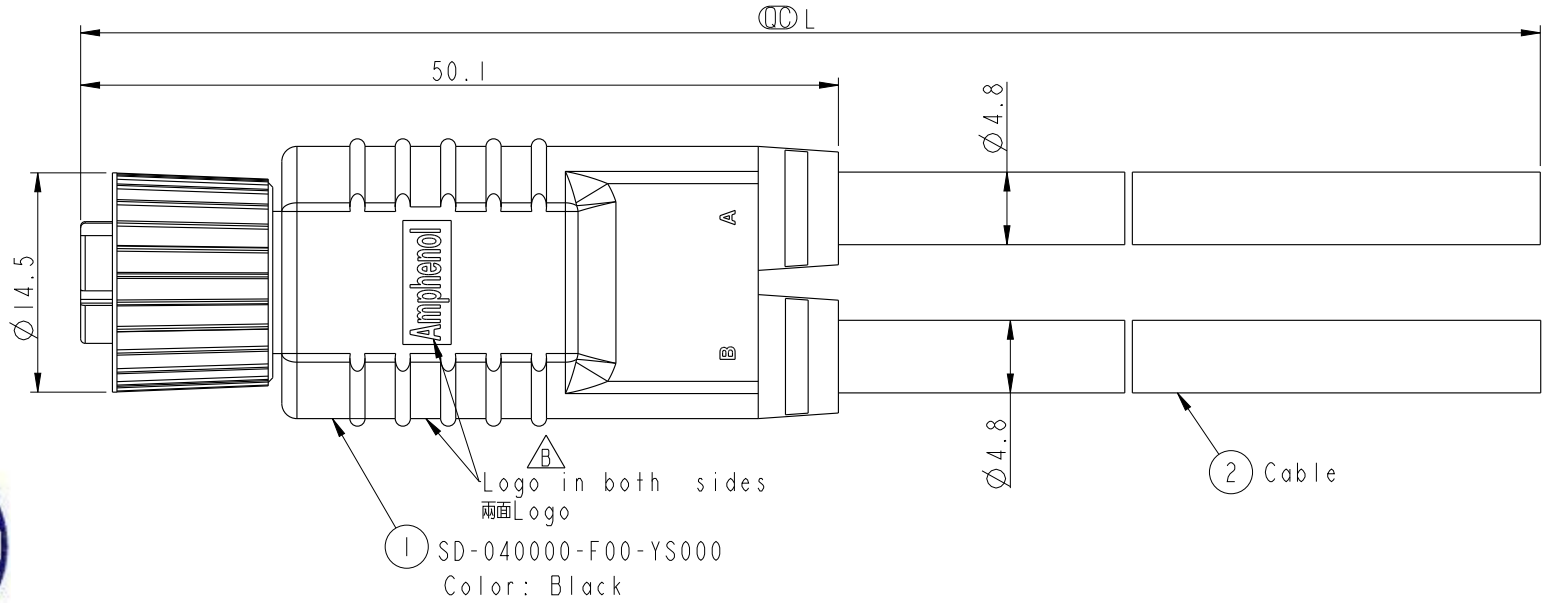
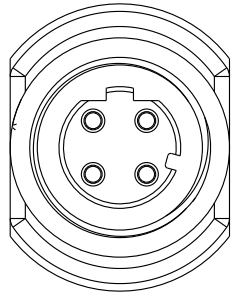
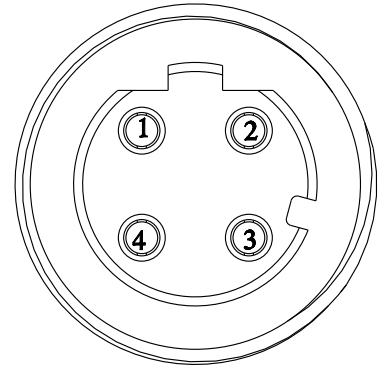


REV.	ECN NO.	DATE	SIGN	DESCRIPTION
B	LEN13B0188~91	2013-09-05	Cary	Change Logo From LTW To Amphenol

THIS DOCUMENT IS SUBJECT TO CHANGE WITHOUT NOTICE. IT IS CONFIDENTIAL AND A PROPERTY OF Amphenol LTW. DISCLOSURE TO THIRD PARTY HAS TO BE AUTHORIZED BY Amphenol LTW.



SD-040000-F00-YSBXX  
 XX: 01~99Meter  
 01: 01Meter  
 02: 02Meters  
 ...  
 99: 99Meters  
 Cable Length(L): 01~99Meters



PIN ASSIGNMENTS  
FRONT VIEW 前視圖

4	Black	Black	黑
3	Blue	Blue	藍
2	White	White	白
1	Brown	Brown	棕
	A	B	
Conn.	Wire Color		
	Pin Out		

- Note:
- \*  $\varnothing$  Important Dimension To Check.
  - \* Waterproof Rate: IP68  
IP68: 1M Depth Of Water In 24hours.
  - \* Housing: PU, Black.
  - \* Female Pin: Copper Alloy, Gold Plated
  - \* O-Ring: Viton, Green
  - \* Screw Nut: Zn Alloy, Nicked Plated
  - \* Cable: NO HALOGEN 22AWG\*4C+INSULATION  
Black, PU Jacket, UV Resistant, OD=4.8mm
  - \* Cable Length Tolerance: 01M: ±40mm  
02M~05M: ±60mm  
06M~10M: ±100mm  
11M~30M: ±200mm  
31M~99M: ±500mm

UNIT: mm		TITLE
TOLERANCE	±0.5mm	M12 D 4Pin F Conn. F Pin, Y Cable
SCALE	2:1	SIZE A4
REV.	B	SHEET 1 OF 1
WC-REV.	A.1	$\varnothing$ : Inspection item

**Amphenol LTW**  
安費諾亮泰企業股份有限公司

ITEM NO	DRAWN BY	DATE
DWG NO	Cary_liu	2013/09/05
CUSTOMER	CHECKED BY	DATE
ALTW	Di_Lu	2013/09/05
	APPROVED BY	DATE
	Victor	2013/09/05