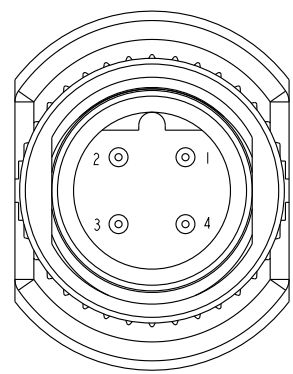
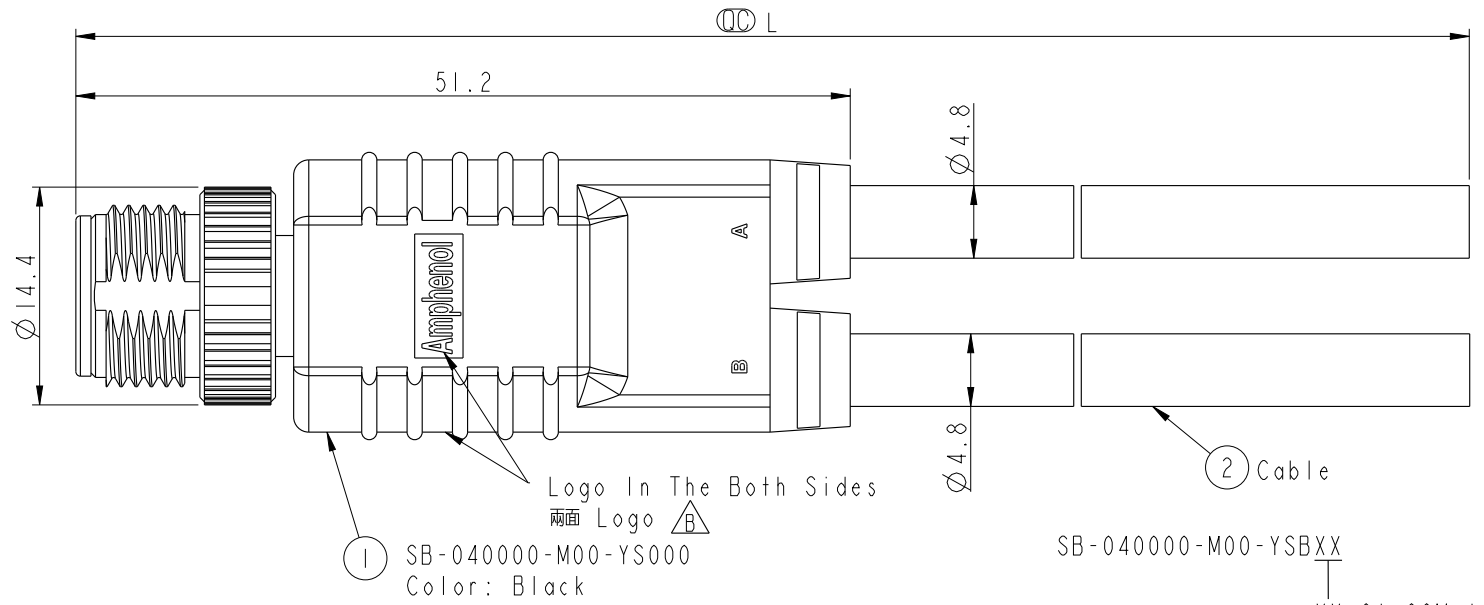


THIS DOCUMENT IS SUBJECT TO CHANGE WITHOUT NOTICE. IT IS CONFIDENTIAL AND A PROPERTY OF Amphenol LTW. DISCLOSURE TO THIRD PARTY HAS TO BE AUTHORIZED BY Amphenol LTW.

REV.	ECN NO.	DATE	SIGN	DESCRIPTION
B	LEN13B0125~28	2013/08/08	Cary	Change Logo To Amphenol



Pin Assignments  
Front View

4	Black	黑	Black	黑
3	Blue	藍	Blue	藍
2	White	白	White	白
1	Brown	棕	Brown	棕
	A		B	
Conn.	Wire Color		Pin Out	

- Note:
- \*  $\text{CC}$  Important Dimension.
  - \*  $\triangle B$  Waterproof Rate: IP68  
IP68: 1M Depth Of Water In 24hours.
  - \* Housing: PU, Black
  - \* Male Pin: Phosphor Bronze, Gold Plated
  - \* Screw Nut: Zn Alloy, Nicked Plated
  - \* Cable: NO HALOGEN 22AWG\*4C+INSULATION  
PU Jacket UV Resistant, OD=4.8mm, Black
  - \*  $\triangle B$  Cable Length Tolerance: 01M:  $\pm 40$ mm  
02M~05M:  $\pm 60$ mm  
06M~10M:  $\pm 100$ mm  
11M~30M:  $\pm 200$ mm  
31M~99M:  $\pm 500$ mm

UNIT:mm		TITLE
TOLERANCE	$\pm 0.5$ mm	M12 B 4Pin M Conn. M Pin, Y Cable
SCALE	1:1	SIZE A4
REV.	B	SHEET 1 OF 1
WC-REV.	A.4	$\text{CC}$ : Inspection item

ITEM NO		DRAWN BY	DATE
DWG NO		CHECKED BY	DATE
CUSTOMER		APPROVED BY	DATE
ALTW		Cary_liu	2013-08-08
		Mafei	2013-08-08
		Maslow	2013-08-08

**Amphenol LTW**  
安費諾亮泰企業股份有限公司