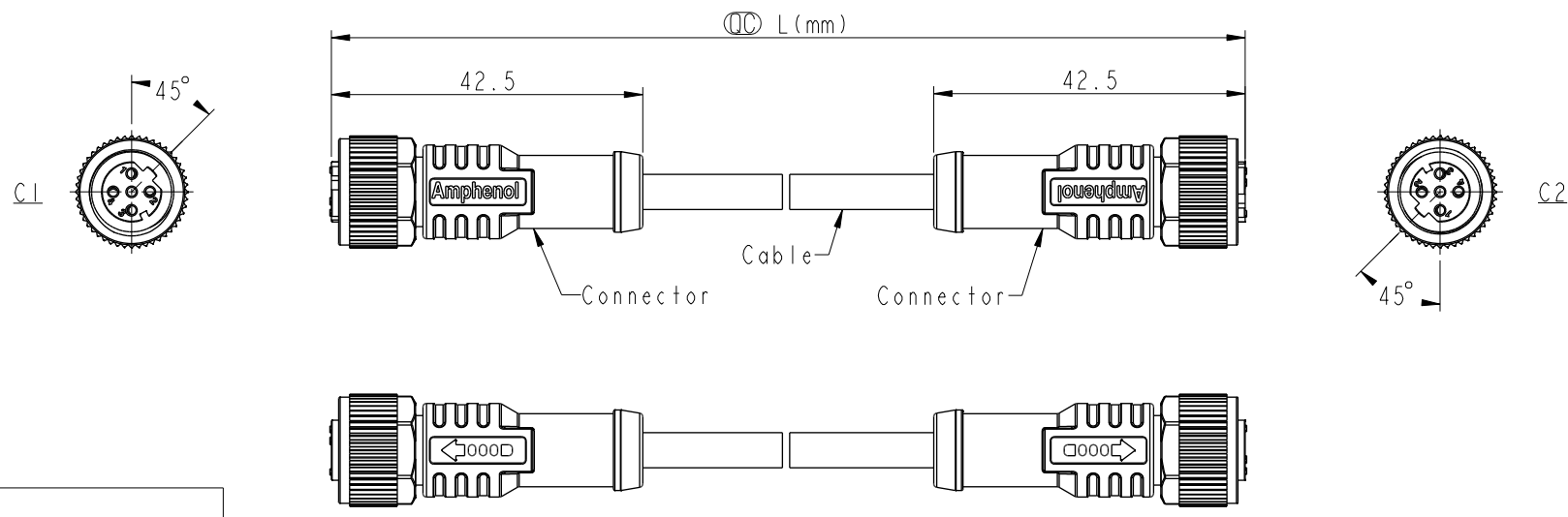
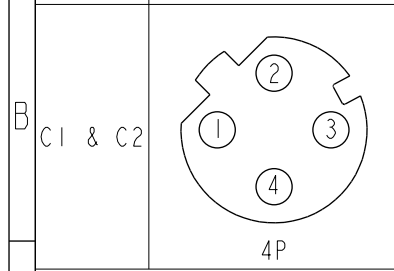


THIS DOCUMENT IS SUBJECT TO CHANGE WITHOUT NOTICE. IT IS CONFIDENTIAL AND A PROPERTY OF Amphenol LTW. DISCLOSURE TO THIRD PARTY HAS TO BE AUTHORIZED BY Amphenol LTW.

REV.	ECN NO.	DATE	SIGN	DESCRIPTION
B	C201786	2020/11/17	Ruru	$\triangle B$ X3
C	C210237	2021/03/25	Ruru	$\triangle C$ X2



Pin Out	5	--	
	4	Black	黑
	3	Blue	藍
	2	White	白
	1	Brown	棕
	Pin #	Wire	



$\triangle B$
MSDPXXFL-SDPFL-SDXXX
XX: No. Of Pin

XXX: 0.5~99Meters
A05: 0.5 Meter
1: 01 Meter
2: 02 Meters
:
99: 99 Meters

Note: $\triangle B$ $\triangle C$

- * RoHS Compliant
- * ⌀ Important dimension
- * Waterproof rate: IPX8, mated 1m/24h
IPX9K, mated
- * Connector:
Housing: Thermoplastic, Black
Pin: Copper alloy, Gold plated
O-Ring: Rubber, Green
Nut: Thermoplastic, Black
Outer mold: Thermoplastic, Black
- * Cable: UL2517, 22#4C, OD=4.8mm, PVC Jacket, Black
- * Cable length tolerance: 0.5M < L ≤ 1M: +60/-0 mm
1M < L ≤ 3M: +120/-0 mm
3M < L ≤ 5M: +160/-0 mm
5M < L ≤ 10M: ±100 mm
10M < L ≤ 20M: ±200 mm
20M < L ≤ 30M: ±300 mm
30M < L ≤ 99M: ±500 mm

UNIT:mm		TITLE	ACC, SEN, D Code, DB-ENDED FF	
TOLERANCE	±0.5 mm	SCALE	1:2	SIZE A4
		REV.	C	WC-REV.
			⌀ : Inspection item	

Amphenol LTW
安費諾亮泰企業股份有限公司

ITEM NO	DRAWN BY	DATE
	Vicky	2018-12-12
DWG NO	CHECKED BY	DATE
$\triangle B$ MSDPXXFL-SDPFL-SDXXX	Rita	2018-12-12
CUSTOMER	APPROVED BY	DATE
ALTW	Max	2018-12-12