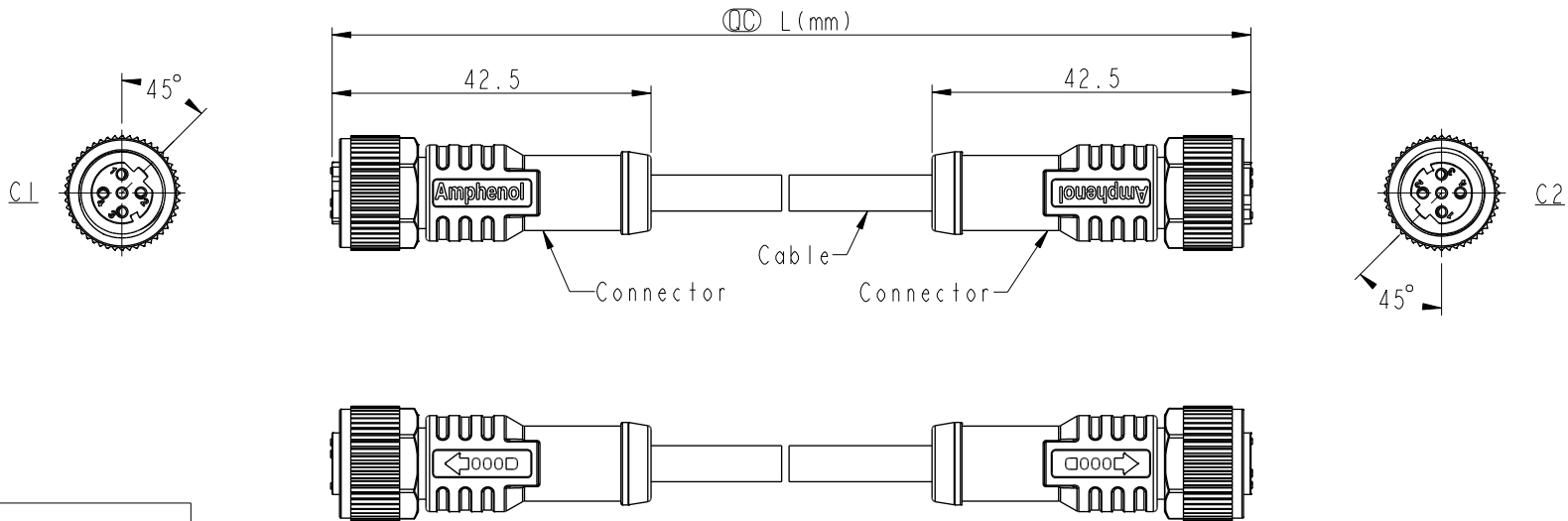
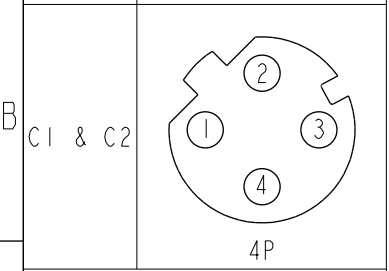


THIS DOCUMENT IS SUBJECT TO CHANGE WITHOUT NOTICE. IT IS CONFIDENTIAL AND A PROPERTY OF Amphenol LTW. DISCLOSURE TO THIRD PARTY HAS TO BE AUTHORIZED BY Amphenol LTW.

REV.	ECN NO.	DATE	SIGN	DESCRIPTION
B	C201786	2020/11/17	Ruru	$\triangle B$ X3
C	C210237	2021/03/25	Ruru	$\triangle C$ X2



Pin Out	5	--	
	4	Black	黑
	3	Blue	藍
	2	White	白
	1	Brown	棕
	Pin #	Wire	



Pin Assignments Front View

$\triangle B$  MSDPXXFL-SDPFL-SBXXX  
 XX: No. Of Pin  
 XXX: 0.5~99Meters  
 A05: 0.5 Meter  
 1: 01 Meter  
 2: 02 Meters  
 :  
 99: 99 Meters

Note:  $\triangle B$   $\triangle C$   
 \* RoHS Compliant  
 \*  $\circ$  Important dimension  
 \* Waterproof rate: IPX8, mated 1m/24h  
 IPX9K, mated  
 \* Connector:  
 Housing: Thermoplastic, Black  
 Pin: Copper alloy, Gold plated  
 O-Ring: Rubber, Green  
 Nut: Thermoplastic, Black  
 Outer mold: Thermoplastic, Black  
 \* Cable: UL20549, 22#4C, OD=4.0mm, PUR Jacket, Black  
 \* Cable length tolerance:  
 0.5M < L ≤ 1M: +60/-0 mm  
 1M < L ≤ 3M: +120/-0 mm  
 3M < L ≤ 5M: +160/-0 mm  
 5M < L ≤ 10M: ±100 mm  
 10M < L ≤ 20M: ±200 mm  
 20M < L ≤ 30M: ±300 mm  
 30M < L ≤ 99M: ±500 mm

UNIT:mm		TITLE	ACC, SEN, D Code, DB-ENDED FF
TOLERANCE	±0.5 mm	SCALE	1:2
		SIZE	A4
		SHEET	1 OF 1
		REV.	C
		WC-REV.	
		$\circ$ Inspection item	

**Amphenol LTW**  
 安費諾亮泰企業股份有限公司

ITEM NO	DRAWN BY	DATE
	Vicky	2018-12-12
DWG NO	CHECKED BY	DATE
$\triangle B$ MSDPXXFL-SDPFL-SBXXX	Rita	2018-12-12
CUSTOMER	APPROVED BY	DATE
ALTW	Max	2018-12-12