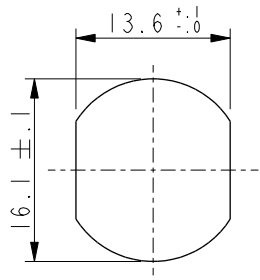
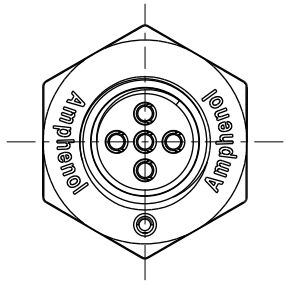


THIS DOCUMENT IS SUBJECT TO CHANGE WITHOUT NOTICE. IT IS CONFIDENTIAL AND A PROPERTY OF Amphenol LTW. DISCLOSURE TO THIRD PARTY HAS TO BE AUTHORIZED BY Amphenol LTW.

REV.	ECN NO.	DATE	SIGN	DESCRIPTION
C	C201524	2020/10/05	Vicky	X3
D	C210084	2021/01/18	Vicky	X2
E	C210241	2021/04/14	Ruru	X3

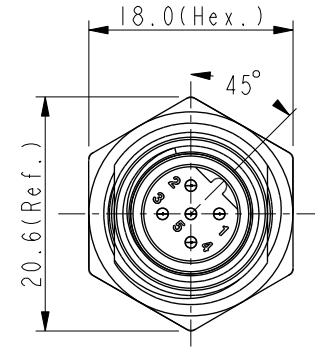
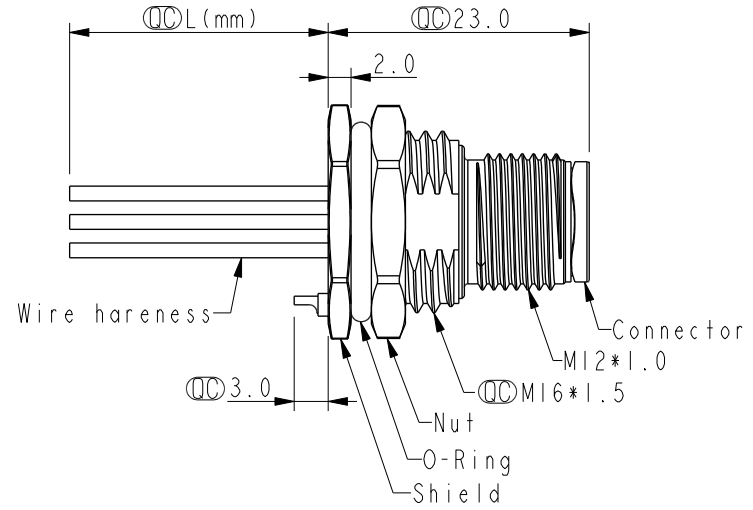


Recommended Panel Cut-Out



MSBS-XXPMC-SF8CXX

XX: No. Of Pin



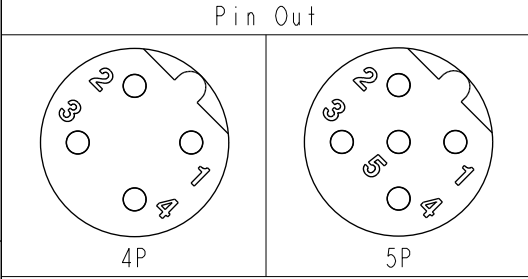
5	--	5	Gray	灰
4	Black	4	Black	黑
3	Blue	3	Blue	藍
2	White	2	White	白
1	Brown	1	Brown	棕

Pin # Wire Pin # Wire

10: 100mm  
 15: 150mm  
 20: 200mm  
 }  
 95: 950mm  
 Cable Pitch Unit=50mm  
 A0: 1000mm  
 }  
 A5: 1500mm  
 Cable Pitch Unit=100mm  
 Wire Length (L): 150~1500mm

Note:

- \* RoHS Compliant
- \* Important dimension
- \* Waterproof rate: IPX8, unmated 1m/24h
- \* Connector
- Housing: Thermoplastic, Black
- Pin: Copper alloy, Gold plated
- \* Shield: Metal
- \* Nut: Metal
- \* O-Ring: Rubber, Black
- \* Wire harness: UL1061, 22AWG
- \* For panel thickness max: 4.5mm
- \* O-Ring and nut are assembled on connectors
- \* Wire harness tolerance: 100mm: ±10mm  
 100mm < L ≤ 300mm: ±15mm  
 300mm < L ≤ 1000mm: ±20mm  
 1000mm < L ≤ 1500mm: ±50mm



Pin Assignments Front View

UNIT: mm		TITLE	
		N SEN, M12 B -SHLD, SCREW RECEPTACLE, M, M, FI/PANEL CRIMP	
TOLERANCE		SCALE	SIZE
.X ±0.25		3:2	A4
.XX ±0.1			
.XXX ±0.05		REV.	WC-REV.
ANGLES ±1°		E	A.1
		Inspection item	

**Amphenol LTW**

安費諾亮泰企業股份有限公司

ITEM NO	DWG NO	CUSTOMER	DATE
	MSBS-XXPMC-SF8CXX	ALTW	2019-09-24
DRAWN BY	CHECKED BY	APPROVED BY	DATE
Vicky	Rita	Max	2019-09-24
			2019-09-24