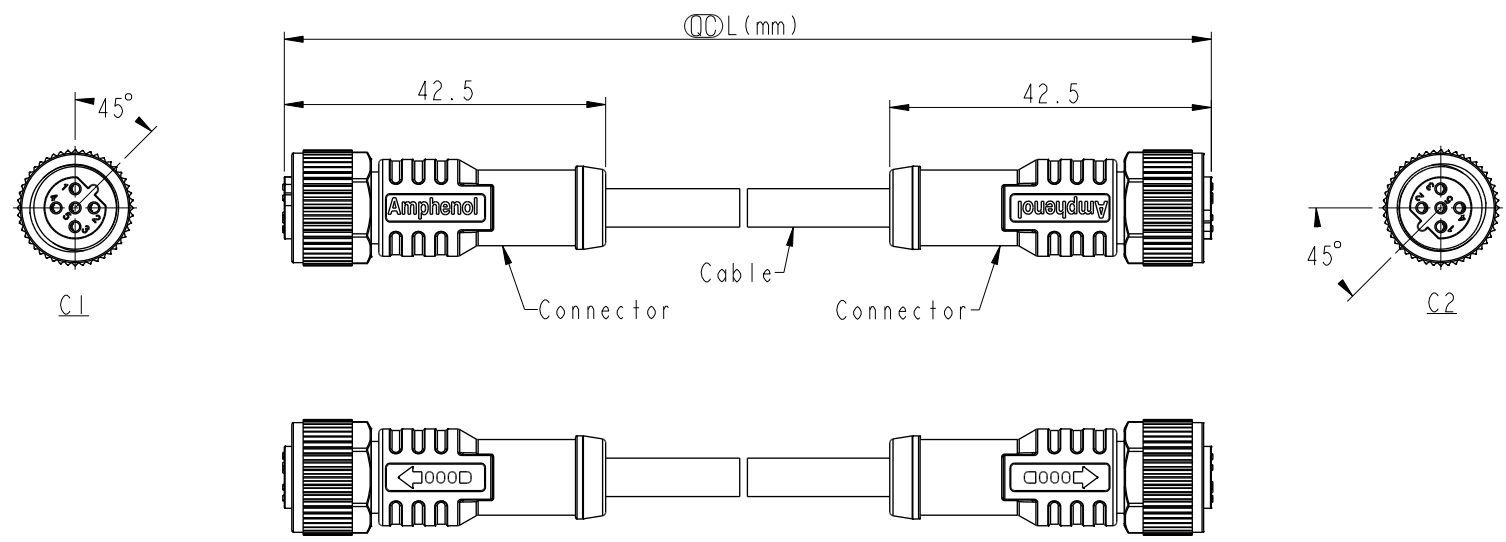


THIS DOCUMENT IS SUBJECT TO CHANGE WITHOUT NOTICE. IT IS CONFIDENTIAL AND A PROPERTY OF Amphenol LTW. DISCLOSURE TO THIRD PARTY HAS TO BE AUTHORIZED BY Amphenol LTW.

| REV. | ECN NO. | DATE       | SIGN | DESCRIPTION      |
|------|---------|------------|------|------------------|
| B    | C201781 | 2020/11/12 | Ruru | $\triangle B$ X3 |
| C    | C210497 | 2021/03/30 | Ruru | $\triangle C$ X2 |



|         |                       |   |                       |
|---------|-----------------------|---|-----------------------|
| Pin Out | 5<br>4<br>3<br>2<br>1 | Gray<br>Black<br>Blur<br>White<br>Brown | 灰<br>黑<br>藍<br>白<br>棕 |
|         | Pin #                 | Wire                                    |                       |
| C1 & C2 | <p>5P</p>             |   |                       |

$\triangle B$   
MSBPXXFL-SBPFL-SDXXX

XX: No. Of Pin

XXX: 0.5~99Meters  
 A05: 0.5 Meter  
 1: 01 Meter  
 2: 02 Meters  
 ...  
 99: 99 Meters

- Note:  $\triangle B$   $\triangle C$
- \* RoHS Compliant
  - \*  $\varnothing$  Important dimension
  - \* Waterproof rate: IPX8, mated 1m/24h  
IPX9K, mated
  - \* Connector:
    - Housing: Thermoplastic, Black
    - Pin: Copper alloy, Gold plated
    - O-Ring: Rubber, Green
    - Nut: Thermoplastic, Black
    - Outer mold: Thermoplastic, Black
  - \* Cable: UL2517, 22#\*5C, OD=5.1mm, PVC Jacket, Black
  - \* Cable length tolerance:
    - 0.5M < L ≤ 1M: +60/-0 mm
    - 1M < L ≤ 3M: +120/-0 mm
    - 3M < L ≤ 5M: +160/-0 mm
    - 5M < L ≤ 10M: ±100 mm
    - 10M < L ≤ 20M: ±200 mm
    - 20M < L ≤ 30M: ±300 mm
    - 30M < L ≤ 99M: ±500 mm

|                                  |   |            |  |                                 |                  |  |                    |                    |
|----------------------------------|---|------------|--|---------------------------------|------------------|--|--------------------|--------------------|
| UNIT:mm<br>TOLERANCE<br>± 0.5 mm | TITLE<br>ACC, SEN, B Code, DB-ENDED<br>FF |            | <h1>Amphenol LTW</h1> <p>安費諾亮泰企業股份有限公司</p> | ITEM NO                         | DRAWN BY<br>Ruru | DATE<br>2018-12-07                           |                    |                    |
|                                  | SCALE<br>1:2                              | SIZE<br>A4 |  | SHEET<br>1                      | OF<br>1          | DWG NO<br>$\triangle B$ MSBPXXFL-SBPFL-SDXXX | CHECKED BY<br>Rita | DATE<br>2018-12-07 |
|                                  | REV.<br>C                                 | WC-REV.    |  | $\varnothing$ : Inspection item |                  | CUSTOMER<br>ALTW                             | APPROVED BY<br>Max | DATE<br>2018-12-07 |