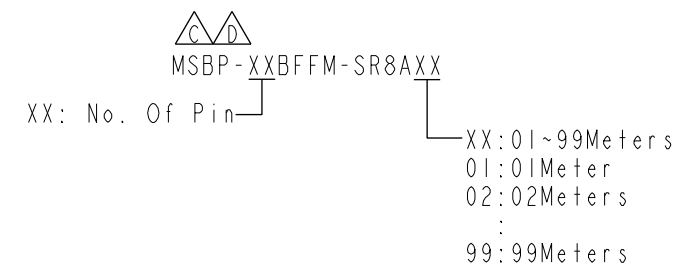
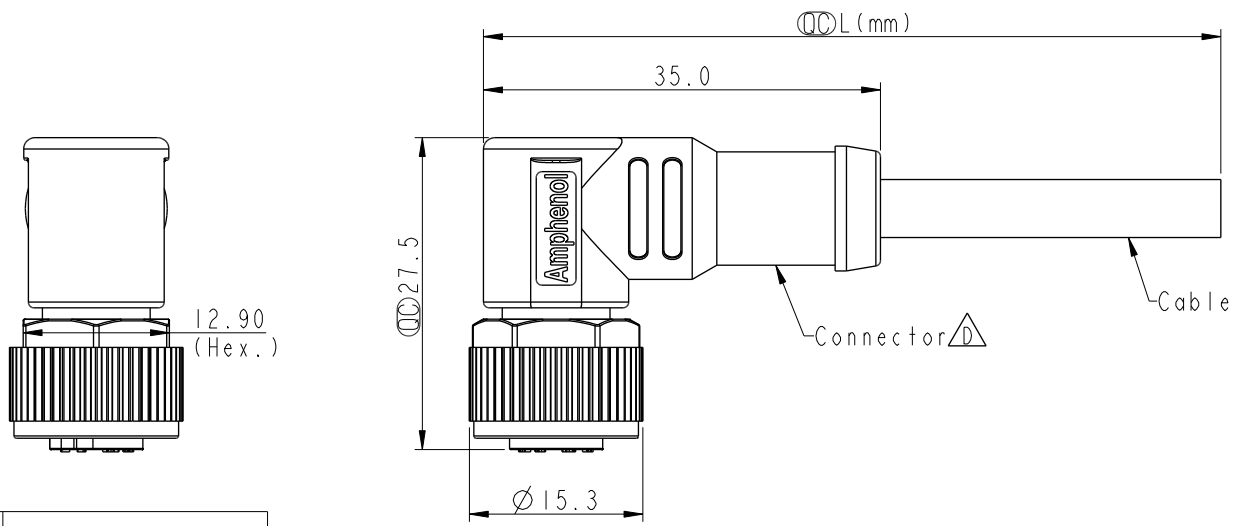
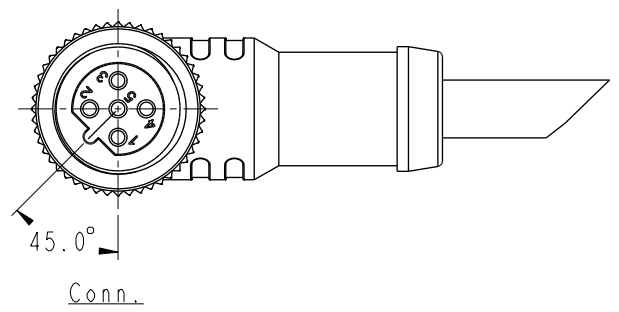
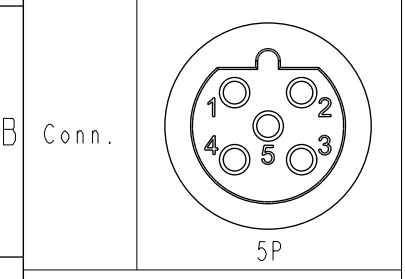


THIS DOCUMENT IS SUBJECT TO CHANGE WITHOUT NOTICE. IT IS CONFIDENTIAL AND A PROPERTY OF Amphenol LTW. DISCLOSURE TO THIRD PARTY HAS TO BE AUTHORIZED BY Amphenol LTW.

REV.	ECN NO.	DATE	SIGN	DESCRIPTION
C	C190180	2019/01/21	Ruru	Modify The Waterproof Rating
D	C201595	2020/10/16	Ruru	$\triangle D$ X4
E	C210211	2021/03/18	Ruru	$\triangle E$ X2



Pin Out	Wire	Color
5	Gray	灰
4	Black	黑
3	Blue	藍
2	White	白
1	Brown	棕



- Note: $\triangle D$ $\triangle E$
- * RoHS Compliant
 - * \odot Important dimension
 - * $\triangle C$ Waterproof rate: IPX8, mated 1m/24h
IPX9K, mated
 - * Connector
 - Housing: Thermoplastic, Black
 - Pin: Copper alloy, Gold plated
 - O-Ring: Rubber, Green
 - Nut: Thermoplastic, Black
 - Outer mold: Thermoplastic, Black
 - * Cable: UL2517, 22#*5C, OD=5.1mm, PVC Jacket, Yellow
 - * Cable length tolerance: 1M: +50/-0 mm
 - 1M < L ≤ 3M: +100/-0 mm
 - 3M < L ≤ 5M: +150/-0 mm
 - 5M < L ≤ 10M: ±100 mm
 - 10M < L ≤ 20M: ±200 mm
 - 20M < L ≤ 30M: ±300 mm
 - 30M < L ≤ 99M: ±500 mm

UNIT:mm		TITLE
TOLERANCE	±0.5mm	N SEN, M12 B -PLASTIC, SCREW CABLE W/O SR, F, F, MOLDING $\triangle E$
SCALE	3:2	SIZE
REV.	E	WC-REV.
		A.2
		\odot : Inspection item

SHEET 1 OF 1		
REV.	WC-REV.	\odot : Inspection item

Amphenol LTW
安費諾亮泰企業股份有限公司

ITEM NO	MSBP-XXBFFM-SR8AXX	DRAWN BY	Ruru	DATE	2019-01-21
DWG NO	MSBP-XXBFFM-SR8AXX	CHECKED BY	Rita	DATE	2019-01-21
CUSTOMER	ALTW	APPROVED BY	Max	DATE	2019-01-21