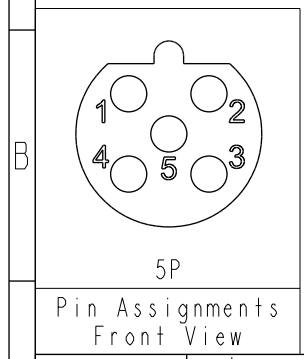
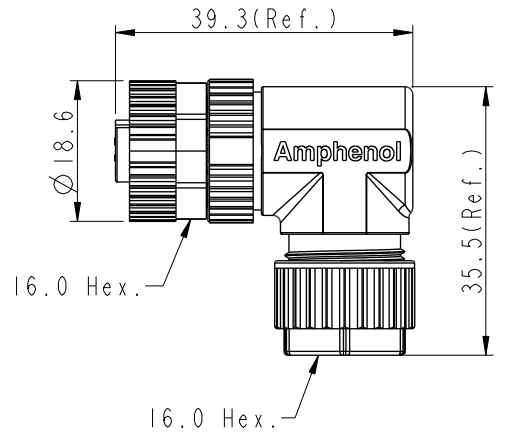
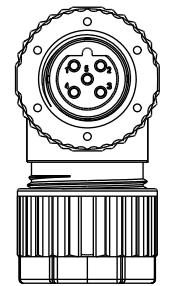
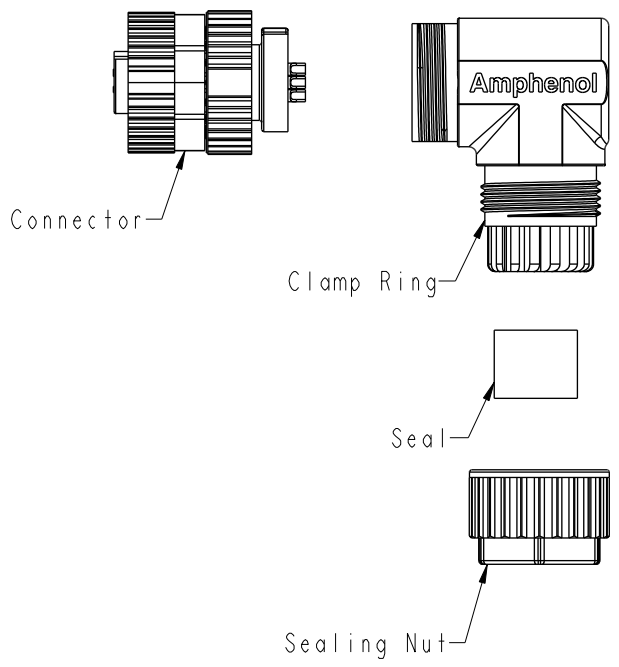


REV.	ECN NO.	DATE	SIGN	DESCRIPTION
B	C201470	2020/10/05	Ruru	$\triangle B$ X2
C	C210561	2021/04/15	Vicky	$\triangle C$ X2



$\triangle B$
MSBP-XXBFFA-SR7001
XX: No. Of Pin

- $\triangle C$
Note:
- * RoHS Compliant
 - * \varnothing Important Dimension
 - * Waterproof rate: IPX7, mated
 - * Connector
 - Housing: Thermoplastic, Black
 - Pin: Copper alloy, Gold plated
 - Extension Nut: Thermoplastic, Black
 - Nut: Thermoplastic, Black
 - O-Ring: Rubber, Gray
 - * Clamp Ring: Thermoplastic, Black
 - * Sealing Nut: Thermoplastic, Black
 - * Seal: Rubber, Gray, OD: \varnothing 4.0mm- \varnothing 7.0mm
 - * One set unassembled in one pe bag

UNIT:mm			TITLE N SEN, M12 B -PLASTIC, SCREW CABLE W/O SR, F, F, FI SOLDER
TOLERANCE .X ±0.25 .XX ±0.1 .XXX ±0.05 ANGLES ±1°	SCALE 1:1	SIZE A4	SHEET 1 OF 1
REV. C	WC-REV. A.5	\varnothing : Inspection item	

Amphenol LTW
安費諾亮泰企業股份有限公司

ITEM NO	DRAWN BY JC Chen	DATE 2020-04-17
DWG NO $\triangle B$ MSBP-XXBFFA-SR7001	CHECKED BY Li Feng	DATE 2020-04-17
CUSTOMER ALTW	APPROVED BY Jerry	DATE 2020-04-17

THIS DOCUMENT IS SUBJECT TO CHANGE WITHOUT NOTICE. IT IS CONFIDENTIAL AND A PROPERTY OF Amphenol LTW. DISCLOSURE TO THIRD PARTY HAS TO BE AUTHORIZED BY Amphenol LTW.