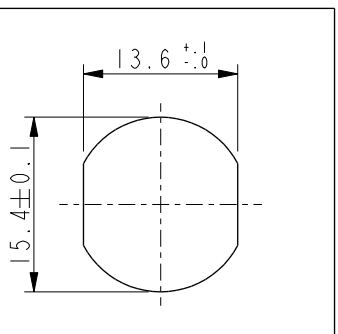
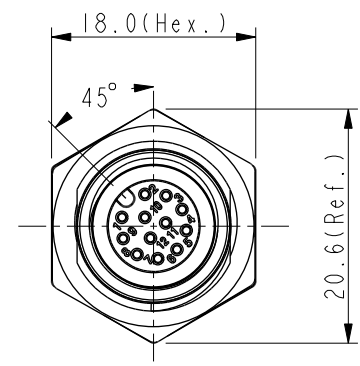
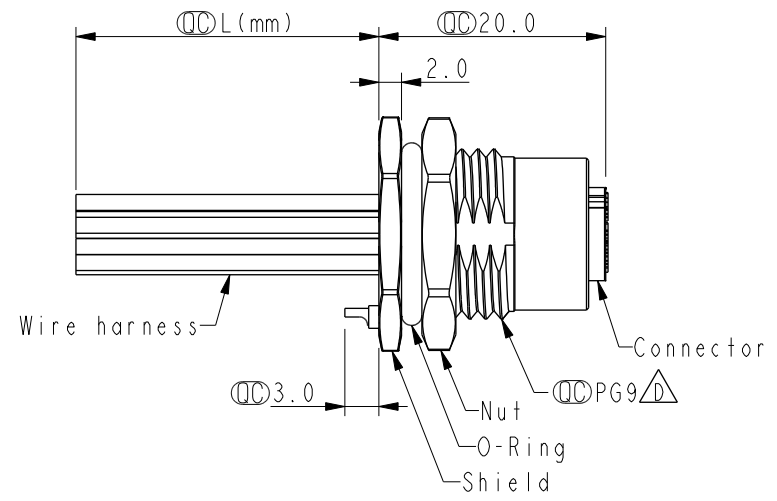
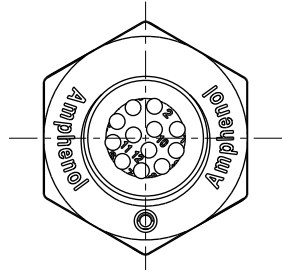


THIS DOCUMENT IS SUBJECT TO CHANGE WITHOUT NOTICE. IT IS CONFIDENTIAL AND A PROPERTY OF Amphenol LTW. DISCLOSURE TO THIRD PARTY HAS TO BE AUTHORIZED BY Amphenol LTW.

REV.	ECN NO.	DATE	SIGN	DESCRIPTION
C	BOMR19110191	2019/11/27	Peng	△C X4
D	C201453	2020/10/15	Ruru	△D X10
E	C210241	2021/04/19	Ruru	△E X2



Recommended Panel Cut-Out

- Note: △B △C △D △E
- \* RoHS Compliant
  - \* Ⓞ Important dimension
  - \* Waterproof rate: IPX8, unmated 1m/24h  
IPX9K, unmated
  - \* Connector
    - Housing: Thermoplastic, Black
    - Pin: Copper alloy, Gold plated
    - O-Ring: Rubber, Green
  - \* Shield: Metal
  - \* Nut: Metal
  - \* O-Ring: Rubber, Black
  - \* Wire harness: UL1061
  - \* For panel thickness max: 4.5mm
  - \* O-Ring and nut are assembled on connectors
  - \* Wire harness tolerance: 100mm: ±10mm  
100mm < L ≤ 300mm: ±15mm  
300mm < L ≤ 1000mm: ±20mm  
1000mm < L ≤ 1500mm: ±50mm


UNIT: mm	
TOLERANCE	
.X	±0.25
.XX	±0.1
.XXX	±0.05
ANGLES	±1°

TITLE N SEN, M12 A -SHLD, SCREW RECEPTACLE, F, F, SOLDER △D		
SCALE 3:2	SIZE A4	SHEET 1 OF 2
REV. E	WC-REV. A.3	Ⓞ: Inspection item

**Amphenol LTW**  
安費諾亮泰企業股份有限公司

ITEM NO	DRAWN BY Vicky	DATE 2019-09-24
DWG NO MSAS-XXPFFS-SF8BXX	CHECKED BY Rita	DATE 2019-09-24
CUSTOMER ALTW	APPROVED BY Max	DATE 2019-09-24

THIS DOCUMENT IS SUBJECT TO CHANGE WITHOUT NOTICE. IT IS CONFIDENTIAL AND A PROPERTY OF Amphenol LTW. DISCLOSURE TO THIRD PARTY HAS TO BE AUTHORIZED BY Amphenol LTW.

	12P	26	MSAS-12PFFS-SF8BXX
	10P		MSAS-10PFFS-SF8BXX
	8P	24	MSAS-08PFFS-SF8BXX
	6P		MSAS-06PFFS-SF8BXX
Contacts	AWG	Item No.	



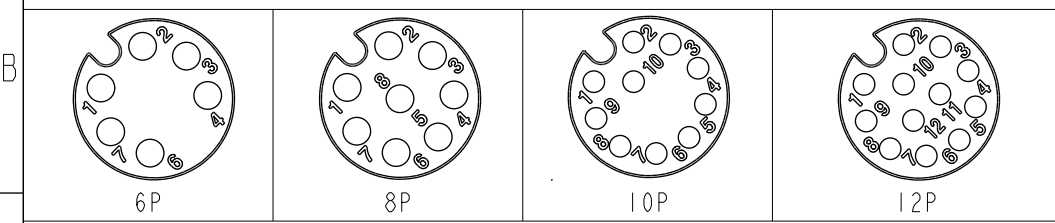
MSAS-XXPFFS-SF8BXX

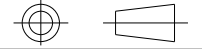
XX: No. Of Pin

10:100mm  
 15:150mm  
 20:200mm  
 ↓  
 95:950mm  
 Cable Pitch Unit:50mm


A0:1000mm  
 ↓  
 A5:1500mm  
 Cable Pitch Unit:100mm  
 Wire Length(L):150~1500mm

8	--	8	Red	紅	8	Red	紅	8	Red	紅	8	Red/Blue	紅/藍	
7	Blue	藍	7	Blue	藍	7	Blue	藍	7	Blue	藍	7	Gray/Pink	灰/粉
6	Pink	粉	6	Pink	粉	6	Pink	粉	6	Pink	粉	6	Pink	粉
5	--		5	Gray	灰	5	Gray	灰	5	Gray	灰	5	Gray	灰
4	Yellow	黃	4	Yellow	黃	4	Yellow	黃	4	Yellow	黃	4	Yellow	黃
3	Green	綠	3	Green	綠	3	Green	綠	3	Green	綠	3	Green	綠
2	Brown	棕	2	Brown	棕	2	Brown	棕	2	Brown	棕	2	Brown	棕
1	White	白	1	White	白	1	White	白	1	White	白	1	White	白
Pin #	Wire		Pin #	Wire		Pin #	Wire		Pin #	Wire		Pin #	Wire	



UNIT:mm		TITLE N SEN, M12 A -SHLD, SCREW RECEPTACLE, F, F, SOLDER
TOLERANCE .X ±0.25 .XX ±0.1 .XXX ±0.05 ANGLES ±1°	SCALE 3:2 SIZE A4 SHEET 2 OF 2	REV. E WC-REV. A.3 QC: Inspection item

**Amphenol LTW**  
 安費諾亮泰企業股份有限公司

ITEM NO	DRAWN BY	DATE
DWG NO  MSAS-XXPFFS-SF8BXX	Vicky	2019-09-24
CUSTOMER	CHECKED BY	DATE
ALTW	Rita	2019-09-24
	APPROVED BY	DATE
	Max	2019-09-24