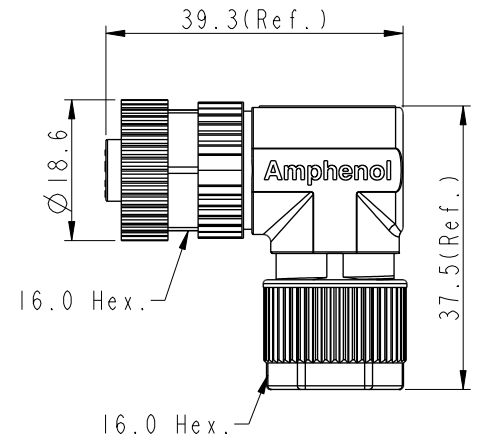
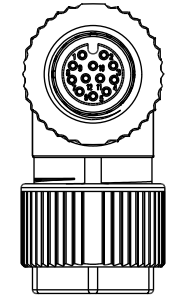
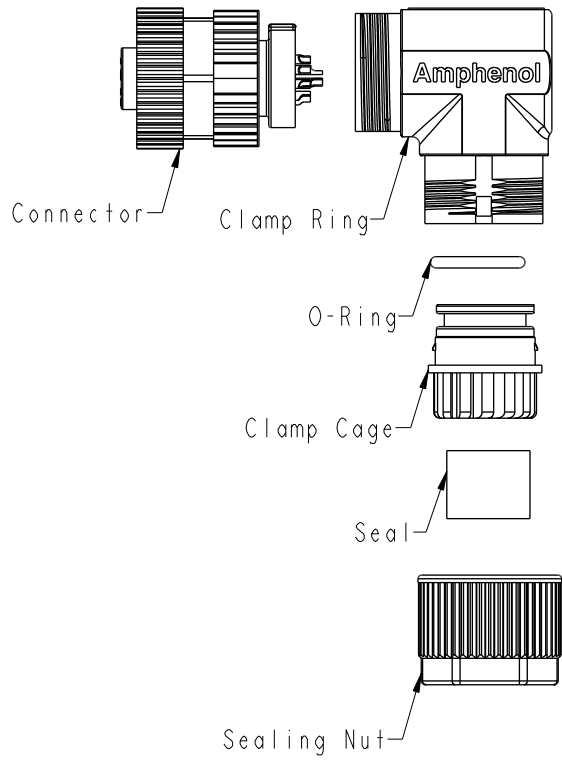


THIS DOCUMENT IS SUBJECT TO CHANGE WITHOUT NOTICE. IT IS CONFIDENTIAL AND A PROPERTY OF Amphenol LTW. DISCLOSURE TO THIRD PARTY HAS TO BE AUTHORIZED BY Amphenol LTW.

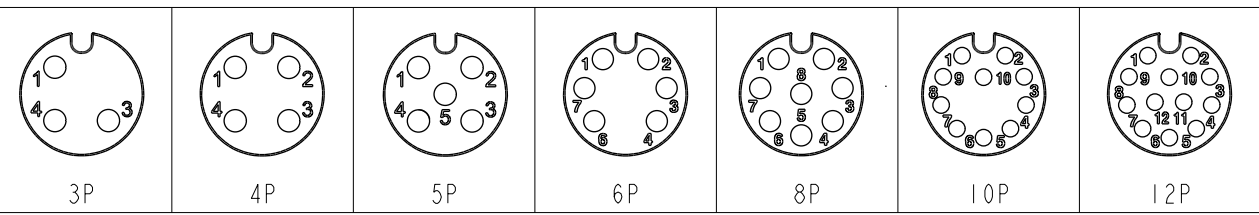
REV.	ECN NO.	DATE	SIGN	DESCRIPTION
C	C200792	2020/06/12	JC Chen	$\triangle C$ X2
D	C210007	2020/12/29	Ruru	$\triangle D$ X5
E	C210561	2021/04/15	Vicky	$\triangle E$ X2



$\triangle C$ $\triangle D$
MSAS-XXBFFA-SR7001

XX: No. Of Pin

- $\triangle E$
Note:
- * RoHS Compliant
 - * CC Important Dimension
 - * Waterproof rate: IPX7, mated
 - * Connector
Housing: Thermoplastic, Black
Pin: Copper alloy, Gold plated
Extension Nut: Metal
 - * Nut: Metal
 - * O-Ring: Rubber, Gray
 - * $\triangle D$ Clamp Ring: Metal
 - * O-Ring: Rubber, Gray
 - * Clamp Cage: Thermoplastic, Black
 - * $\triangle D$ Sealing Nut: Metal
 - * Seal: Rubber, Gray, OD: $\phi 4.0\text{mm} \sim \phi 7.5\text{mm}$
 - * One set unassembled in one pe bag



Pin Assignments Front View

UNIT: mm	M	C
TOLERANCE		
.X	± 0.25	
.XX	± 0.1	
.XXX	± 0.05	
ANGLES	$\pm 1^\circ$	

TITLE N SEN, M12 A -SHLD, SCREW $\triangle D$ $\triangle E$ CABLE W/O SR, F, F, FI SOLDER		
SCALE 1:1	SIZE A4	SHEET 1 OF 1
REV. E	WC-REV. .0	CC : Inspection item

Amphenol LTW
安費諾亮泰企業股份有限公司

ITEM NO.	DRAWN BY Yulong_wang	DATE 2016-07-22
DWG NO. MSAS-XXBFFA-SR7001	CHECKED BY Jinhai	DATE 2016-07-22
CUSTOMER ALTW	APPROVED BY Jerry	DATE 2016-07-22