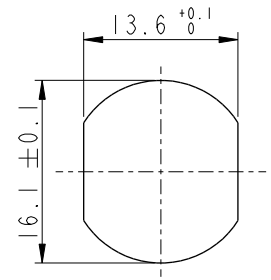


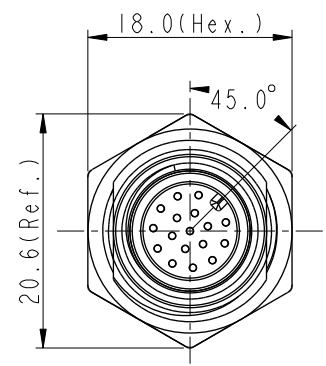
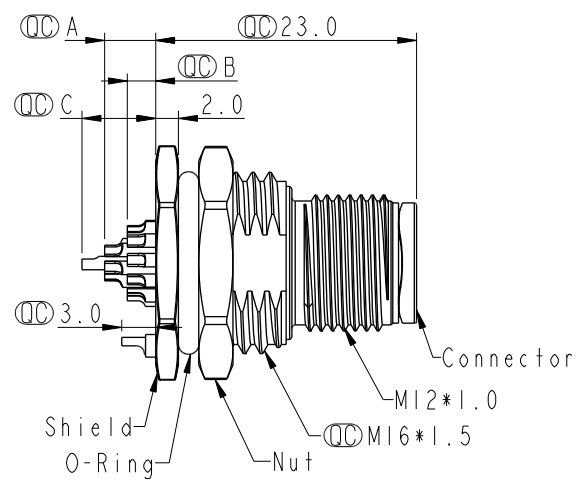
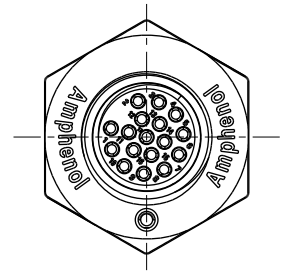
THIS DOCUMENT IS SUBJECT TO CHANGE WITHOUT NOTICE. IT IS CONFIDENTIAL AND A PROPERTY OF Amphenol LTW. DISCLOSURE TO THIRD PARTY HAS TO BE AUTHORIZED BY Amphenol LTW.

REV.	ECN NO.	DATE	SIGN	DESCRIPTION
C	C201693	2020/10/29	Vicky	$\triangle C$ X1
D	C210076	2021/01/14	Vicky	$\triangle D$ X2
E	C210309	2021/03/10	Ruru	$\triangle E$ X2



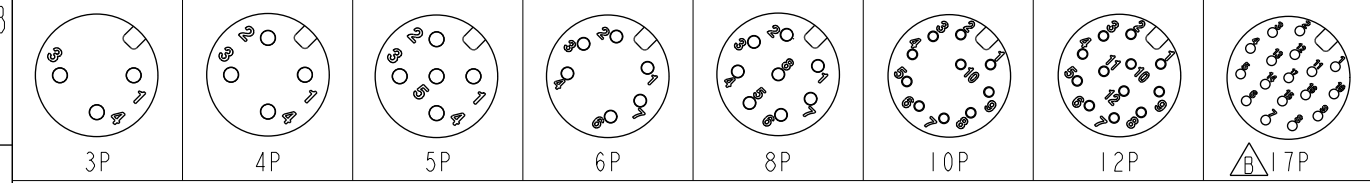
Recommended Panel Cut-Out

$\triangle B$
MSAS-XXPMMS-SF8002
XX: No. Of Pin



MSAS-03PMMS-SF8002		2.5	
MSAS-04PMMS-SF8002		2.5	
MSAS-05PMMS-SF8002		2.5	
MSAS-06PMMS-SF8002		2.5	
MSAS-08PMMS-SF8002		2.5	
MSAS-10PMMS-SF8002	4.5	2.5	
MSAS-12PMMS-SF8002	4.5	2.5	
MSAS-17PMMS-SF8002	4.5	2.5	6.5

$\triangle C$ Item No. A B C $\triangle B$
Pin伸出長度



Pin Assignment Front View

$\triangle B \triangle E$ Note:

- * RoHS Compliant
- * CC Important dimension
- * Waterproof rate: IPX8, unmated 1m/24h
IPX9K, unmated
- * Connector
Housing: Thermoplastic, Black
Pin: Copper alloy, Gold plated
- $\triangle D$ * Shield: Metal
- $\triangle D$ * Nut: Metal
- * O-Ring: Rubber, Black
- * For panel thickness max: 4.5mm
- * Nut is packed separately in pe bag

UNIT: mm		TITLE N SEN, M12 A -SHLD, SCREW RECEPTACLE, M, M, SOLDER $\triangle E$
TOLERANCE .X ±0.25 .XX ±0.1 .XXX ±0.05 ANGLES ±1°	SCALE 1:1	SIZE A4
	REV. E	SHEET 1 OF 1
	WC-REV. .0	CC : Inspection item

Amphenol LTW
安費諾亮泰企業股份有限公司

ITEM NO.	DRAWN BY Feng_Li	DATE 2017-05-22
DWG NO. $\triangle B$ MSAS-XXPMMS-SF8002	CHECKED BY Jinhai	DATE 2017-05-22
CUSTOMER ALTW	APPROVED BY Jerry	DATE 2017-05-22