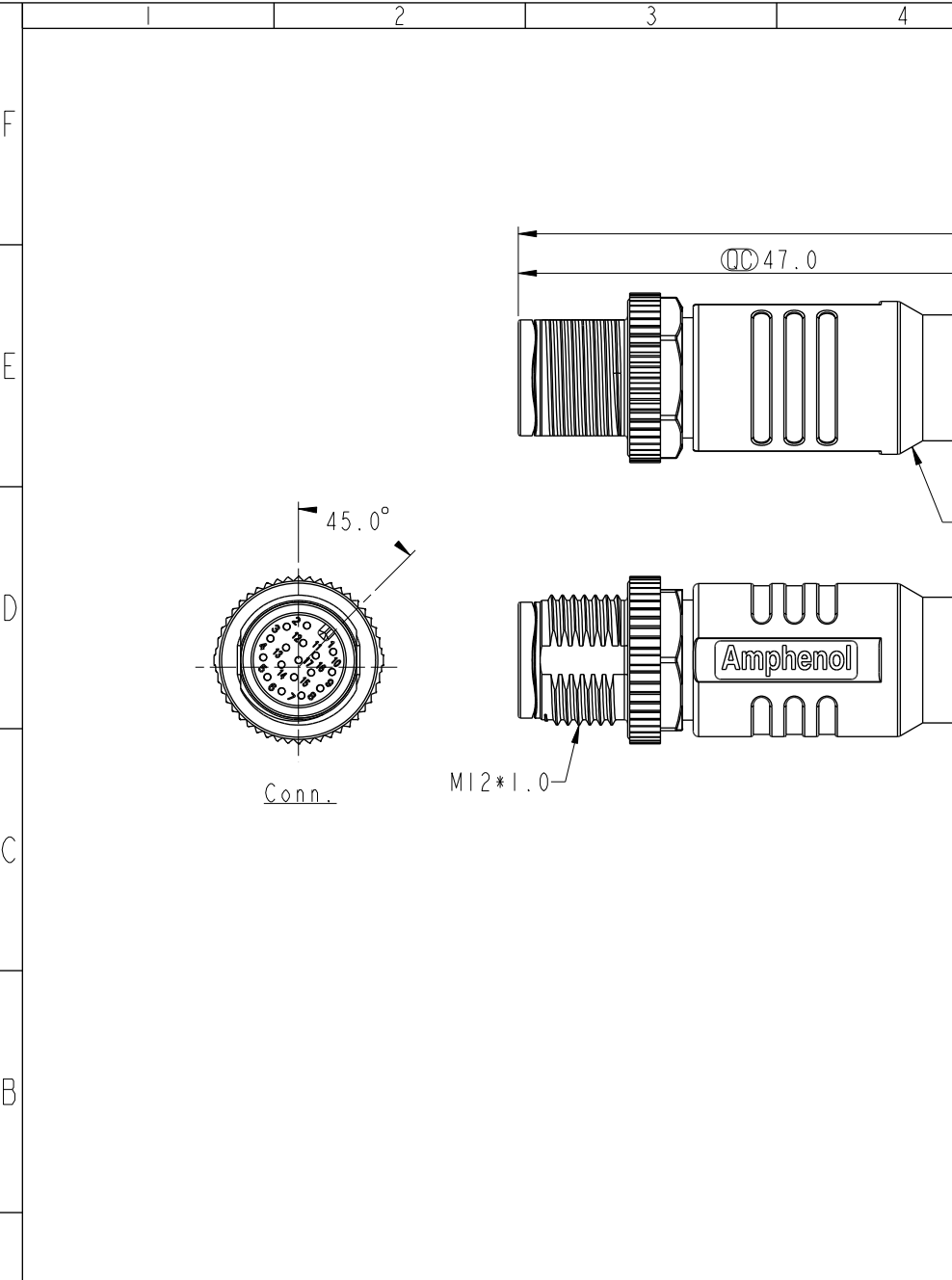


THIS DOCUMENT IS SUBJECT TO CHANGE WITHOUT NOTICE. IT IS CONFIDENTIAL AND A PROPERTY OF Amphenol LTW. DISCLOSURE TO THIRD PARTY HAS TO BE AUTHORIZED BY Amphenol LTW.

REV.	ECN NO.	DATE	SIGN	DESCRIPTION
F	C201607	2020/10/16	Vicky	$\triangle F$ X4
G	C210081	2021/01/19	Vicky	$\triangle G$ X1
H	C210429	2021/03/26	Vicky	$\triangle H$ X4



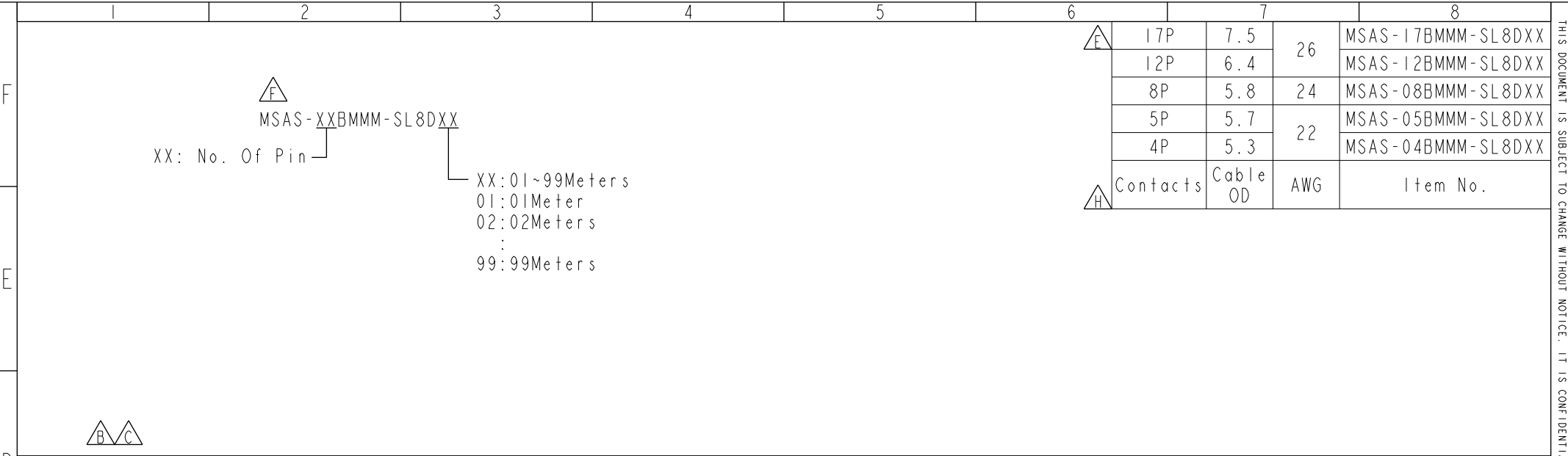
- $\triangle E \triangle H$ Note:
- * RoHS Compliant
 - * $\text{\textcircled{C}}$ Important dimension
 - * Waterproof rate: IPX8, mated 1m/24h
 - * Connector
 - Housing: Thermoplastic, Black
 - Pin: Copper alloy, Gold plated
 - $\triangle F \triangle G$ Nut: Metal
 - Shield: Metal
 - Outer mold: Thermoplastic, Black
 - $\triangle B$ * Cable: UL2517, Shield, PVC Jacket, Black
 - * Cable length tolerance:
 - 1M < L \leq 3M: +100/-0 mm
 - 3M < L \leq 5M: +150/-0 mm
 - 5M < L \leq 10M: \pm 100 mm
 - 10M < L \leq 20M: \pm 200 mm
 - 20M < L \leq 30M: \pm 300 mm
 - 30M < L \leq 99M: \pm 500 mm

UNIT: mm			TITLE N SEN, M12 A -SHLD, SCREW CABLE W/O SR, M, M, MOLDING	$\triangle H$
TOLERANCE $\pm 0.5\text{mm}$	SCALE 3:2	SIZE A4	SHEET 1 OF 2	REV. H
	WC-REV. A.1	$\text{\textcircled{C}}$: Inspection item		

Amphenol LTW
安費諾亮泰企業股份有限公司

ITEM NO.	DRAWN BY Cynthia	DATE 2019/05/13
DWG NO. $\triangle F$ MSAS-XXBMM-SL8DXX	CHECKED BY Wen	DATE 2019/05/13
CUSTOMER ALTW	APPROVED BY Neo	DATE 2019/05/13

THIS DOCUMENT IS SUBJECT TO CHANGE WITHOUT NOTICE. IT IS CONFIDENTIAL AND A PROPERTY OF Amphenol LTW. DISCLOSURE TO THIRD PARTY HAS TO BE AUTHORIZED BY Amphenol LTW.



Pin Out	Shield	Braid	Shield	Braid	Shield	Braid	Shield	Braid	Shield	Braid	Shield	Braid	Shield	Braid			
5	--	--	5	--	5	Gray	灰	5	--	5	Gray	灰	5	Gray	灰		
4	Black	黑	4	Black	4	Black	黑	4	Yellow	黃	4	Yellow	4	Yellow	黃		
3	Blue	藍	3	Blue	3	Blue	藍	3	Green	綠	3	Green	3	Green	綠		
2	--	--	2	White	白	2	White	白	2	Brown	棕	2	Brown	棕	2	Brown	棕
1	Brown	棕	1	Brown	棕	1	Brown	棕	1	White	白	1	White	白	1	White	白
	Pin #	Wire	Pin #	Wire	Pin #	Wire	Wire	Pin #	Wire	Pin #	Wire	Wire	Pin #	Wire	Pin #	Wire	

Pin Assignments Front View

UNIT: mm TOLERANCE ±0.5mm	TITLE N SEN, M12 A -SHLD, SCREW CABLE W/O SR, M, M, MOLDING		Amphenol LTW 安費諾亮泰企業股份有限公司		ITEM NO	DRAWN BY	DATE
	SCALE	SIZE			SHEET	OF	DWG NO
	REV.	WC-REV.	(CC) Inspection item		CUSTOMER	APPROVED BY	DATE