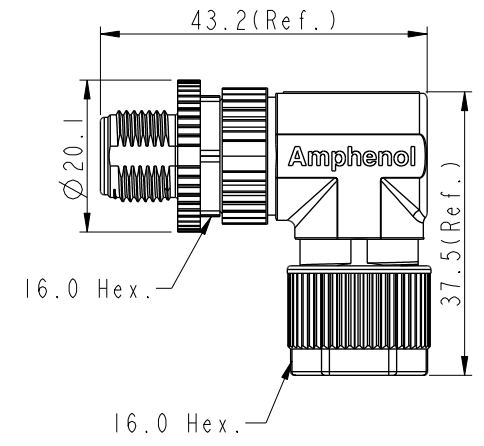
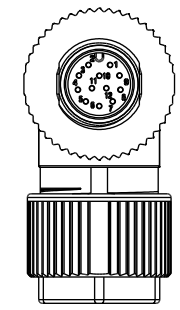
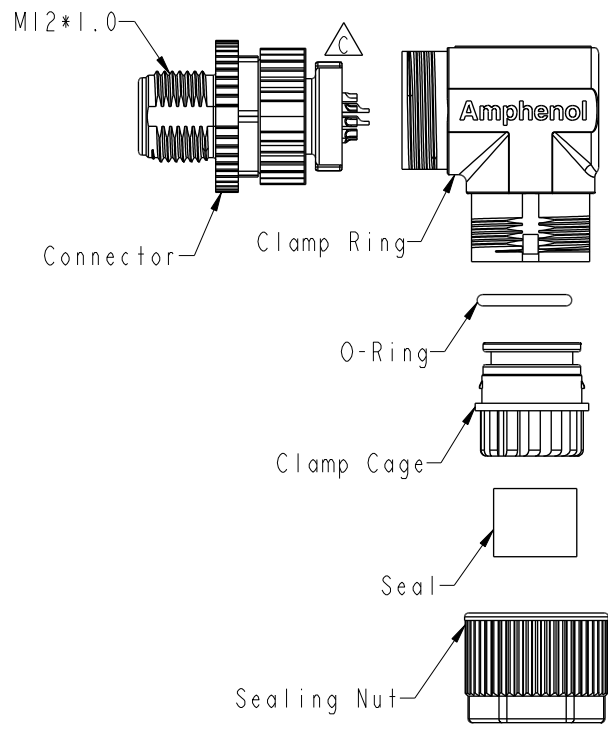


THIS DOCUMENT IS SUBJECT TO CHANGE WITHOUT NOTICE. IT IS CONFIDENTIAL AND A PROPERTY OF Amphenol LTW. DISCLOSURE TO THIRD PARTY HAS TO BE AUTHORIZED BY Amphenol LTW.

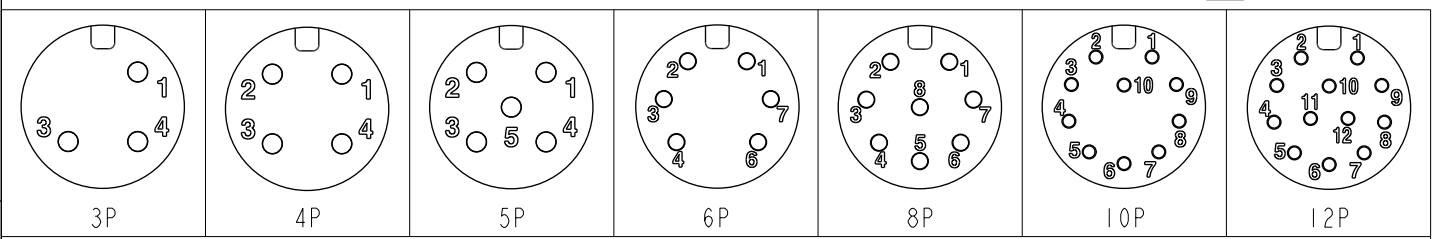
REV.	ECN NO.	DATE	SIGN	DESCRIPTION
C	C200793	2020/06/12	JC Chen	$\triangle C$ X2
D	C210076	2021/01/14	Vicky	$\triangle D$ X3
E	C210561	2021/04/15	Vicky	$\triangle E$ X3



$\triangle E$
MSAS-XXBMMMA-SR7001

XX: No. Of Pin

$\triangle E$
Note:
 * RoHS Compliant
 * $\text{\textcircled{C}}$ Important Dimension
 * Waterproof rate: IPX7, mated
 * Connector
 Housing: Thermoplastic, Black
 Pin: Copper alloy, Gold plated
 Extension Nut: Metal
 $\triangle D$ Nut: Metal
 O-Ring: Rubber, Gray
 $\triangle D$ * Clamp Ring: Metal
 * O-Ring: Rubber, Gray
 * Clamp Cage: Thermoplastic, Black
 $\triangle D$ * Sealing Nut: Metal
 * Seal: Rubber, Gray, OD: \varnothing 4.0mm~ \varnothing 7.5mm
 * One set unassembled in one pe bag



Pin Assignments Front View

UNIT: mm 	TOLERANCE .X ±0.25 .XX ±0.1 .XXX ±0.05 ANGLES ±1°		TITLE N SEN, M12 A -SHLD, SCREW CABLE W/O SR, M, M, FI SOLDER $\triangle E$		Amphenol LTW 安費諾亮泰企業股份有限公司	ITEM NO. MSAS-XXBMMMA-SR7001	DRAWN BY Yulong_wang	DATE 2016-07-22	
	SCALE 1:1		SIZE A4			SHEET 1 OF 1	DWG NO. MSAS-XXBMMMA-SR7001	CHECKED BY Jinhai	DATE 2016-07-22
	REV. E		WC-REV. .0			$\text{\textcircled{C}}$: Inspection item	CUSTOMER ALTW	APPROVED BY Jerry	DATE 2016-07-22