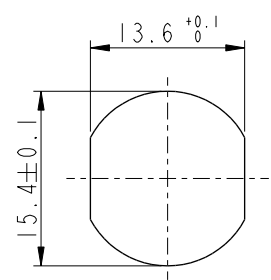


THIS DOCUMENT IS SUBJECT TO CHANGE WITHOUT NOTICE. IT IS CONFIDENTIAL AND A PROPERTY OF Amphenol LTW. DISCLOSURE TO THIRD PARTY HAS TO BE AUTHORIZED BY Amphenol LTW.

REV.	ECN NO.	DATE	SIGN	DESCRIPTION
E	C201627	2020/10/22	Vicky	$\triangle E$ X4
F	C210076	2021/01/14	Vicky	$\triangle F$ X2
G	C210309	2021/03/09	Ruru	$\triangle G$ X3

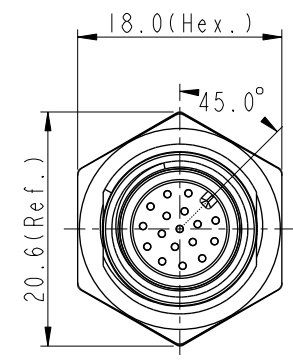
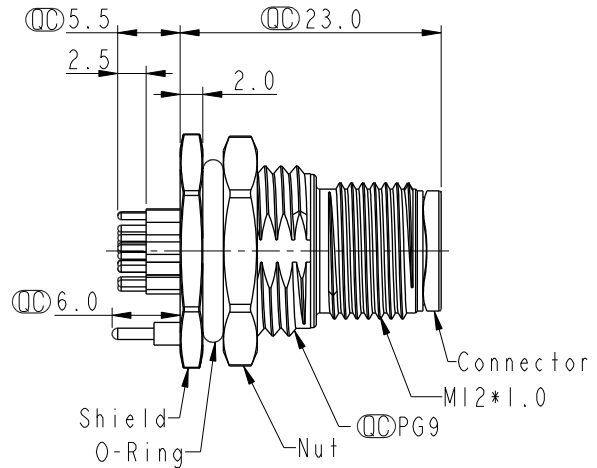
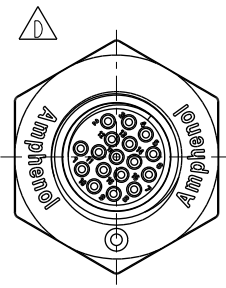


Recommended Panel Cut-Out

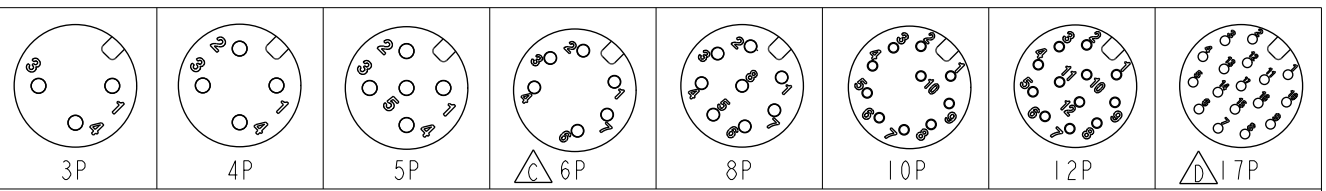
$\triangle B$

$\triangle E$
MSAS-XXPMMP-SF8001

XX: No. Of Pin



- $\triangle E \triangle G$ Note:
- * RoHS Compliant
 - * CC Important dimension
 - $\triangle C$ * Waterproof rate: IPX8, unmated 1m/24h IPX9K, unmated
 - * Connector
 - Housing: Thermoplastic, Black
 - Pin: Copper alloy, Gold plated
 - Shield: Metal
 - Nut: Metal
 - O-Ring: Rubber, Black
 - For panel thickness max: 4.5mm
 - Nut is packed separately in pe bag



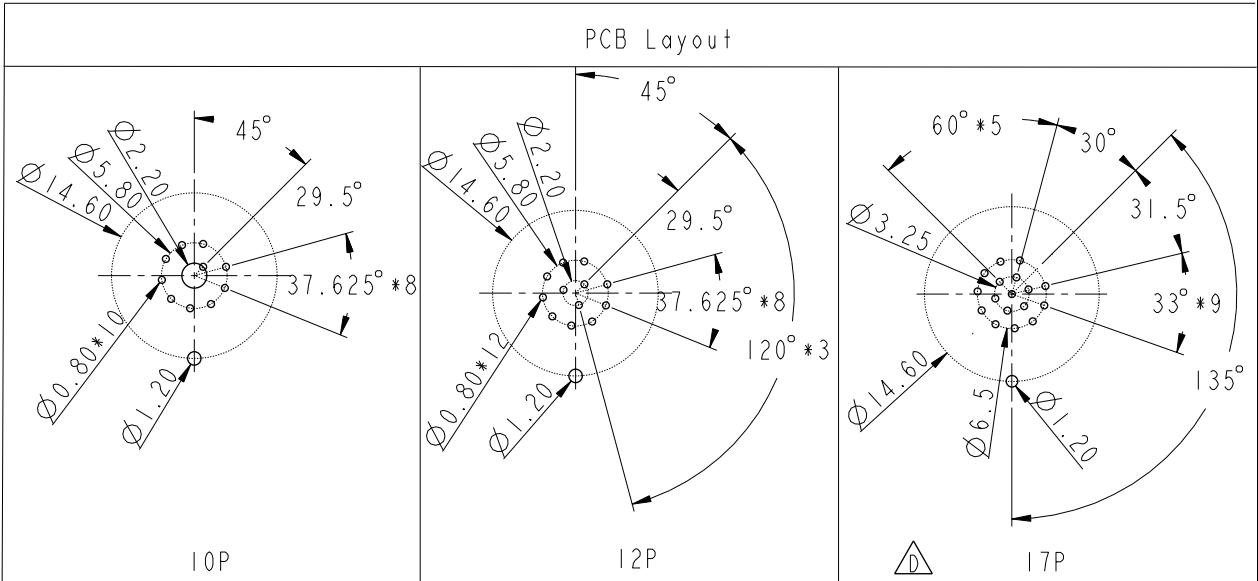
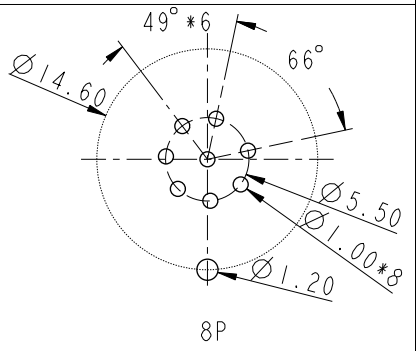
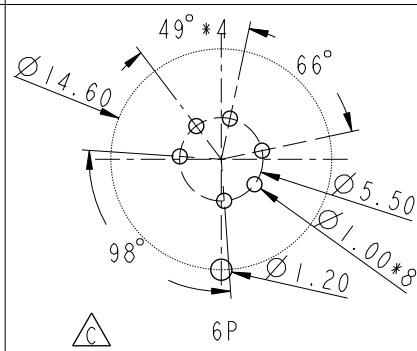
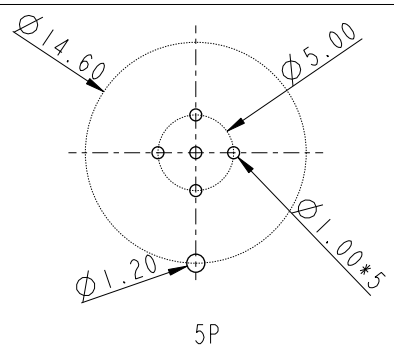
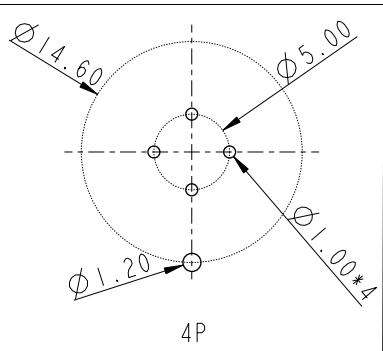
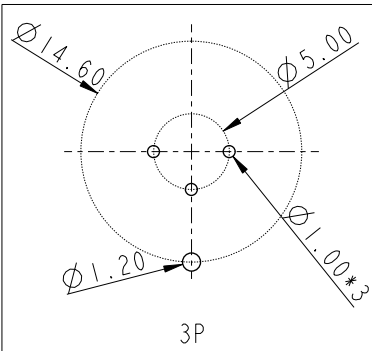
Pin Assignment Front View

UNIT: mm		TITLE N SEN, M12 A -SHLD, SCREW RECEPTACLE, M, M, PCB S $\triangle G$		Amphenol LTW 安費諾亮泰企業股份有限公司	ITEM NO	DRAWN BY Yulong_wang	DATE 2016-08-10
		TOLERANCE .X ±0.25 .XX ±0.1 .XXX ±0.05 ANGLES ±1°	SCALE 2:1		SIZE A4	SHEET 1 OF 2	DWG NO $\triangle E$ MSAS-XXPMMP-SF8001
		REV. G	WC-REV. A.5	CC : Inspection item	CUSTOMER ALTW	APPROVED BY Jerry	DATE 2016-08-10

THIS DOCUMENT IS SUBJECT TO CHANGE WITHOUT NOTICE. IT IS CONFIDENTIAL AND A PROPERTY OF Amphenol LTW. DISCLOSURE TO THIRD PARTY HAS TO BE AUTHORIZED BY Amphenol LTW.

2 3 4 5 6 7 8

F
E
D
C
B
A



UNIT: mm	
TOLERANCE	
.X	±0.25
.XX	±0.1
.XXX	±0.05
ANGLES	±1°

TITLE N SEN, M12 A -SHLD, SCREW RECEPTACLE, M, M, PCB S			
SCALE 2:1	SIZE A4	SHEET 2 OF 2	
REV. G	WC-REV. A.4	☉: Inspection item	

Amphenol LTW
安費諾亮泰企業股份有限公司

ITEM NO	
DWG NO	MSAS-XXPMMP-SF8001
CUSTOMER	ALTW

DRAWN BY	Yulong_wang
CHECKED BY	Jinhai
APPROVED BY	Jerry

DATE	2016-08-10
DATE	2016-08-10
DATE	2016-08-10