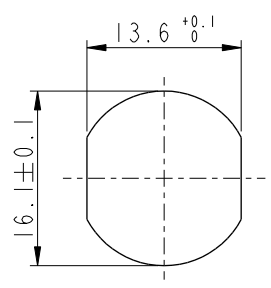


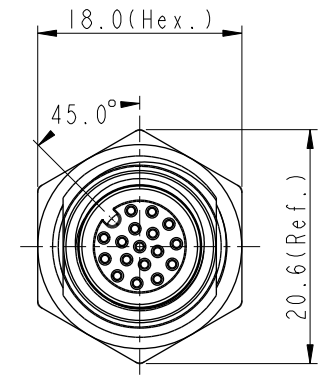
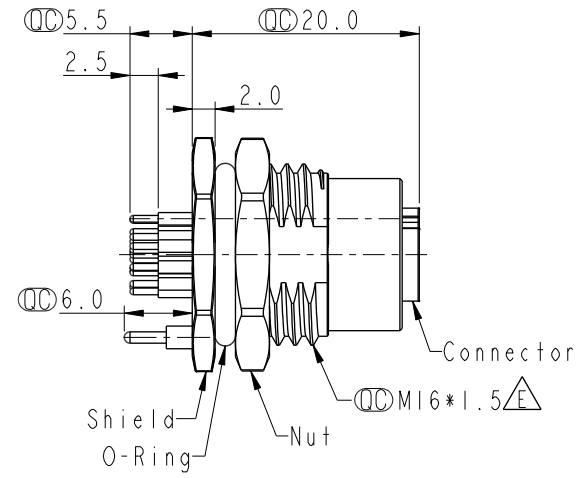
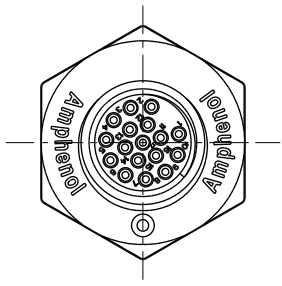
THIS DOCUMENT IS SUBJECT TO CHANGE WITHOUT NOTICE. IT IS CONFIDENTIAL AND A PROPERTY OF Amphenol LTW. DISCLOSURE TO THIRD PARTY HAS TO BE AUTHORIZED BY Amphenol LTW.

REV.	ECN NO.	DATE	SIGN	DESCRIPTION
D	BOMR20070098	2020/07/21	Peng	X5
E	C201453	2020/10/14	Ruru	X6
F	C210309	2021/03/09	Ruru	X3

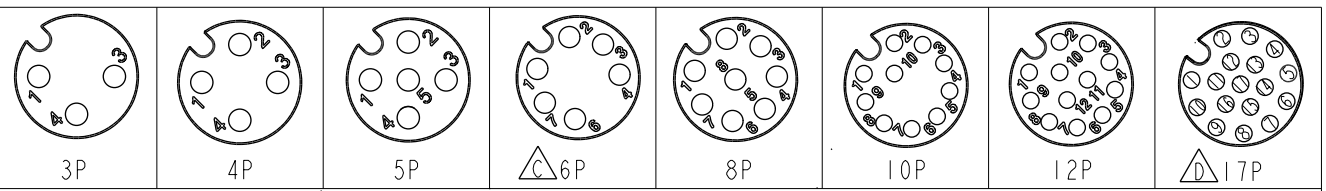


△E △D △C
MSAS-XXPFFP-SF8002
XX: No. Of Pin

Recommended Panel Cut-Out



- △E △F Note:
- * RoHS Compliant
 - * Ⓞ Important dimension
 - * △C Waterprooff rate: IPX8, unmated 1m/24h IPX9K, unmated
 - * Connector
 - Housing: Thermoplastic, Black
 - Pin: Copper alloy, Gold plated
 - O-Ring: Rubber, Green
 - * Shield: Metal
 - * Nut: Metal
 - * O-Ring: Rubber, Black
 - * For panel thickness max: 4.5mm
 - * Nut is packed separately in pe bag



Pin Assignment Front View

UNIT: mm

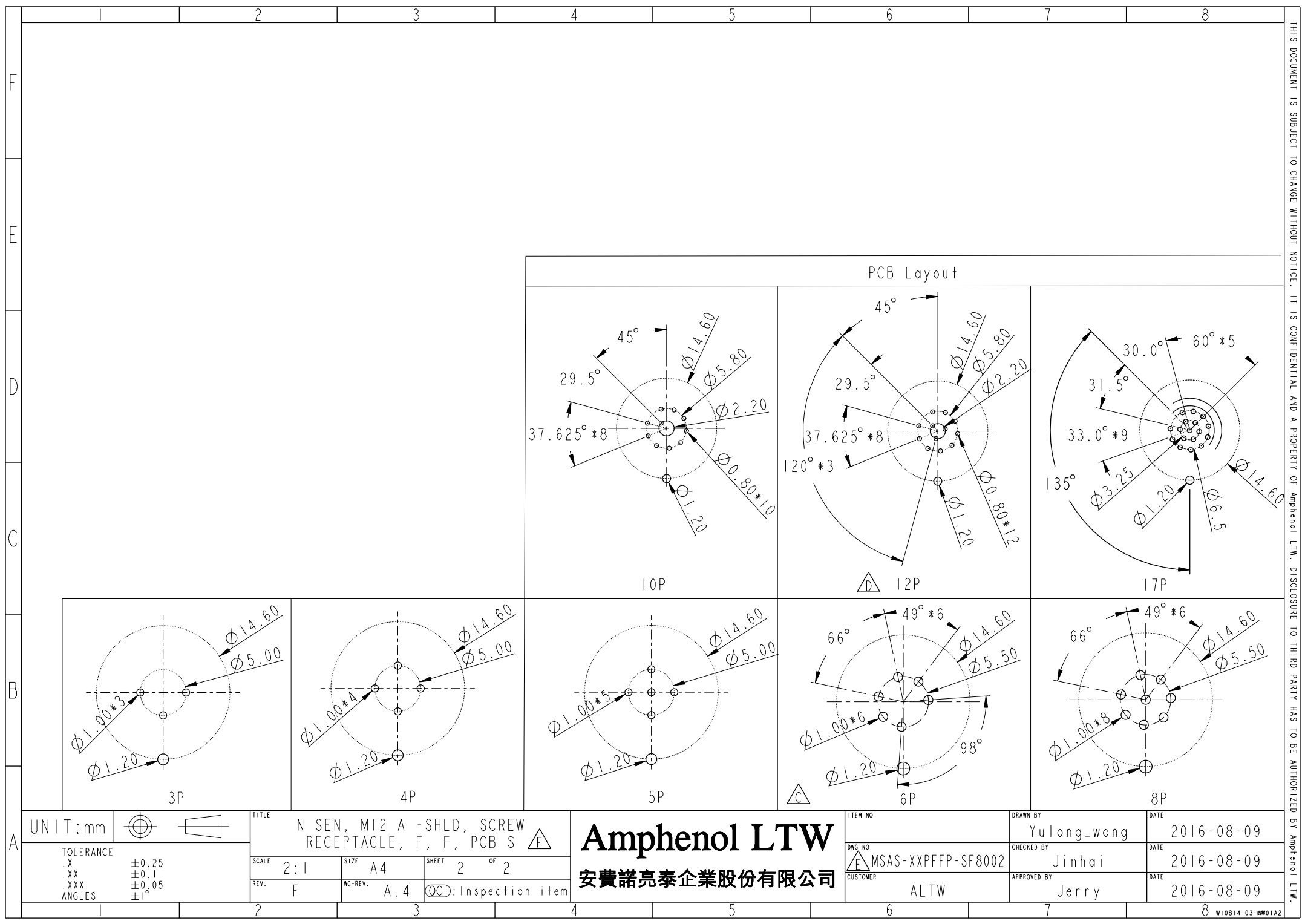
TOLERANCE	
.X	±0.25
.XX	±0.1
.XXX	±0.05
ANGLES	±1°

TITLE N SEN, M12 A -SHLD, SCREW RECEPTACLE, F, F, PCB S △E			
SCALE	SIZE	SHEET	OF
2:1	A4	1	2
REV.	WC-REV.	Ⓞ: Inspection item	
F	A.5		

Amphenol LTW
安費諾亮泰企業股份有限公司

ITEM NO	DRAWN BY	DATE
	Yulong_wang	2016-08-09
DWG NO	CHECKED BY	DATE
△E MSAS-XXPFFP-SF8002	Jinhai	2016-08-09
CUSTOMER	APPROVED BY	DATE
ALTW	Jerry	2016-08-09

THIS DOCUMENT IS SUBJECT TO CHANGE WITHOUT NOTICE. IT IS CONFIDENTIAL AND A PROPERTY OF Amphenol LTW. DISCLOSURE TO THIRD PARTY HAS TO BE AUTHORIZED BY Amphenol LTW.



UNIT: mm		
TOLERANCE	.X	±0.25
	.XX	±0.1
	.XXX	±0.05
ANGLES		±1°

TITLE N SEN, M12 A -SHLD, SCREW RECEPTACLE, F, F, PCB S		
SCALE 2:1	SIZE A4	SHEET 2 OF 2
REV. F	WC-REV. A.4	Inspection item

Amphenol LTW
安費諾亮泰企業股份有限公司

ITEM NO	DWG NO
	MSAS-XXPFFP-SF8002
CUSTOMER	ALTW

DRAWN BY	CHECKED BY
Yulong_wang	Jinhai
APPROVED BY	
Jerry	

DATE	DATE
2016-08-09	2016-08-09
DATE	DATE
2016-08-09	2016-08-09