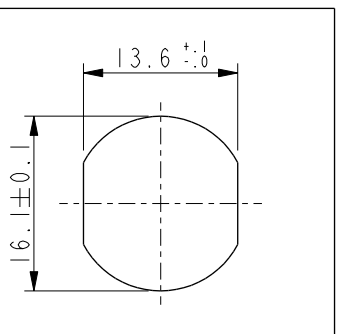
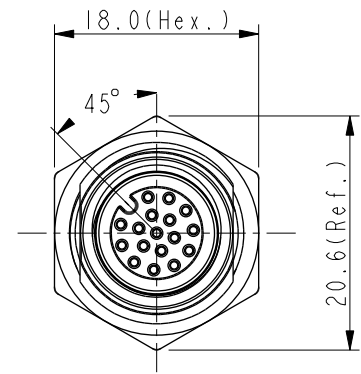
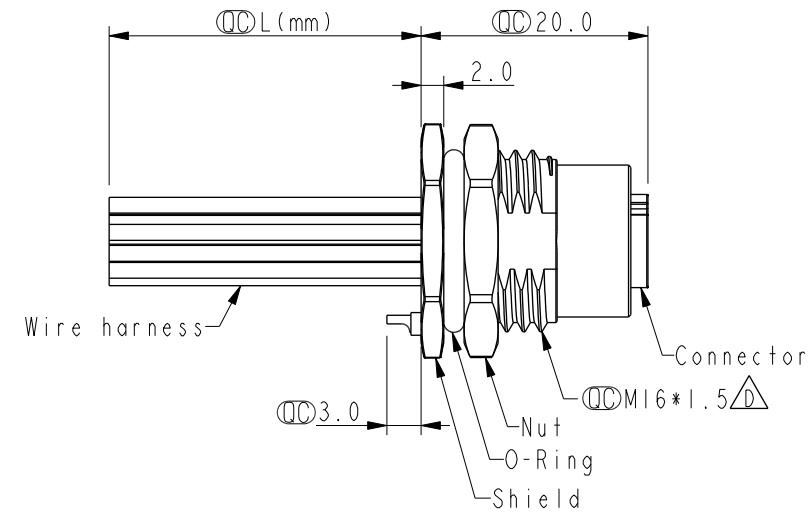
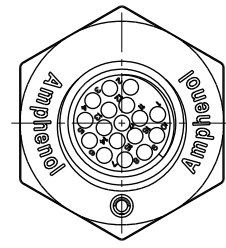


THIS DOCUMENT IS SUBJECT TO CHANGE WITHOUT NOTICE. IT IS CONFIDENTIAL AND A PROPERTY OF Amphenol LTW. DISCLOSURE TO THIRD PARTY HAS TO BE AUTHORIZED BY Amphenol LTW.

REV.	ECN NO.	DATE	SIGN	DESCRIPTION
C	BOMR19110191	2019/11/27	Peng	X4
D	C201453	2020/10/15	Ruru	X10
E	C210241	2021/04/13	Ruru	X4



- Note:
- * RoHS Compliant
 - * Important dimension
 - * Waterproof rate: IPX8, unmated 1m/24h
IPX9K, unmated
 - * Connector
 - Housing: Thermoplastic, Black
 - Pin: Copper alloy, Gold plated
 - O-Ring: Rubber, Green
 - * Shield: Metal
 - * Nut: Metal
 - * O-Ring: Rubber, Black
 - * Wire harness: UL1061
 - * For panel thickness max: 4.5mm
 - * O-Ring and nut are assembled on connectors
 - * Wire harness tolerance:
 - 100mm < L ≤ 300mm: ±15mm
 - 300mm < L ≤ 1000mm: ±20mm
 - 1000mm < L ≤ 1500mm: ±50mm

Recommended Panel Cut-Out


UNIT: mm		
TOLERANCE		
.X	±0.25	
.XX	±0.1	
.XXX	±0.05	
ANGLES	±1°	

TITLE N SEN, M12 A -SHLD, SCREW RECEPTACLE, F, F, FI/PANEL CRIMP				
SCALE 3:2	SIZE A4	SHEET 1 OF 2		
REV. E	WC-REV. A.3	Inspection item		

Amphenol LTW
安費諾亮泰企業股份有限公司

ITEM NO.	DRAWN BY Vicky	DATE 2019-09-24
DWG NO. MSAS-XXPFFC-SF8CXX	CHECKED BY Rita	DATE 2019-09-24
CUSTOMER ALTW	APPROVED BY Max	DATE 2019-09-24

THIS DOCUMENT IS SUBJECT TO CHANGE WITHOUT NOTICE. IT IS CONFIDENTIAL AND A PROPERTY OF AMPHENOL LTW. DISCLOSURE TO THIRD PARTY HAS TO BE AUTHORIZED BY AMPHENOL LTW.

		7	8
	17P	26	MSAS-17PFFC-SF8CXX
	5P	22	MSAS-05PFFC-SF8CXX
	4P		MSAS-04PFFC-SF8CXX
	3P		MSAS-03PFFC-SF8CXX
Contacts	AWG	Item No.	



MSAS-XXPFFC-SF8CXX

XX: No. Of Pin

10: 100mm
 15: 150mm
 20: 200mm
 ↓
 95: 950mm
 Cable Pitch Unit: 50mm

 A0: 1000mm
 ↓
 A5: 1500mm
 Cable Pitch Unit: 100mm
 Wire Length(L): 150~1500mm

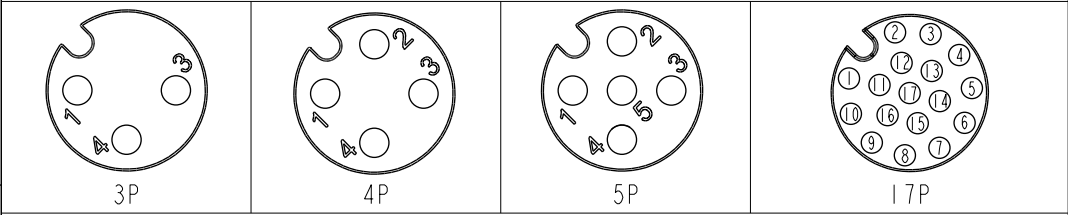


17	White/Gray	白/灰
16	Yellow/Brown	黃/棕
15	White/Yellow	白/黃
14	Brown/Green	棕/綠
13	White/Green	白/綠
12	Red/Blue	紅/藍
11	Gray/Pink	灰/粉
10	Violet	紫
9	Red	紅
8	Gray	灰
7	Black	黑
6	Yellow	黃
5	Pink	粉
4	Green	綠
3	White	白
2	Blue	藍
1	Brown	棕

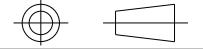
5	--	5	--	5	Gray	灰
4	Black	4	Black	4	Black	黑
3	Blue	3	Blue	3	Blue	藍
2	--	2	White	2	White	白
1	Brown	1	Brown	1	Brown	棕

Pin #	Wire	Pin #	Wire	Pin #	Wire	Pin #	Wire
-------	------	-------	------	-------	------	-------	------

Pin Out



Pin Assignments Front View

UNIT: mm		TITLE	N SEN, M12 A -SHLD, SCREW RECEPTACLE, F, F, FI/PANEL CRIMP		
TOLERANCE	.X ±0.25 .XX ±0.1 .XXX ±0.05 ANGLES ±1°	SCALE	3:2	SIZE	A4
		REV.	E	WC-REV.	A.3
		SHEET	2	OF	2
		QC: Inspection item			

Amphenol LTW
 安費諾亮泰企業股份有限公司

ITEM NO	MSAS-XXPFFC-SF8CXX	DRAWN BY	Vicky	DATE	2019-09-24
DWG NO	MSAS-XXPFFC-SF8CXX	CHECKED BY	Rita	DATE	2019-09-24
CUSTOMER	ALTW	APPROVED BY	Max	DATE	2019-09-24