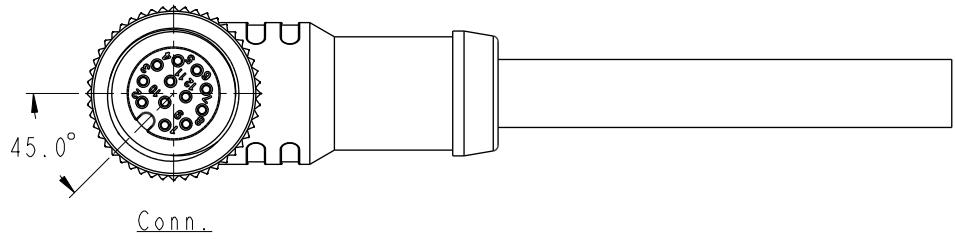
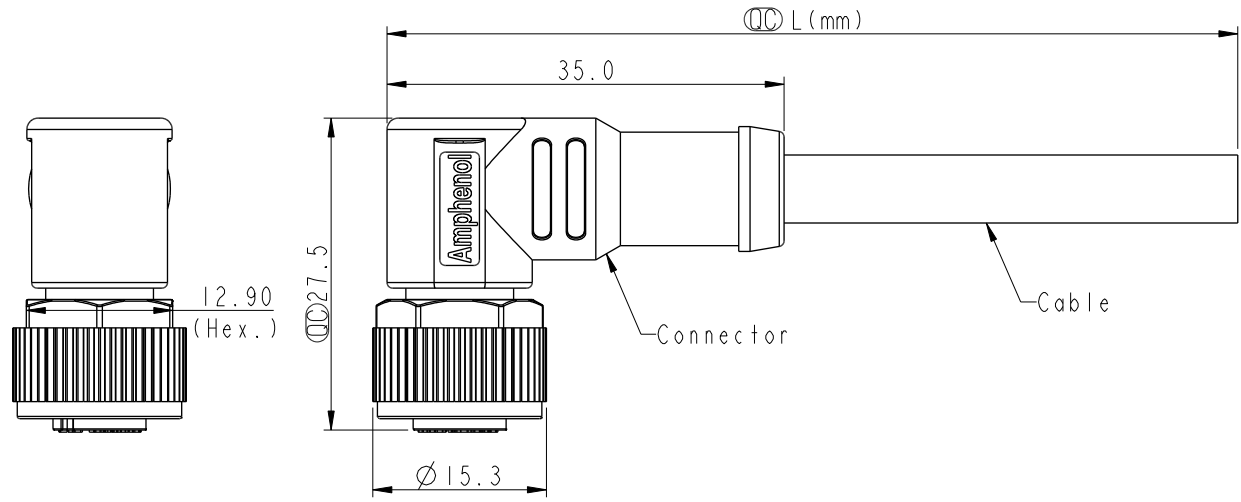


REV.	ECN NO.	DATE	SIGN	DESCRIPTION
D	LEN1750126~29	2017/04/06	Lingpeng	Change The Cable OD
E	C201451	2020/10/12	Ruru	$\triangle E$ X5
F	C210222	2021/03/19	Vicky	$\triangle F$ X4



$\triangle E$ $\triangle F$

Note:

- * RoHS Compliant
- * CC Important dimension
- $\triangle C$ * Waterproof rate: IPX8, mated 1m/24h
IPX9K, mated
- * Connector
Housing: Thermoplastic, Black
Pin: Copper alloy, Gold plated
O-Ring: Rubber, Green
- $\triangle B$ * Nut: Thermoplastic, Black
Outer mold: Thermoplastic, Black
- $\triangle A$ * Cable: UL2517, PVC Jacket, Black
- * Cable length tolerance: 1M: +50/-0 mm
1M < L ≤ 3M: +100/-0 mm
3M < L ≤ 5M: +150/-0 mm
5M < L ≤ 10M: ±100 mm
10M < L ≤ 20M: ±200 mm
20M < L ≤ 30M: ±300 mm
30M < L ≤ 99M: ±500 mm

UNIT: mm		
TOLERANCE	±0.5mm	

TITLE N SEN, M12 A -PLASTIC, SCREW CABLE W/O SR, F, F, MOLDING			$\triangle E$
SCALE 3:2	SIZE A4	SHEET 1 OF 2	
REV. F	WC-REV. A.3	CC : Inspection item	

Amphenol LTW
安費諾亮泰企業股份有限公司

ITEM NO	DRAWN BY Lingpeng	DATE 2017-04-06
DWG NO $\triangle E$ MSAP-XXBFFM-SR8DXX	CHECKED BY Ma Fei	DATE 2017-04-06
CUSTOMER ALTW	APPROVED BY Jerry	DATE 2017-04-06

THIS DOCUMENT IS SUBJECT TO CHANGE WITHOUT NOTICE. IT IS CONFIDENTIAL AND A PROPERTY OF Amphenol LTW. DISCLOSURE TO THIRD PARTY HAS TO BE AUTHORIZED BY Amphenol LTW.

THIS DOCUMENT IS SUBJECT TO CHANGE WITHOUT NOTICE. IT IS CONFIDENTIAL AND A PROPERTY OF Amphenol LTW. DISCLOSURE TO THIRD PARTY HAS TO BE AUTHORIZED BY Amphenol LTW.

F	<p>MSAP-XXBFFM-SR8DXX</p> <p>XX: No. Of Pin</p> <p>XX: 01~99Meters 01: 01Meter 02: 02Meters : 99: 99Meters</p>	12P	6.0	26	MSAP-12BFFM-SR8DXX
		10P			MSAP-10BFFM-SR8DXX
		8P	5.5	24	MSAP-08BFFM-SR8DXX
		6P	5.0		MSAP-06BFFM-SR8DXX
		5P	5.1	22	MSAP-05BFFM-SR8DXX
		4P	4.8		MSAP-04BFFM-SR8DXX
		3P	4.5	MSAP-03BFFM-SR8DXX	
		F	Contacts	Cable OD	AWG

C	Pin Out	5	--	5	--	5	Gray	灰	5	--	5	Red	紅	12	--	12	Red/Blue	紅/藍				
		4	Black	黑	4	Black	黑	4	Black	黑	4	Blue	藍	7	Blue	藍	7	Blue	藍			
		3	Blue	藍	3	Blue	藍	3	Blue	藍	3	Green	綠	3	Green	綠	3	Green	綠			
		2	--	2	White	白	2	White	白	2	Brown	棕	2	Brown	棕	2	Brown	棕	2	Brown	棕	
		1	Brown	棕	1	Brown	棕	1	Brown	棕	1	White	白	1	White	白	1	White	白	1	White	白
		4	Black	黑	4	Black	黑	4	Black	黑	4	Yellow	黃	4	Yellow	黃	4	Yellow	黃	4	Yellow	黃
		3	Blue	藍	3	Blue	藍	3	Blue	藍	3	Green	綠	3	Green	綠	3	Green	綠	3	Green	綠
		2	--	2	White	白	2	White	白	2	Brown	棕	2	Brown	棕	2	Brown	棕	2	Brown	棕	
1	Brown	棕	1	Brown	棕	1	Brown	棕	1	White	白	1	White	白	1	White	白	1	White	白		
		Pin #	Wire	Pin #	Wire	Pin #	Wire	Pin #	Wire	Pin #	Wire	Pin #	Wire	Pin #	Wire	Pin #	Wire	Pin #	Wire			
B	Conn.		3P		4P		5P		6P		8P		10P		12P							

Pin Assignments Front View

A	UNIT:mm		TITLE N SEN, M12 A -PLASTIC, SCREW CABLE W/O SR, F, F, MOLDING SCALE 3:2 SIZE A4 SHEET 2 OF 2 REV. F WC-REV. A.3 (QC): Inspection item	Amphenol LTW 安費諾亮泰企業股份有限公司	ITEM NO	DRAWN BY	DATE
	TOLERANCE	±0.5mm			DWG NO	CHECKED BY	DATE
					MSAP-XXBFFM-SR8DXX	Ma Fei	2017-04-06
					CUSTOMER ALTW	APPROVED BY Jerry	DATE 2017-04-06