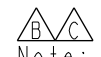
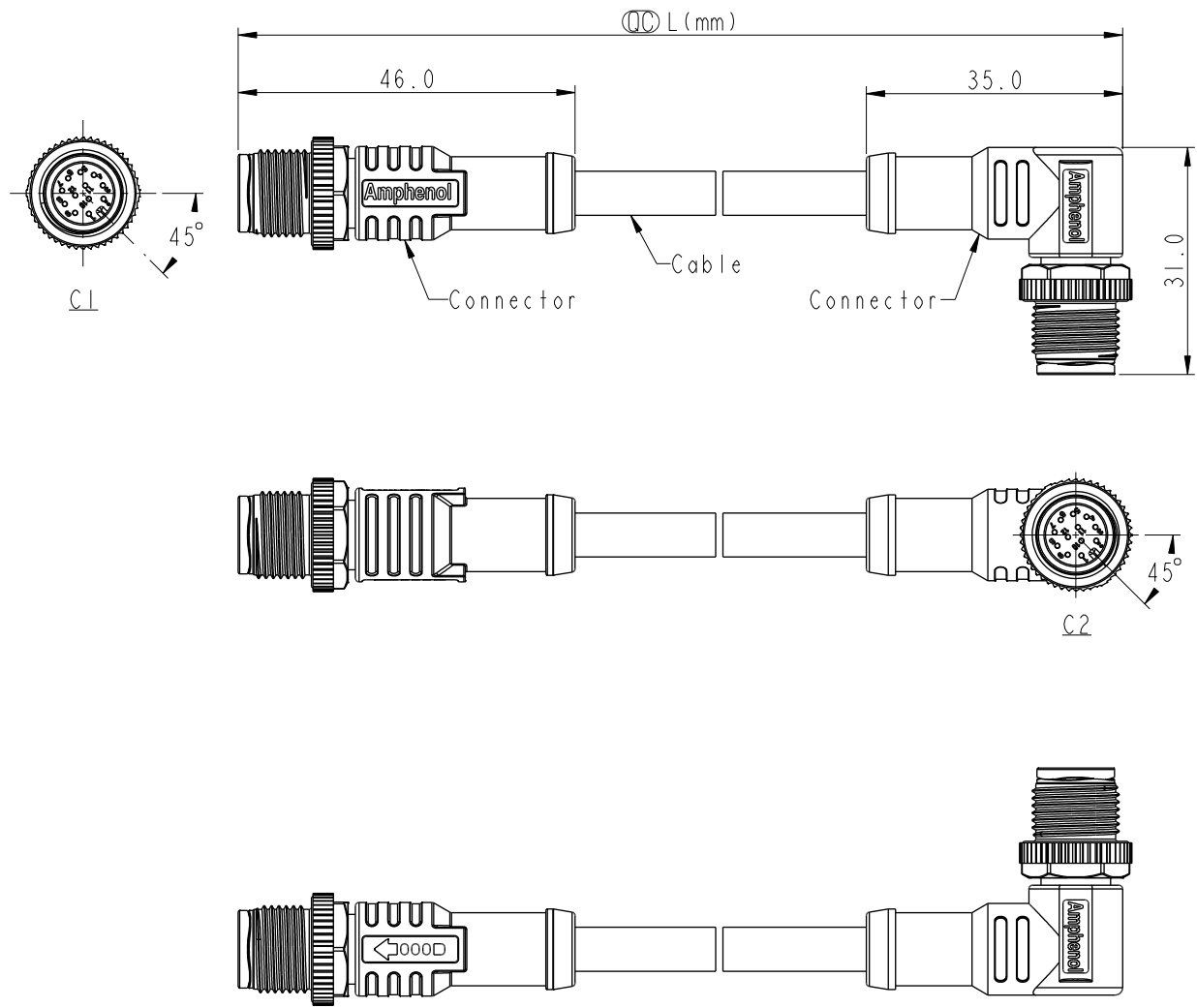


THIS DOCUMENT IS SUBJECT TO CHANGE WITHOUT NOTICE. IT IS CONFIDENTIAL AND A PROPERTY OF Amphenol LTW. DISCLOSURE TO THIRD PARTY HAS TO BE AUTHORIZED BY Amphenol LTW.

REV.	ECN NO.	DATE	SIGN	DESCRIPTION
B	C201759 & 60	2020/11/17	Vicky	\triangle_B X4
C	C210232	2021/04/06	Vicky	\triangle_C X4



Note:

- * RoHS Compliant
- * \circledR Important dimension
- * C1
Waterproof rate: IPX8, mated 1m/24h
IPX9K, mated
Housing: Thermoplastic, Black
Pin: Copper alloy, Gold plated
Nut: Thermoplastic, Black
Outer Mold: Thermoplastic, Black
- * C2
Waterproof rate: IPX8, mated 1m/24h
IPX9K, mated
Housing: Thermoplastic, Black
Pin: Copper alloy, Gold plated
Nut: Thermoplastic, Black
Outer Mold: Thermoplastic, Black
- * Cable: UL2517, PVC Jacket, Black
- * Cable Length Tolerance:

0.5M < L	≤ 1M	: +60/-0 mm
1M < L	≤ 3M	: +120/-0 mm
3M < L	≤ 5M	: +160/-0 mm
5M < L	≤ 10M	: ±100 mm
10M < L	≤ 20M	: ±200 mm
20M < L	≤ 30M	: ±300 mm
30M < L	≤ 99M	: ±500 mm

UNIT: mm		TITLE	ACC, SEN, A Code, DB-ENDED \triangle_C
TOLERANCE	$\pm 0.5mm$	SCALE	1:2
		SIZE	A4
		SHEET	1 OF 2
		REV.	C
		WC-REV.	
		\circledR	Inspection item

Amphenol LTW
安費諾亮泰企業股份有限公司

ITEM NO	DRAWN BY	DATE
	Vicky	2018-12-07
DWG NO	CHECKED BY	DATE
\triangle_B MSAPXXML-SAPMR-SDXXX	Rita	2018-12-07
CUSTOMER	APPROVED BY	DATE
ALTW	Max	2018-12-07

