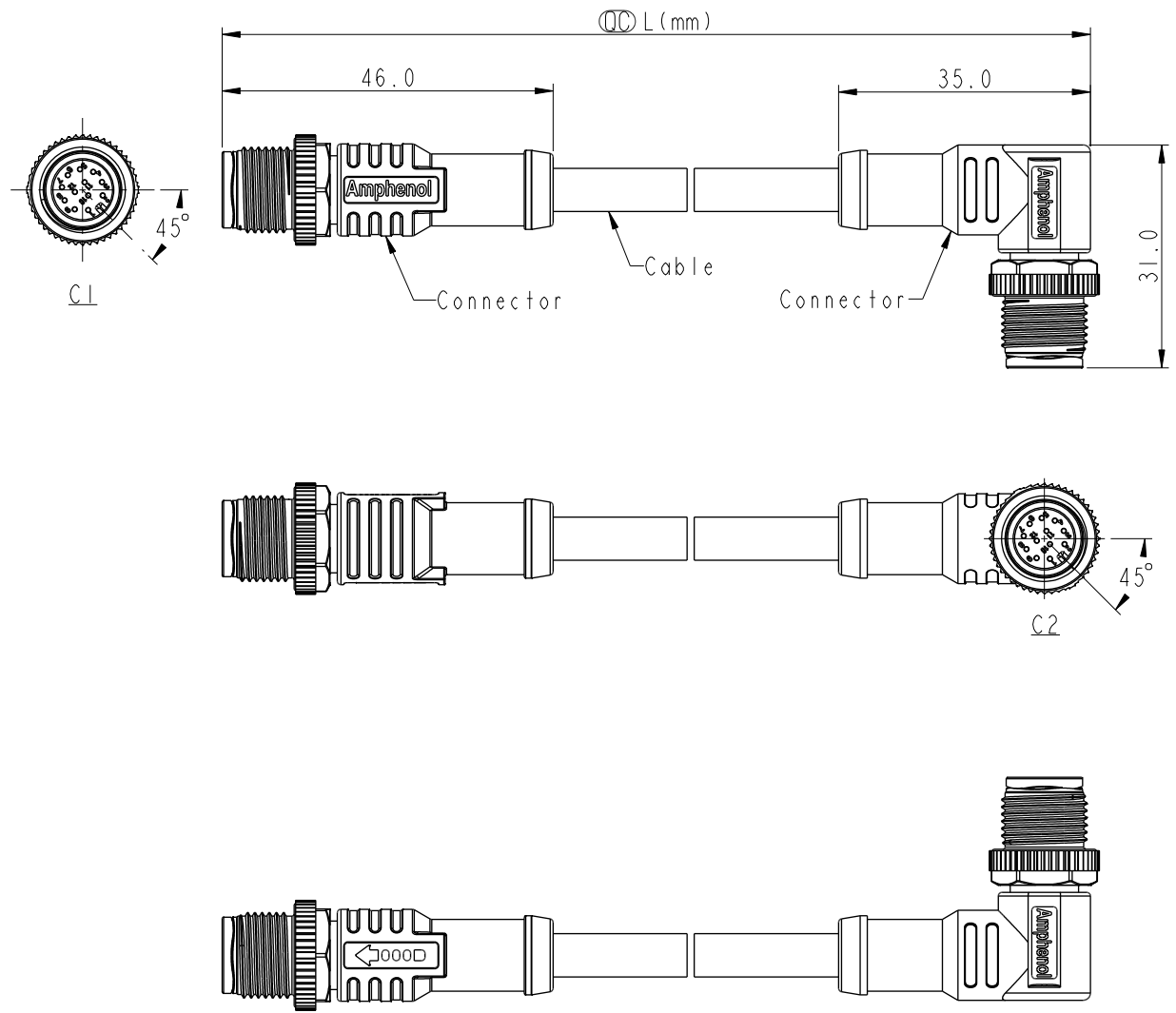


THIS DOCUMENT IS SUBJECT TO CHANGE WITHOUT NOTICE. IT IS CONFIDENTIAL AND A PROPERTY OF Amphenol LTW. DISCLOSURE TO THIRD PARTY HAS TO BE AUTHORIZED BY Amphenol LTW.

REV.	ECN NO.	DATE	SIGN	DESCRIPTION
B	C201759 & 60	2020/11/17	Vicky	\triangle_B X4
C	C210232	2021/04/06	Vicky	\triangle_C X4



\triangle_B \triangle_C

Note:

- * RoHS Compliant
- * \textcircled{CC} Important dimension
- * C1
Waterproof rate: IPX8, mated 1m/24h
IPX9K, mated
Housing: Thermoplastic, Black
Pin: Copper alloy, Gold plated
Nut: Thermoplastic, Black
Outer Mold: Thermoplastic, Black
- * C2
Waterproof rate: IPX8, mated 1m/24h
IPX9K, mated
Housing: Thermoplastic, Black
Pin: Copper alloy, Gold plated
Nut: Thermoplastic, Black
Outer Mold: Thermoplastic, Black
- * Cable: UL20549, PUR Jacket, Black
- * Cable Length Tolerance: 0.5M < L \leq 1M: +60/-0 mm
1M < L \leq 3M: +120/-0 mm
3M < L \leq 5M: +160/-0 mm
5M < L \leq 10M: \pm 100 mm
10M < L \leq 20M: \pm 200 mm
20M < L \leq 30M: \pm 300 mm
30M < L \leq 99M: \pm 500 mm

UNIT: mm			TITLE ACC, SEN, A Code, DB-ENDED \triangle_C
TOLERANCE ± 0.5 mm	SCALE 1:2	SIZE A4	SHEET 1 OF 2
	REV. C	WC-REV.	\textcircled{CC} : Inspection item

Amphenol LTW
安費諾亮泰企業股份有限公司

ITEM NO.	DRAWN BY Vicky	DATE 2018-12-07
DWG NO. \triangle_B MSAPXXML-SAPMR-SBXXX	CHECKED BY Rita	DATE 2018-12-07
CUSTOMER ALTW	APPROVED BY Max	DATE 2018-12-07

