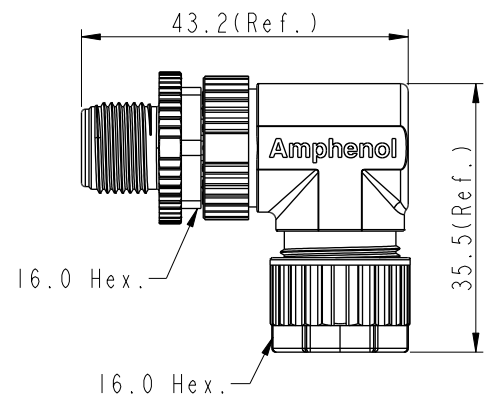
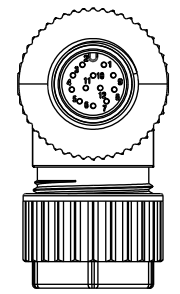
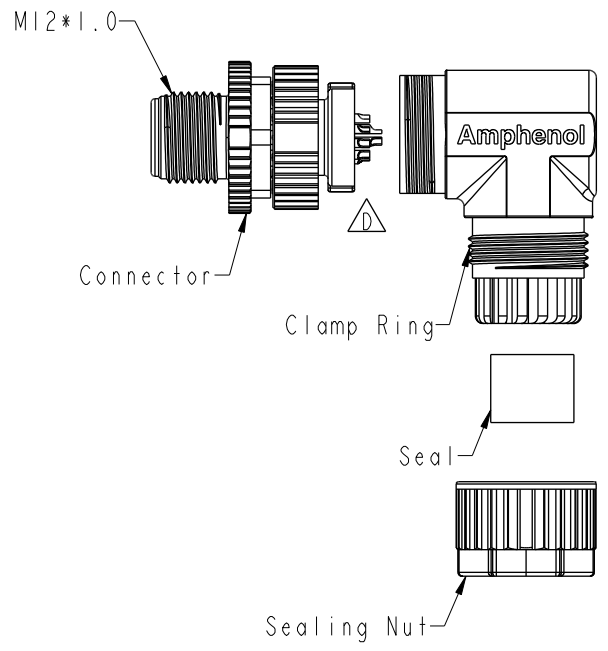


THIS DOCUMENT IS SUBJECT TO CHANGE WITHOUT NOTICE. IT IS CONFIDENTIAL AND A PROPERTY OF Amphenol LTW. DISCLOSURE TO THIRD PARTY HAS TO BE AUTHORIZED BY Amphenol LTW.

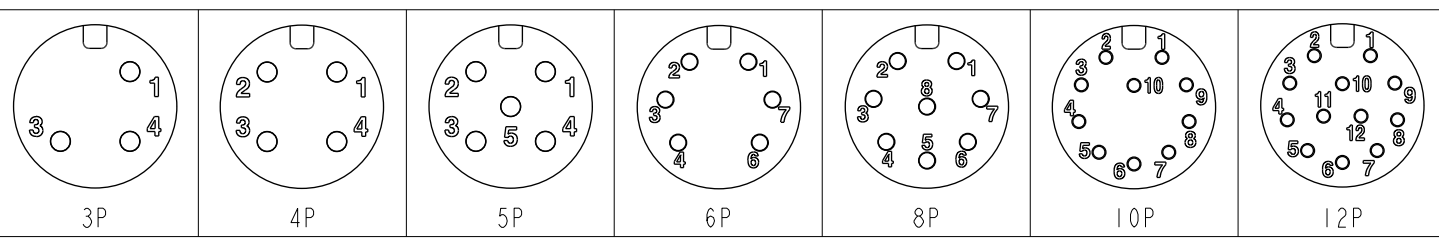
REV.	ECN NO.	DATE	SIGN	DESCRIPTION
C		2020/04/17	JC Chen	$\triangle C$ X2
D	C200793	2020/06/03	JC Chen	$\triangle D$ X1
E	C210561	2021/04/14	Vicky	$\triangle E$ X3



$\triangle C \triangle E$ MSAP-XXBMMMA-SR7001
 XX: No. Of Pin

$\triangle C \triangle E$

- Note:
- * RoHS Compliant
 - * Ⓞ Important Dimension
 - * Waterproof rate: IPX7, mated
 - * Connector
 - Housing: Thermoplastic, Black
 - Pin: Copper alloy, Gold plated
 - Extension Nut: Thermoplastic, Black
 - Nut: Thermoplastic, Black
 - O-Ring: Rubber, Gray
 - * Clamp Ring: Thermoplastic, Black
 - * Sealing Nut: Thermoplastic, Black
 - * Seal: Rubber, Gray, OD: $\varnothing 4.0\text{mm} \sim \varnothing 7.0\text{mm}$
 - * One set unassembled in one pe bag



Pin Assignments Front View

UNIT: mm	⌀	⌒
TOLERANCE		
.X	± 0.25	
.XX	± 0.1	
.XXX	± 0.05	
ANGLES	$\pm 1^\circ$	

TITLE N SEN, M12 A -PLASTIC, SCREW CABLE W/O SR, M, M, FI SOLDER		
SCALE 1:1	SIZE A4	SHEET 1 OF 2
REV. E	WC-REV. .0	Ⓞ : Inspection item

Amphenol LTW
 安費諾亮泰企業股份有限公司

ITEM NO.	DRAWN BY Mila	DATE 2015-09-16
DWG NO. MSAP-XXBMMMA-SR7001	CHECKED BY Cary	DATE 2015-09-16
CUSTOMER ALTW	APPROVED BY Jerry	DATE 2015-09-16