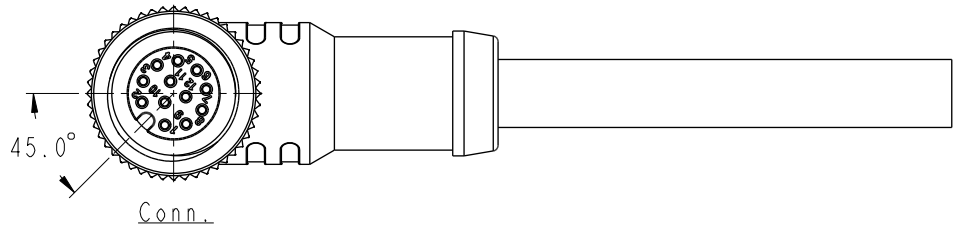
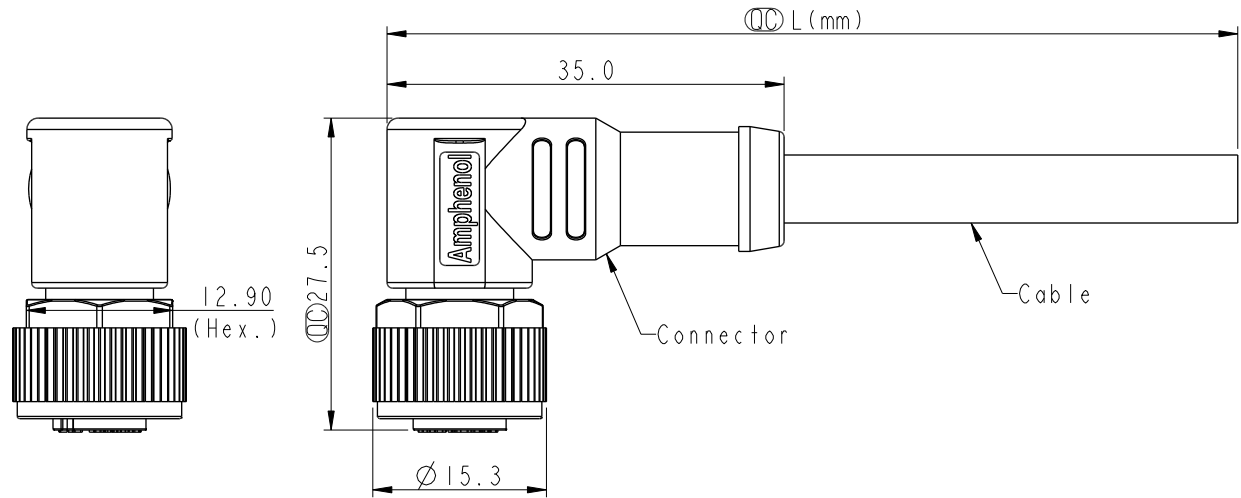


REV.	ECN NO.	DATE	SIGN	DESCRIPTION
D	LEN1750126~29	2017/04/06	Lingpeng	Change The Cable OD
E	C201451	2020/10/12	Ruru	$\triangle E$ X5
F	C210222	2021/03/19	Vicky	$\triangle F$ X4



- $\triangle E \triangle F$   
Note:  
\* RoHS Compliant  
\*  $\text{CC}$  Important dimension  
 $\triangle C$  \* Waterproof rate: IPX8, mated 1m/24h  
IPX9K, mated  
\* Connector  
Housing: Thermoplastic, Black  
Pin: Copper alloy, Gold plated  
O-Ring: Rubber, Green  
 $\triangle B$  \* Nut: Thermoplastic, Black  
Outer mold: Thermoplastic, Black  
\* Cable: UL20549, PUR Jacket, Black  
\* Cable length tolerance: 1M: +50/-0 mm  
3M < L  $\leq$  5M: +100/-0 mm  
5M < L  $\leq$  10M:  $\pm$ 100 mm  
10M < L  $\leq$  20M:  $\pm$ 200 mm  
20M < L  $\leq$  30M:  $\pm$ 300 mm  
30M < L  $\leq$  99M:  $\pm$ 500 mm

UNIT: mm  
TOLERANCE  
 $\pm 0.5$  mm

TITLE N SEN, M12 A -PLASTIC, SCREW CABLE W/O SR, F, F, MOLDING			$\triangle E$
SCALE 3:2	SIZE A4	SHEET 1 OF 2	
REV. F	WC-REV. A.3	$\text{CC}$ : Inspection item	

**Amphenol LTW**  
安費諾亮泰企業股份有限公司

ITEM NO	DRAWN BY Lingpeng	DATE 2017-04-06
DWG NO $\triangle E$ MSAP-XXBFFM-SR8BXX	CHECKED BY Ma Fei	DATE 2017-04-06
CUSTOMER ALTW	APPROVED BY Jerry	DATE 2017-04-06

THIS DOCUMENT IS SUBJECT TO CHANGE WITHOUT NOTICE. IT IS CONFIDENTIAL AND A PROPERTY OF Amphenol LTW. DISCLOSURE TO THIRD PARTY HAS TO BE AUTHORIZED BY Amphenol LTW.

THIS DOCUMENT IS SUBJECT TO CHANGE WITHOUT NOTICE. IT IS CONFIDENTIAL AND A PROPERTY OF Amphenol LTW. DISCLOSURE TO THIRD PARTY HAS TO BE AUTHORIZED BY Amphenol LTW.

F							12P	6.0	26	MSAP-12BFFM-SR8BXX
							10P			MSAP-10BFFM-SR8BXX
<p>MSAP-XXBFFM-SR8BXX</p> <p>XX: No. Of Pin</p> <p>XX: 01~99Meters          01: 01Meter          02: 02Meters          :          99: 99Meters</p>		△D	8P	4.8	24	MSAP-08BFFM-SR8BXX				
		△C	6P	5.0		MSAP-06BFFM-SR8BXX				
		△D	5P	4.4	22	MSAP-05BFFM-SR8BXX				
		△D	4P	4.0		MSAP-04BFFM-SR8BXX				
		△D	3P	3.8	MSAP-03BFFM-SR8BXX					
		△F	Contacts	Cable OD	AWG	Item No.				

C	Pin Out	5	--	5	--	5	Gray	灰	8	--	8	Red	紅	12	--	12	Red/Blue	紅/藍		
		4	Black	4	Black	4	Black	黑	7	Blue	藍	7	Blue	藍	11	--	11	Gray/Pink	灰/粉	
	3	Blue	3	Blue	3	Blue	藍	6	Pink	粉	6	Pink	粉	10	Violet	紫	10	Violet	紫	
	2	--	2	White	2	White	白	5	--	黃	5	Gray	灰	9	Black	黑	9	Black	黑	
	1	Brown	1	Brown	1	Brown	棕	4	Yellow	黃	4	Yellow	黃	8	Red	紅	8	Red	紅	
	Pin #	Wire	Pin #	Wire	Pin #	Wire	Pin #	Wire	Pin #	Wire	Pin #	Wire	Pin #	Wire	Pin #	Wire	Pin #	Wire	Pin #	Wire

Pin Assignments Front View

UNIT:mm			TITLE				ITEM NO	DRAWN BY	DATE		
TOLERANCE	±0.5mm		N SEN, M12 A -PLASTIC, SCREW CABLE W/O SR, F, F, MOLDING	△F	<h2 style="margin: 0;">Amphenol LTW</h2> <p style="margin: 0;">安費諾亮泰企業股份有限公司</p>			Lingpeng	2017-04-06		
		SCALE	3:2	SIZE	A4	SHEET	2	OF	2	DATE	2017-04-06
		REV.	F	WC-REV.	A.3	QC	Inspection item		Ma Fei	DATE	2017-04-06
								ALTW	Jerry	DATE	2017-04-06