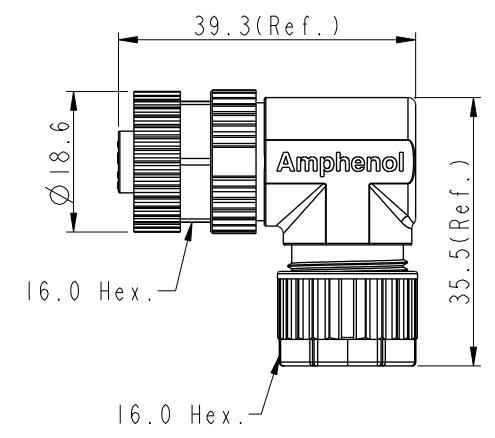
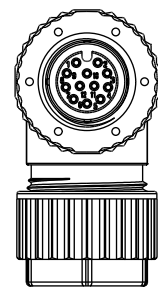
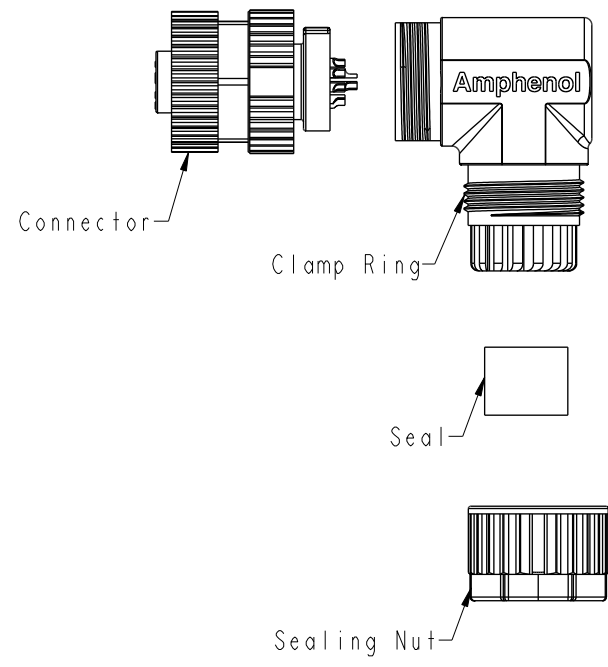


THIS DOCUMENT IS SUBJECT TO CHANGE WITHOUT NOTICE. IT IS CONFIDENTIAL AND A PROPERTY OF Amphenol LTW. DISCLOSURE TO THIRD PARTY HAS TO BE AUTHORIZED BY Amphenol LTW.

| REV. | ECN NO. | DATE | SIGN | DESCRIPTION |
|------|------------|------------|-------------|------------------|
| B | LEN1670559 | 2016/07/22 | Yulong_wang | Change the Note |
| C | | 2020/04/17 | JC Chen | $\triangle C$ X2 |
| D | C210561 | 2021/04/14 | Vicky | $\triangle D$ X3 |

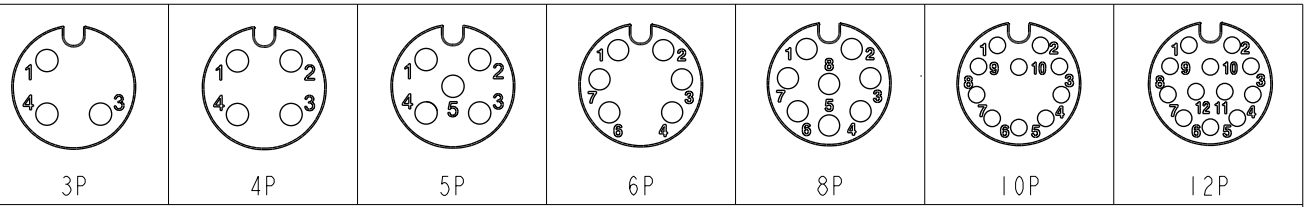


$\triangle C \triangle D$
MSAP-XXBFFA-SR7001

XX: No. Of Pin

$\triangle C \triangle D$
Note:

- * RoHS Compliant
- * ⌀ Important Dimension
- * Waterproof rate: IPX7, mated
- * Connector
- Housing: Thermoplastic, Black
- Pin: Copper alloy, Gold plated
- Extension Nut: Thermoplastic, Black
- Nut: Thermoplastic, Black
- O-Ring: Rubber, Gray
- * Clamp Ring: Thermoplastic, Black
- * Sealing Nut: Thermoplastic, Black
- $\triangle B$ * Seal: Rubber, Gray, OD: $\text{⌀}4.0\text{mm} \sim \text{⌀}7.0\text{mm}$
- * One set unassembled in one pe bag



Pin Assignments Front View

| | | |
|-----------|---------------|--|
| UNIT: mm | | |
| TOLERANCE | | |
| .X | ± 0.25 | |
| .XX | ± 0.1 | |
| .XXX | ± 0.05 | |
| ANGLES | $\pm 1^\circ$ | |

| | | | |
|--|---------|------------------------------|----|
| TITLE N SEN, M12 A -PLASTIC, SCREW $\triangle D$ CABLE W/O SR, F, F, FI SOLDER | | | |
| SCALE | SIZE | SHEET | OF |
| 1:1 | A4 | 1 | 1 |
| REV. | WC-REV. | ⌀ : Inspection item | |
| D | .0 | | |

Amphenol LTW
安費諾亮泰企業股份有限公司

| | | |
|--------------------|-------------|------------|
| ITEM NO. | DRAWN BY | DATE |
| | Yulong_wang | 2016-07-22 |
| DWG NO. | CHECKED BY | DATE |
| MSAP-XXBFFA-SR7001 | Jinhai | 2016-07-22 |
| CUSTOMER | APPROVED BY | DATE |
| ALTW | Jerry | 2016-07-22 |