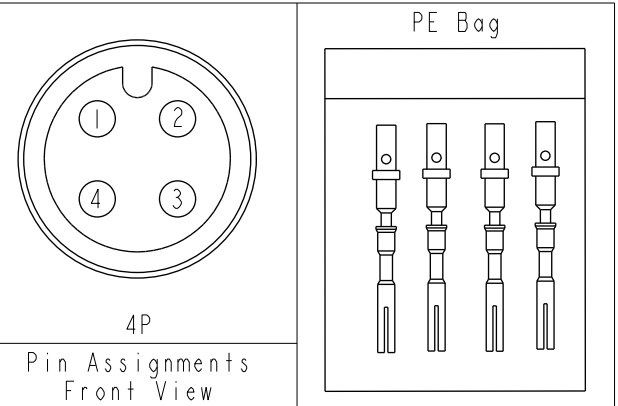
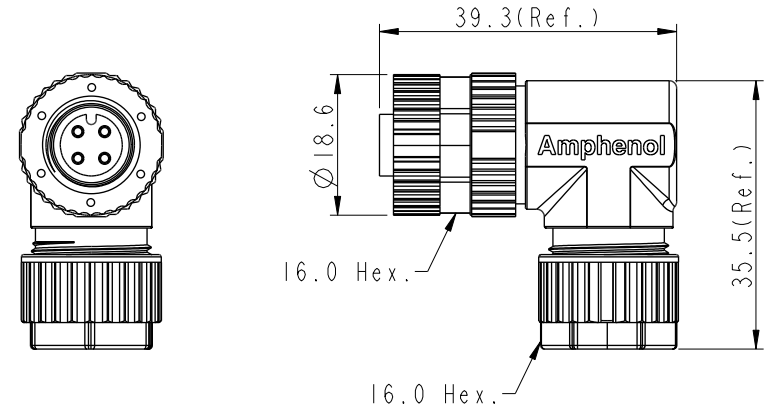
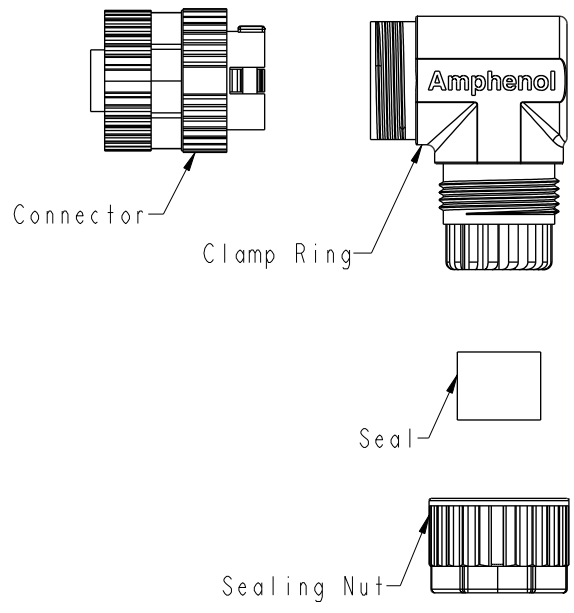


THIS DOCUMENT IS SUBJECT TO CHANGE WITHOUT NOTICE. IT IS CONFIDENTIAL AND A PROPERTY OF Amphenol LTW. DISCLOSURE TO THIRD PARTY HAS TO BE AUTHORIZED BY Amphenol LTW.

REV.	ECN NO.	DATE	SIGN	DESCRIPTION
C	C201450	2020/09/23	Ruru	$\triangle C$ X4
D	C210561	2021/04/14	Vicky	$\triangle D$ X3
E	C210977	2021/06/23	Vicky	$\triangle E$ X1



$\triangle C$   
MSAP-XXBFFC-SR7001  
XX: No. Of Pin

- $\triangle D$   
Note:
- \* RoHS Compliant
  - \*  $\text{\textcircled{C}}$  Important Dimension
  - \* Waterproof rate: IPX7, mated
  - \* Connector
  - Housing: Thermoplastic, Black
  - Pin: Copper alloy, Gold plated
  - Extension Nut: Thermoplastic, Black
  - Nut: Thermoplastic, Black
  - $\triangle C$  O-Ring: Rubber, Gray
  - \* Clamp Ring: Thermoplastic, Black
  - \* Sealing Nut: Thermoplastic, Black
  - $\triangle B$   $\triangle C$  \* Seal: Rubber, Gray, OD:  $\varnothing 4.0\text{mm} \sim \varnothing 7.0\text{mm}$
  - $\triangle E$  \* Applicable wire gauge: 20AWG~24AWG
  - \* One set unassembled in one pe bag

UNIT:mm	$\text{\textcircled{C}}$	$\text{\textcircled{C}}$	TITLE N SEN, M12 A -PLASTIC, SCREW $\triangle D$ CABLE W/O SR, F, F, FI/PANEL CRIMP
TOLERANCE .X $\pm 0.25$ .XX $\pm 0.1$ .XXX $\pm 0.05$ ANGLES $\pm 1^\circ$	$\triangle D$	SCALE Free	SIZE A4
		REV. E	WC-REV. .0
		SHEET 1	OF 1
		$\text{\textcircled{C}}$ : Inspection item	

**Amphenol LTW**  
安費諾亮泰企業股份有限公司

ITEM NO	DRAWN BY Xiaofeng	DATE 2019/12/18
DWG NO $\triangle C$ MSAP-XXBFFC-SR7001	CHECKED BY Li-Feng	DATE 2019/12/18
CUSTOMER ALTW	APPROVED BY Jerry	DATE 2019/12/18