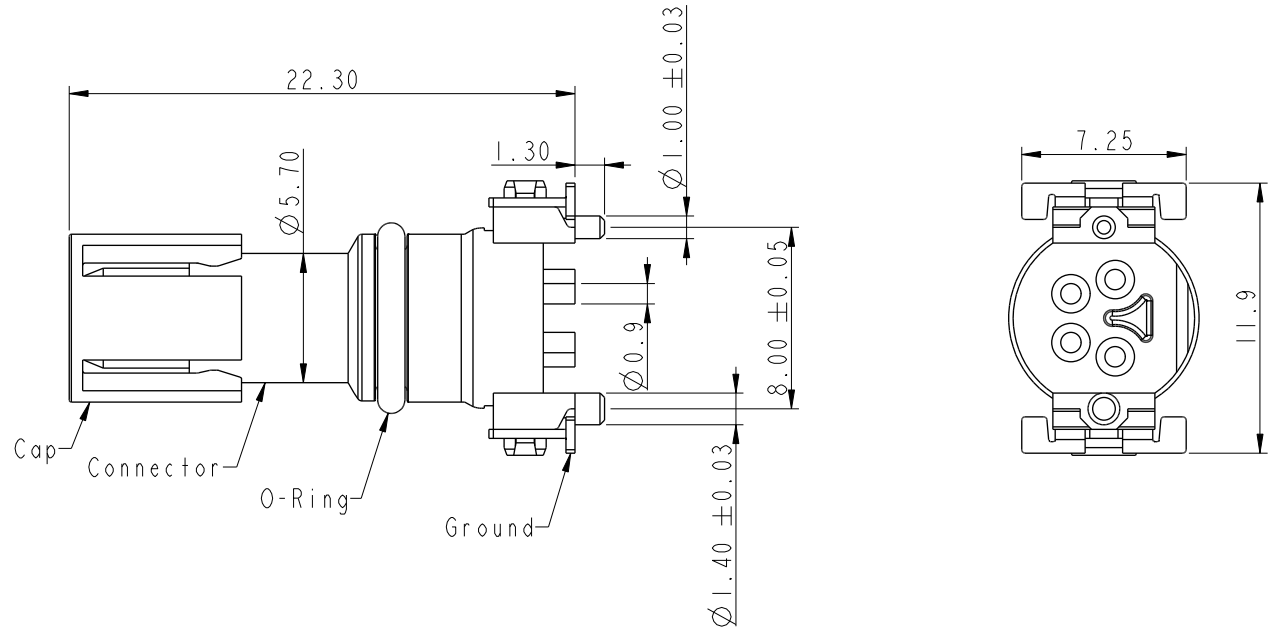


REV.	ECN NO.	DATE	SIGN	DESCRIPTION
A	Initial Release	2020/06/08	Feng_Li	Change Rev.01 To Rev.A
B	C201549	2020/10/21	Vicky	$\triangle B$ X5
C	C210686	2021/05/18	Vicky	$\triangle C$ X5



- $\triangle C$ Note:
- * RoHS Compliant
 - * CC Important dimension
 - * Waterproof rate: Non-Waterproof
 - * Connector
 - Housing: Thermoplastic, Black
 - Pin: Copper alloy, Gold plated
 - O-Ring: Rubber, Gray
 - * Spring: Metal
 - * Ground: Metal

UNIT: mm	CC	CC
TOLERANCE		
.X	±0.25	
.XX	±0.1	
.XXX	±0.05	
ANGLES	±1°	

TITLE N SEN, M8, NONE RECEPTACLE, M, M, PCB SMT			$\triangle C$
SCALE 3:1	SIZE A4	SHEET 1 OF 4	
REV. C	WC-REV. A.1	CC : Inspection item	

Amphenol LTW
安費諾亮泰企業股份有限公司

ITEM NO.	DRAWN BY Feng_Li	DATE 2020-06-08
DWG NO. $\triangle B$ M8-XXPMMT-EE0001	CHECKED BY Jerry	DATE 2020-06-08
CUSTOMER ALTW	APPROVED BY Max	DATE 2020-06-08

THIS DOCUMENT IS SUBJECT TO CHANGE WITHOUT NOTICE. IT IS CONFIDENTIAL AND A PROPERTY OF AMPHENOL LTW. DISCLOSURE TO THIRD PARTY HAS TO BE AUTHORIZED BY AMPHENOL LTW.

THIS DOCUMENT IS SUBJECT TO CHANGE WITHOUT NOTICE. IT IS CONFIDENTIAL AND A PROPERTY OF Amphenol LTW. DISCLOSURE TO THIRD PARTY HAS TO BE AUTHORIZED BY Amphenol LTW.

1 2 3 4 5 6 7 8

F

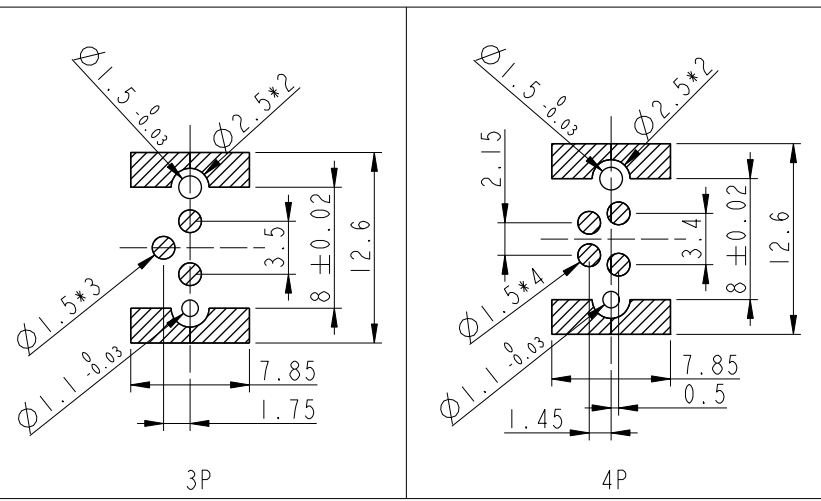
$\triangle B$ M8-XXPMMT-EE0001

XX: No. Of Pin

E

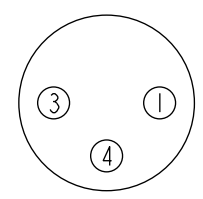
D

C

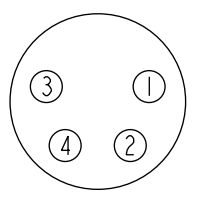


PCB Layout

B



3P



4P

Pin Assignments Front View

A

UNIT: mm		
TOLERANCE	.X	±0.25
	.XX	±0.1
	.XXX	±0.05
ANGLES		±1°

TITLE N SEN, M8, NONE RECEPTACLE, M, M, PCB SMT			$\triangle C$
SCALE	SIZE	SHEET	OF
3:1	A4	2	4
REV.	WC-REV.	QC: Inspection item	
C	A.1		

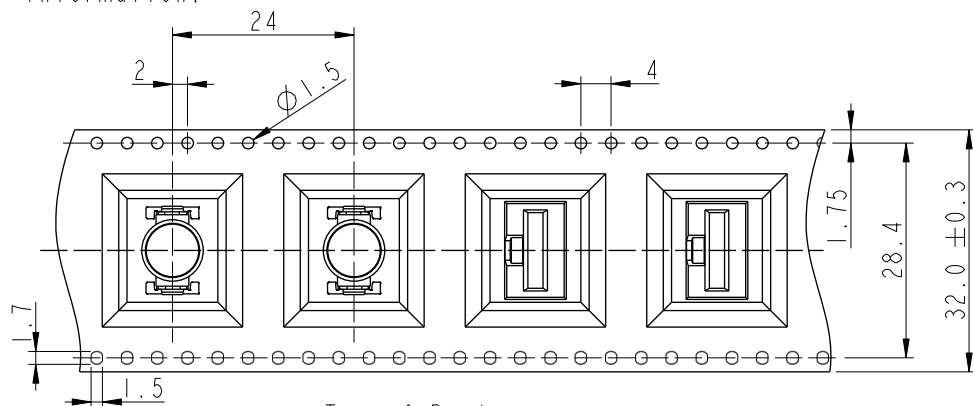
Amphenol LTW
安費諾亮泰企業股份有限公司

ITEM NO	DRAWN BY	DATE
	Feng_Li	2020-06-08
DWG NO	CHECKED BY	DATE
$\triangle B$ M8-XXPMMT-EE0001	Jerry	2020-06-08
CUSTOMER	APPROVED BY	DATE
ALTW	Max	2020-06-08

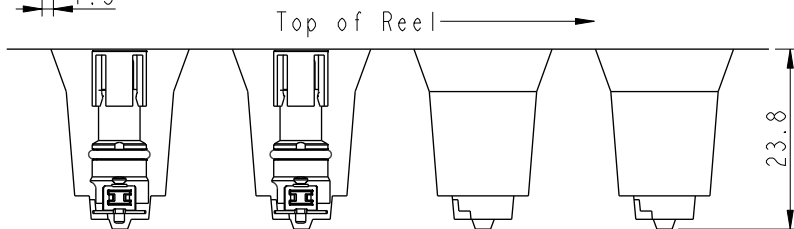
1 2 3 4 5 6 7 8 W10814-03-001A2

THIS DOCUMENT IS SUBJECT TO CHANGE WITHOUT NOTICE. IT IS CONFIDENTIAL AND A PROPERTY OF Amphenol LTW. DISCLOSURE TO THIRD PARTY HAS TO BE AUTHORIZED BY Amphenol LTW.

Tape & Reel Information:

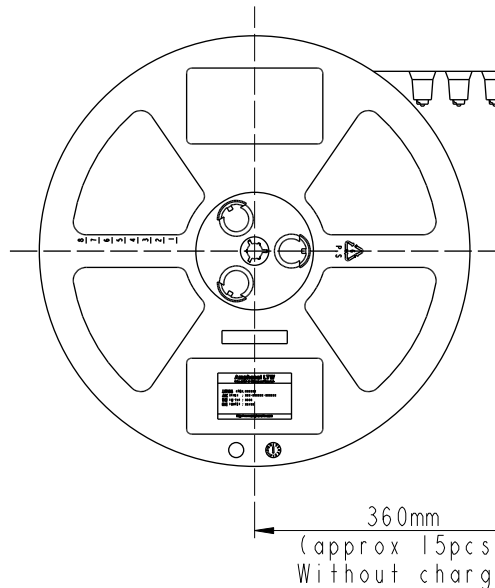
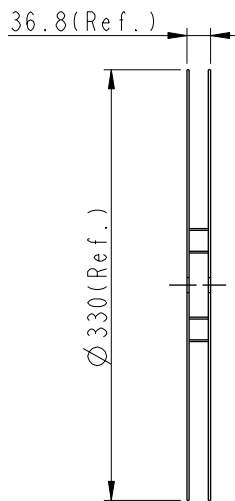


Note:
* Connector Orientation Follow Drawing



Wide Cover Tape Around
Out Periphery 1 Turn

Peeling Strength 0.1~1.3N Max.
(300±10mm/min)
Peeling Angle
165~180°

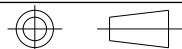


Top of Reel →

100 PCS/Reel
With Product Charge

360mm
(approx 15pcs)
Without Charge

UNIT: mm



TOLERANCE
.X ±0.25
.XX ±0.1
.XXX ±0.05
ANGLES ±1°

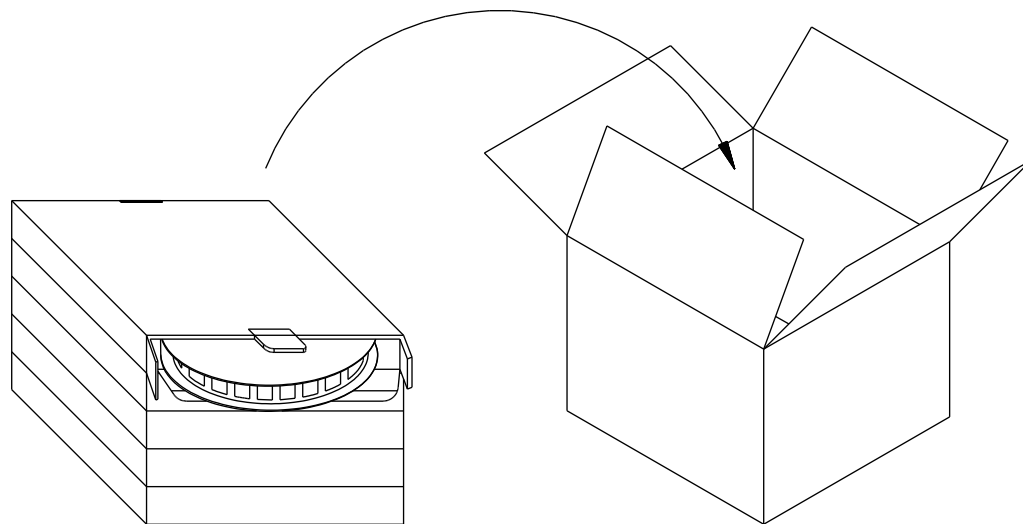
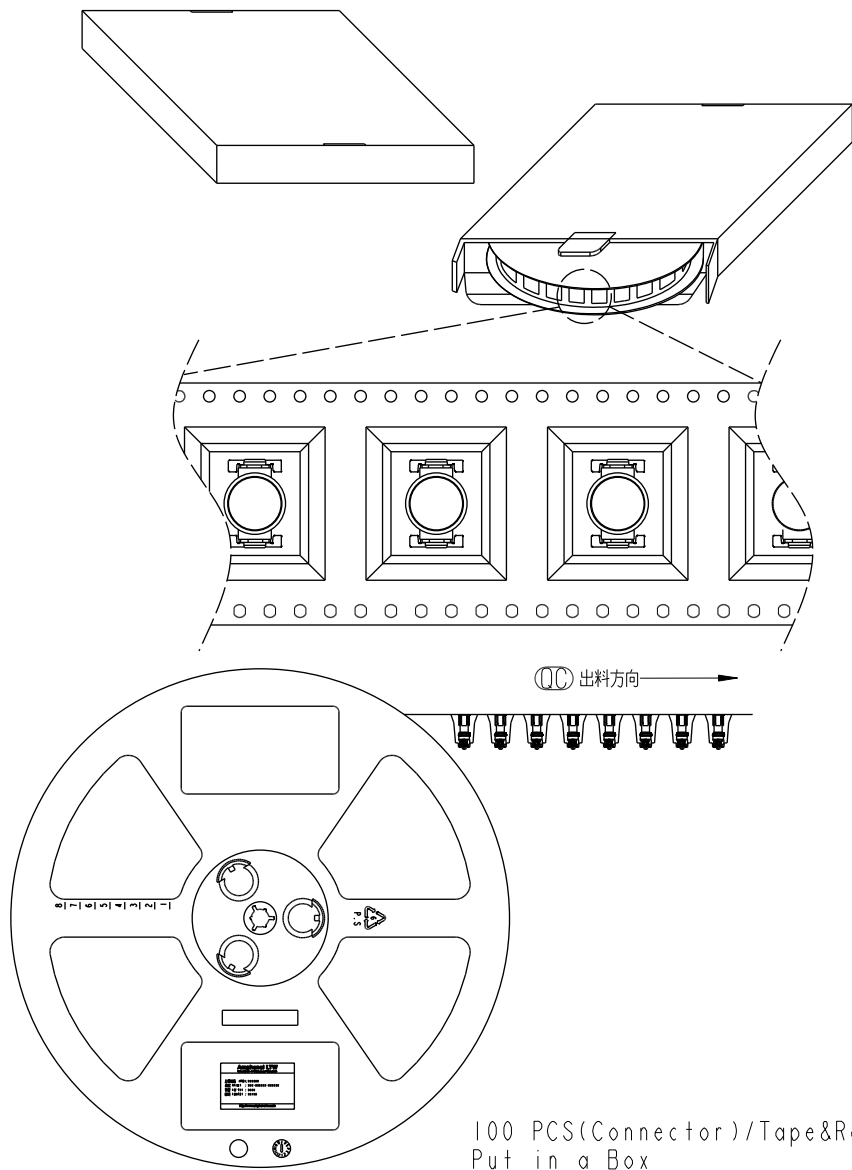
TITLE N SEN, M8, NONE RECEPTACLE, M, M, PCB SMT			Inspection item
SCALE Free	SIZE A4	SHEET 3 OF 4	
REV. C	WC-REV. A.1		

Amphenol LTW
安費諾亮泰企業股份有限公司

ITEM NO	DRAWN BY Feng_Li	DATE 2020-06-08
DWG NO M8-XXPMMT-EE0001	CHECKED BY Jerry	DATE 2020-06-08
CUSTOMER ALTW	APPROVED BY Max	DATE 2020-06-08

THIS DOCUMENT IS SUBJECT TO CHANGE WITHOUT NOTICE. IT IS CONFIDENTIAL AND A PROPERTY OF Amphenol LTW. DISCLOSURE TO THIRD PARTY HAS TO BE AUTHORIZED BY Amphenol LTW.

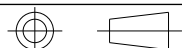
Package:



One Carton can put in the 5PCS(Max.) Box
(500 PCS/Carton)

100 PCS(Connector)/Tape&Reel,
Put in a Box

UNIT:mm



TOLERANCE
.X ±0.25
.XX ±0.1
.XXX ±0.05
ANGLES ±1°

TITLE N SEN, M8, NONE RECEPTACLE, M, M, PCB SMT			
SCALE Free	SIZE A4	SHEET 4 OF 4	
REV. C	WC-REV. A.1	QC: Inspection item	

Amphenol LTW
安費諾亮泰企業股份有限公司

ITEM NO	DRAWN BY Feng_Li	DATE 2020-06-08
DWG NO M8-XXPMMT-EE0001	CHECKED BY Jerry	DATE 2020-06-08
CUSTOMER ALTW	APPROVED BY Max	DATE 2020-06-08