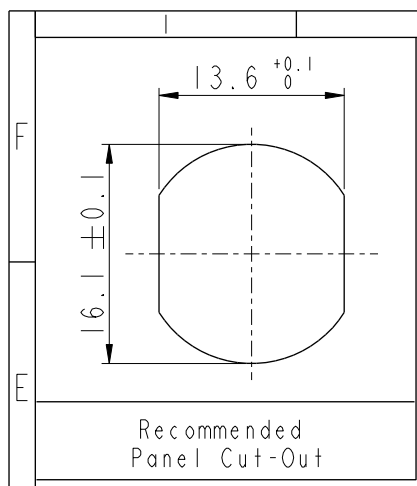
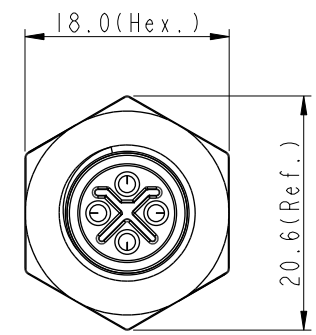
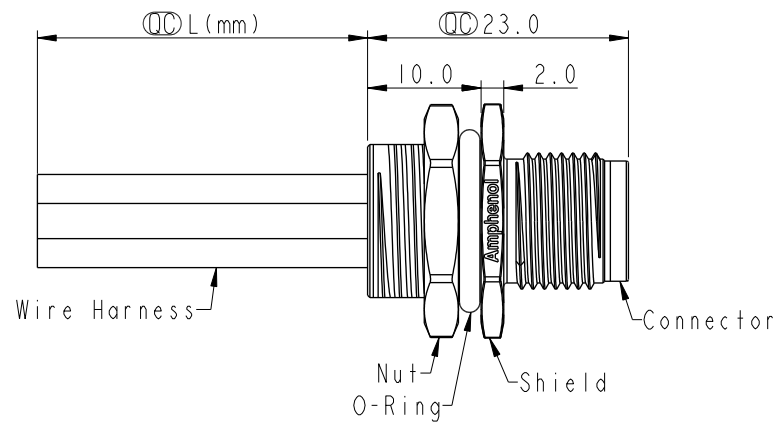
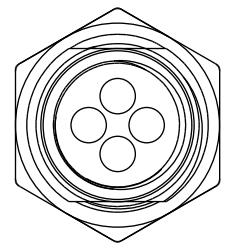


THIS DOCUMENT IS SUBJECT TO CHANGE WITHOUT NOTICE. IT IS CONFIDENTIAL AND A PROPERTY OF Amphenol LTW. DISCLOSURE TO THIRD PARTY HAS TO BE AUTHORIZED BY Amphenol LTW.

REV.	ECN NO.	DATE	SIGN	DESCRIPTION
C	C191643	2019/09/19	Vicky	Update Wire Tolerance
D	C201453	2020/10/15	Ruru	$\triangle D$ X4
E	C210593	2021/04/19	Ruru	$\triangle E$ X2

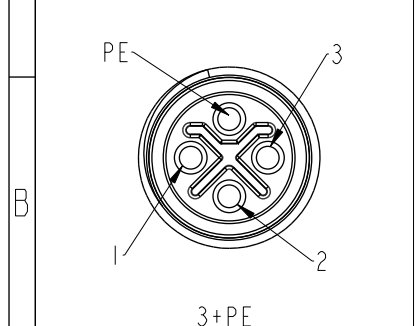


Recommended Panel Cut-Out



PE	Black	黑
3	Blue	藍
2	White	白
1	Brown	棕

Pin #	Wire	Pin Out
3	Blue	
2	White	
1	Brown	



Pin Assignments Front View

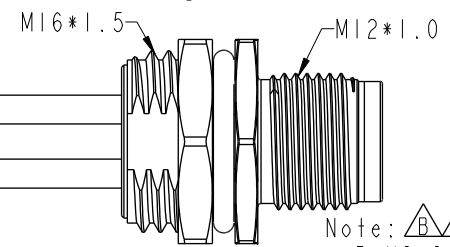
UNIT:mm		
TOLERANCE	.X ± 0.25	
	.XX ± 0.1	
	.XXX ± 0.05	
ANGLES	$\pm 1^\circ$	

$\triangle C \triangle D \triangle E$

M12S-XXPMMS-SH8CXX

XX:No. Of Pin

- 10: 100mm
- 15: 150mm
- 20: 200mm
- 95: 950mm
- Cable Pitch Unit: 50mm
- A0: 1000mm
- A5: 1500mm
- Cable Pitch Unit: 100mm
- Wire Length(L): 150~1500mm



- Note: $\triangle B \triangle D \triangle E$
- * RoHS Compliant
 - * \varnothing Important dimension
 - * Waterproof rate: IPX8, unmated 1m/24h
 - * Connector Housing: Thermoplastic, Black
 - Pin: Copper alloy, Gold plated
 - * Shield: Metal
 - * Nut: Metal
 - * O-Ring: Rubber, Black
 - * Wire harness: UL1015, 16AWG
 - * For panel thickness max: 4.5mm
 - * O-Ring and nut are assembled on connectors
 - * Wire harness tolerance: 100mm: ± 10 mm
 - 100mm < L \leq 300mm: ± 15 mm
 - 300mm < L \leq 1000mm: ± 20 mm
 - 1000mm < L \leq 1500mm: ± 50 mm

TITLE N SEN, M12 S, SCREW RECEPTACLE, M, M, SOLDER $\triangle D$			
SCALE 1:1	SIZE A4	SHEET 1 OF 1	
REV. E	WC-REV. A.2	\varnothing : Inspection item	

Amphenol LTW
安費諾亮泰企業股份有限公司

ITEM NO	DRAWN BY Vicky	DATE 2019-09-19
DWG NO $\triangle D$ M12S-XXPMMS-SH8CXX	CHECKED BY Rita	DATE 2019-09-19
CUSTOMER ALTW	APPROVED BY Max	DATE 2019-09-19