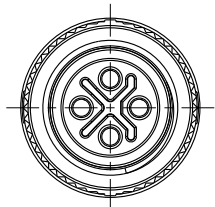
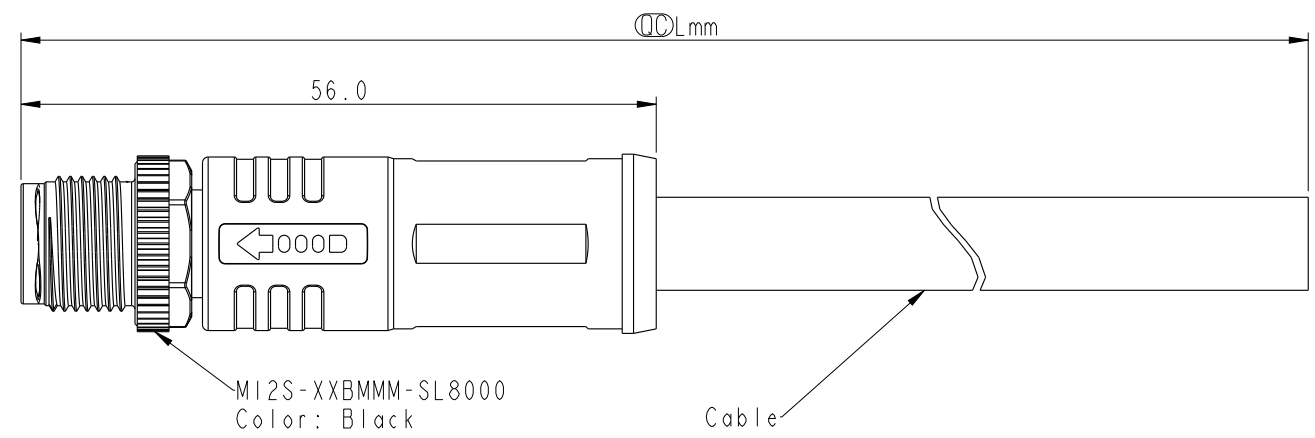


THIS DOCUMENT IS SUBJECT TO CHANGE WITHOUT NOTICE. IT IS CONFIDENTIAL AND A PROPERTY OF Amphenol LTW. DISCLOSURE TO THIRD PARTY HAS TO BE AUTHORIZED BY Amphenol LTW.

REV.	ECN NO.	DATE	SIGN	DESCRIPTION
A		2021/03/03	Carl Dong	Rev.01 to Rev.A

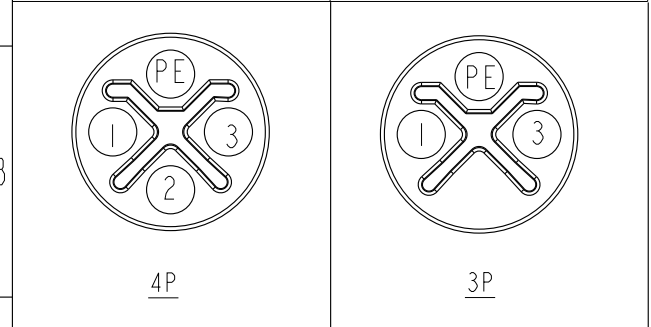


CI



M12S-XXBMMM-SL8000
Color: Black

Pin#	Wire	Pin#	Wire
3	Blue	2	--
2	White	1	Brown
1	Brown		



Pin Assignments Front View

M12S-XXBMMM-SL8SXX
XX: 01~99Meters
01: 01Meter
:
99: 99Meters
XX: Number of Pin

Note:
 * RoHS Compliant
 * \varnothing Important Dimension to Check
 * Waterproof Rate: IPX8, Mated 1m/24h
 * Connector:
 Housing: Thermoplastic, Black
 Pin: Copper Alloy, Gold Plated
 Nut: Metal
 Outer Mold: Thermoplastic, Black
 * Cable: UL20234, 16AWG, PU Jacket, Black
 * Cable Length Tolerance: 01M: +50/-0mm
 1M < L ≤ 3M: +100/-0 mm
 3M < L ≤ 5M: +150/-0 mm
 5M < L ≤ 10M: ±100 mm
 10M < L ≤ 20M: ±200 mm
 20M < L ≤ 30M: ±300 mm
 30M < L ≤ 99M: ±500 mm

UNIT:mm		TITLE
TOLERANCE	±0.5mm	M12 S-CODE, STRAIGHT, MALE CONN +CABLE
SCALE	3:2	SIZE
REV.	A	WC-REV.
		WC-REV.
		QC: Inspection item

Amphenol LTW
安費諾亮泰企業股份有限公司

ITEM NO	M12S-XXBMMM-SL8SXX	DRAWN BY	Carl Dong	DATE	2021/03/03
DWG NO	M12S-XXBMMM-SL8SXX	CHECKED BY	Fisher Wang	DATE	2021/03/03
CUSTOMER	ALTW	APPROVED BY	Max Yang	DATE	2021/03/03