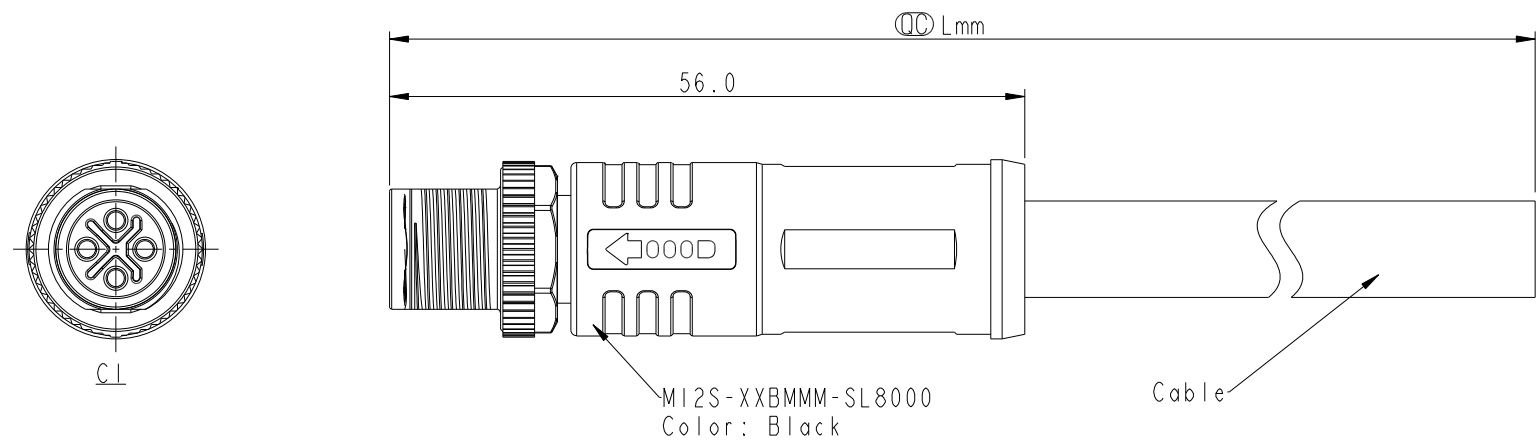
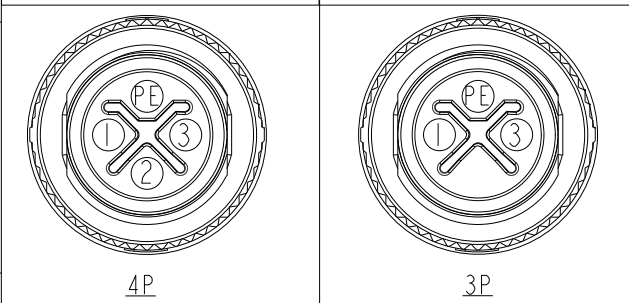


THIS DOCUMENT IS SUBJECT TO CHANGE WITHOUT NOTICE. IT IS CONFIDENTIAL AND A PROPERTY OF AMPHENOL LTW. DISCLOSURE TO THIRD PARTY HAS TO BE AUTHORIZED BY AMPHENOL LTW.

REV.	ECN NO.	DATE	SIGN	DESCRIPTION
A	initial release	2021/10/08	Li Dai	Rev.01 to Rev.A
B	C211619	2021/12/16	Li Dai	$\triangle B$ XI



PE Yellow/Green	黄/绿	PE Yellow/Green	黄/绿
3 Blue	蓝	3 Blue	蓝
2 White	白	2 --	
1 Brown	棕	1 Brown	棕
Pin#	Wire	Pin#	Wire



Pin Assignments Front View

MI2S-XXBMMM-SL8GXX
 XX: 01~99Meters
 01: 01Meter
 :
 99: 99Meters
 XX: Number of Pin

- Note:
- * RoHS Compliant
 - * Lmm Important Dimension to Check
 - * Waterproof Rate: IPX8, Mated 1m/24h
 - * Connector:
 Housing: Thermoplastic, Black
 Pin: Copper Alloy, Gold Plated
 Nut: Metal
 Outer Mold: Thermoplastic, Black
 - * Cable UL2586, PVC Jacket, Black.
 - * Cable Length Tolerance: 01M: +50/-0mm

1M < L ≤ 3M:	+100/-0 mm
3M < L ≤ 5M:	+150/-0 mm
5M < L ≤ 10M:	±100 mm
10M < L ≤ 20M:	±200 mm
20M < L ≤ 30M:	±300 mm
30M < L ≤ 99M:	±500 mm

UNIT:mm	Lmm	TITLE	MI2 S-CODE, STRAIGHT, MALE CONN +CABLE Metal nut	
TOLERANCE	±0.5mm	SCALE	3:2	SIZE A4
		REV.	B	WC-REV. .0
				Lmm : Inspection item

Amphenol LTW
 安費諾亮泰企業股份有限公司

ITEM NO	DRAWN BY	DATE
	Li Dai	2021/10/08
DWG NO	CHECKED BY	DATE
MI2S-XXBMMM-SL8GXX	Fisher Wang	2021/10/08
CUSTOMER	APPROVED BY	DATE
ALTW	Max Yang	2021/10/08