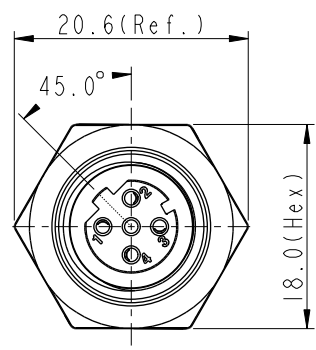
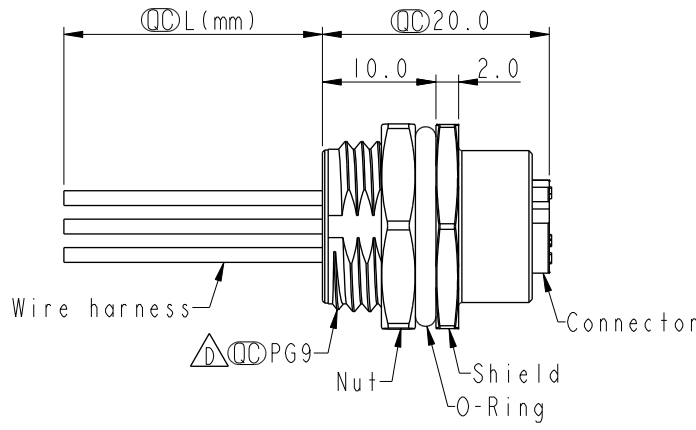
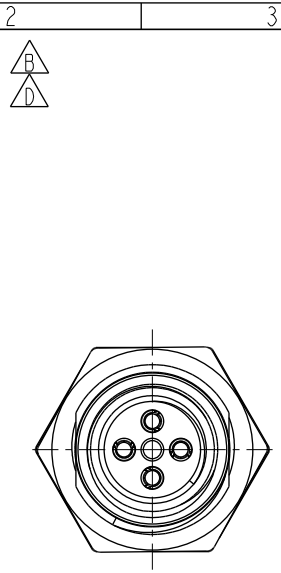
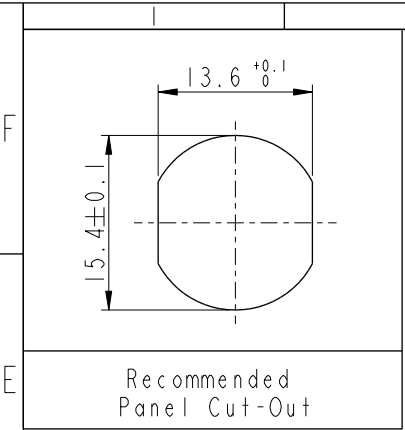
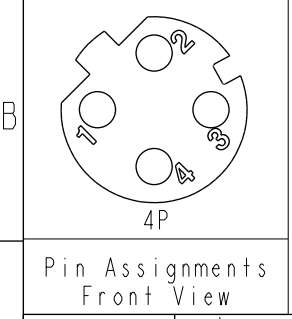


THIS DOCUMENT IS SUBJECT TO CHANGE WITHOUT NOTICE. IT IS CONFIDENTIAL AND A PROPERTY OF Amphenol LTW. DISCLOSURE TO THIRD PARTY HAS TO BE AUTHORIZED BY Amphenol LTW.

REV.	ECN NO.	DATE	SIGN	DESCRIPTION
C	C191643	2019/09/18	Vicky	Update Wire Tolerance
D	C201469	2020/09/28	Ruru	$\triangle D$ X5
E	C210593	2021/04/16	Ruru	$\triangle E$ X3

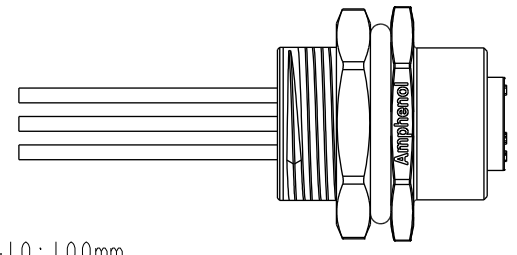


4	Black	黑
3	Blue	藍
2	White	白
1	Brown	棕
Pin #	Wire	
Pin Out		



TOLERANCE	
.X	±0.25
.XX	±0.1
.XXX	±0.05
ANGLES	±1°

$\triangle C$ $\triangle D$ $\triangle E$
 M12D-XXPFFC-SH8BXX
 XX: No. Of Pin



10: 100mm
 15: 150mm
 20: 200mm
 }
 95: 950mm
 Cable Pitch Unit: 50mm

 A0: 1000mm
 }
 A5: 1500mm
 Cable Pitch Unit: 100mm
 Wire Length(L): 150~1500mm

Note: $\triangle C$ $\triangle D$ $\triangle E$

- * RoHS Compliant
- * ⌀ Important dimension
- * Waterproof rate: IPX8, unmated 1m/24h
- * Connector
 - Housing: Thermoplastic, Black
 - Pin: Copper alloy, Gold plated
 - O-Ring: Rubber, Green
- * Shield: Metal
- * Nut: Metal
- * O-Ring: Rubber, Black
- * Wire harness: UL1061, 22AWG
- * For panel thickness max: 4.5mm
- * O-Ring and nut are assembled on connectors
- * Wire harness tolerance:
 - 100mm: ±10mm
 - 100mm < L ≤ 300mm: ±15mm
 - 300mm < L ≤ 1000mm: ±20mm
 - 1000mm < L ≤ 1500mm: ±50mm

TITLE			
N SEN, M12 D, SCREW RECEPTACLE, F, F, FI/PANEL CRIMP $\triangle E$			
SCALE	SIZE	SHEET	OF
2:1	A4	1	1
REV.	WC-REV.	⌀ : Inspection item	
E	A.5		

Amphenol LTW
 安費諾亮泰企業股份有限公司

ITEM NO	DRAWN BY	DATE
	Vicky	2019-09-18
DWG NO	CHECKED BY	DATE
\triangle M12D-XXPFFC-SH8BXX	Rita	2019-09-18
CUSTOMER	APPROVED BY	DATE
ALTW	Max	2019-09-18