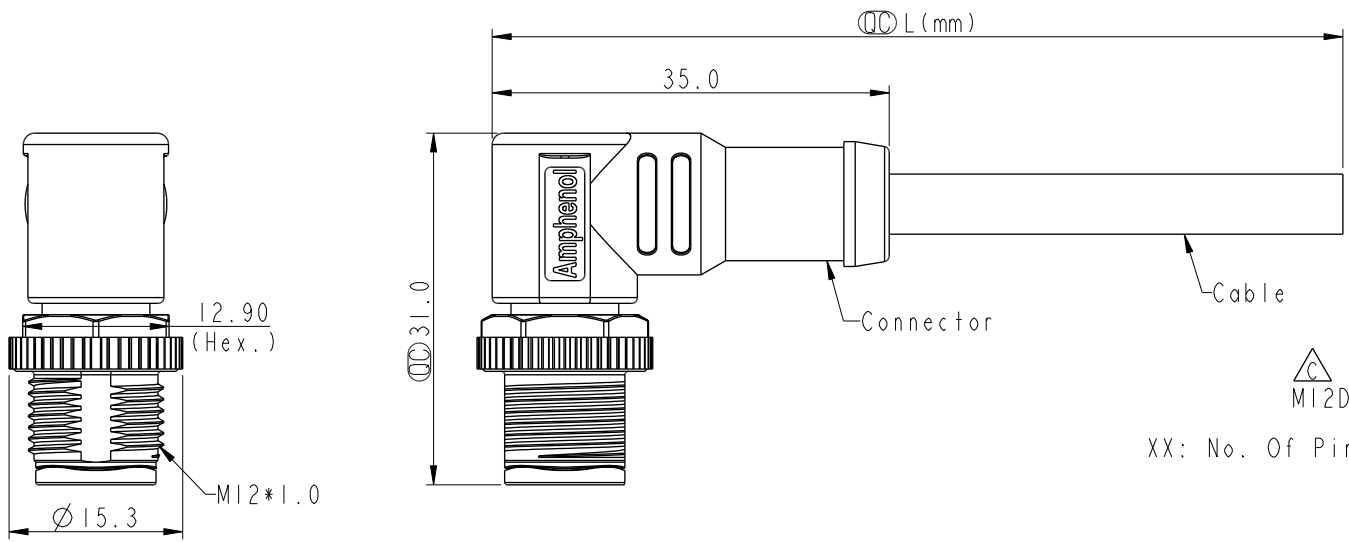


THIS DOCUMENT IS SUBJECT TO CHANGE WITHOUT NOTICE. IT IS CONFIDENTIAL AND A PROPERTY OF Amphenol LTW. DISCLOSURE TO THIRD PARTY HAS TO BE AUTHORIZED BY Amphenol LTW.

REV.	ECN NO.	DATE	SIGN	DESCRIPTION
C	C201542	2020/10/07	Vicky	△C X4
D	C210025	2021/01/19	Vicky	△D X1
E	C210542	2021/04/08	Ruru	△E X2



△C  
M12D-XXBMMM-SR8EXX

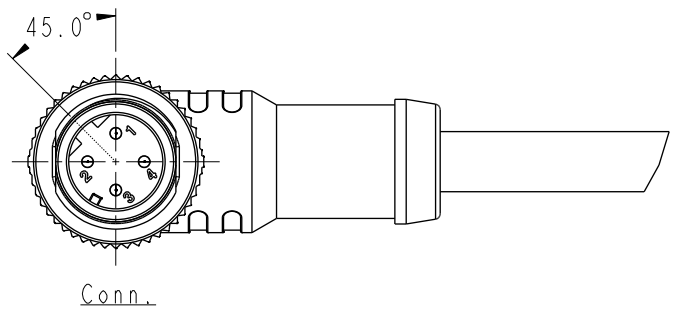
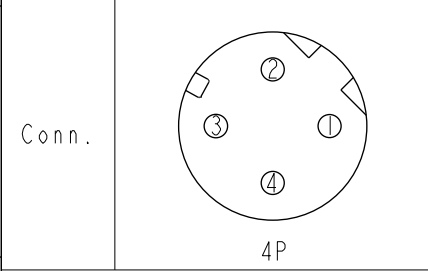
XX: No. Of Pin

- XX:01~99Meters
- 01:01Meter
- 02:02Meters
- ⋮
- 99:99Meters

Note: △B △C △D △E

- \* RoHS Compliant
- \* △C Important dimension
- \* Waterproof rate: IPX8, mated 1m/24h  
IPX9K, mated
- \* Connector
  - Housing: Thermoplastic, Black
  - Pin: Copper alloy, Gold plated
  - Nut: Metal
  - Outer mold: Thermoplastic, Black
- \* Cable: CAT-5E, 22#\*2P+AL/MY+D, OD=6.2mm, PU Jacket, Black
- \* Cable length tolerance:
  - 1M < L ≤ 3M: +100/-0 mm
  - 3M < L ≤ 5M: +150/-0 mm
  - 5M < L ≤ 10M: ±100 mm
  - 10M < L ≤ 20M: ±200 mm
  - 20M < L ≤ 30M: ±300 mm
  - 30M < L ≤ 99M: ±500 mm

Pin Out	Wire (Cat5e)	Color	Twist
4	Green	綠	Twist
2	White/Green	白/綠	Twist
3	Orange	橙	Twist
1	White/Orange	白/橙	Twist



UNIT:mm	
TOLERANCE	±0.5mm

TITLE N SEN, M12 D, SCREW CABLE W/O SR, M, M, MOLDING △E			
SCALE 3:2	SIZE A4	SHEET 1 OF 1	
REV. E	WC-REV. A.2	QC: Inspection item	

**Amphenol LTW**  
安費諾亮泰企業股份有限公司

ITEM NO	DRAWN BY Yulong_wang	DATE 2016-10-14
DWG NO △C M12D-XXBMMM-SR8EXX	CHECKED BY Jinhai	DATE 2016-10-14
CUSTOMER ALTW	APPROVED BY Jerry	DATE 2016-10-14