

THIS DOCUMENT IS SUBJECT TO CHANGE WITHOUT NOTICE. IT IS CONFIDENTIAL AND A PROPERTY OF Amphenol LTW. DISCLOSURE TO THIRD PARTY HAS TO BE AUTHORIZED BY Amphenol LTW.

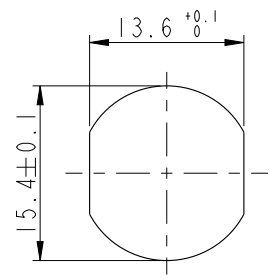
REV.	ECN NO.	DATE	SIGN	DESCRIPTION
G	C221973	2022/12/22	Ruru	$\triangle G$ X1
H	C231034	2023/08/08	Ruru	$\triangle H$ X1
I	C240019	2024/01/03	Lavy	$\triangle I$ X2

$\triangle B$

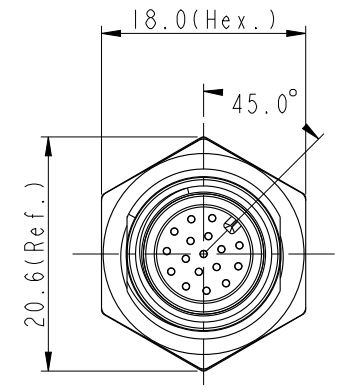
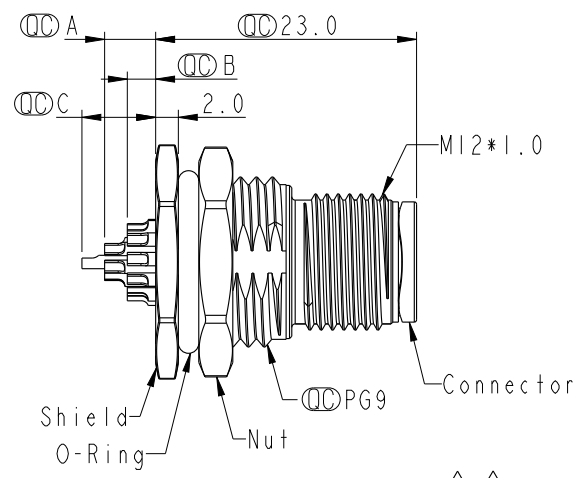
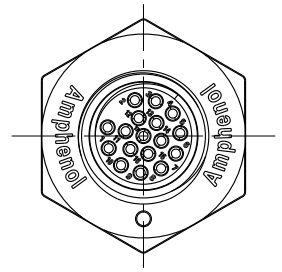
$\triangle D$

M12A-XXPMMS-SF8001

XX: No. Of Pin



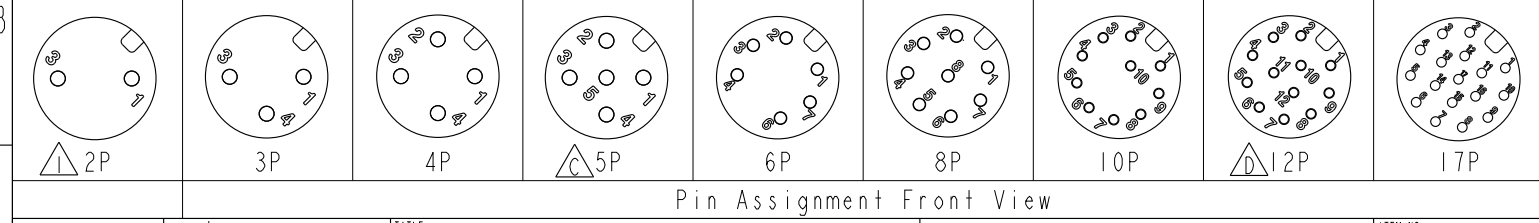
Recommended Panel Cut-Out



M12A-02PMMS-SF8001		2.5		$\triangle A$
M12A-03PMMS-SF8001		2.5		
M12A-04PMMS-SF8001		2.5		
M12A-05PMMS-SF8001		2.5		
M12A-06PMMS-SF8001		2.5		$\triangle C$
M12A-08PMMS-SF8001		2.5		
M12A-10PMMS-SF8001	4.5	2.5		
M12A-12PMMS-SF8001	4.5	2.5		
M12A-17PMMS-SF8001	4.5	2.5	6.5	$\triangle D$
Item No.	A	B	C	
	Pin伸出長度			

$\triangle D$   $\triangle F$  Note:

- \* RoHS Compliant
- \*  $\text{⌀}$  Important dimension
- $\triangle G$   $\triangle C$  \* Waterproof rate: IP68, unmated 1m/24h  
 $\triangle H$  IP69K, mated
- \* Connector
- Housing: Thermoplastic, Black
- Pin: Copper alloy, Gold plated
- $\triangle E$  \* Shield: Metal
- $\triangle E$  \* Nut: Metal
- \* O-Ring: Rubber, Black
- \* For panel thickness max: 4.5mm
- \* Nut is packed separately in pe bag



UNIT: mm		TITLE N SEN, M12 A, SCREW RECEPTACLE, M, M, SOLDER $\triangle F$	<h1>Amphenol LTW</h1> <p>安費諾亮泰企業股份有限公司</p>		ITEM NO M12A-XXPMMS-SF8001	DRAWN BY Lavy	DATE 2023-01-03
TOLERANCE .X ±0.25 .XX ±0.1 .XXX ±0.05 ANGLES ±1°	SCALE 1:1	SIZE A4	SHEET 1	OF 1	DWG NO $\triangle A$ M12A-XXPMMS-SF8001	CHECKED BY Jerry	DATE 2023-01-03
REV. I	WC-REV. .0	$\text{⌀}$ : Inspection item	CUSTOMER ALTW		APPROVED BY Fred	DATE 2023-01-03	