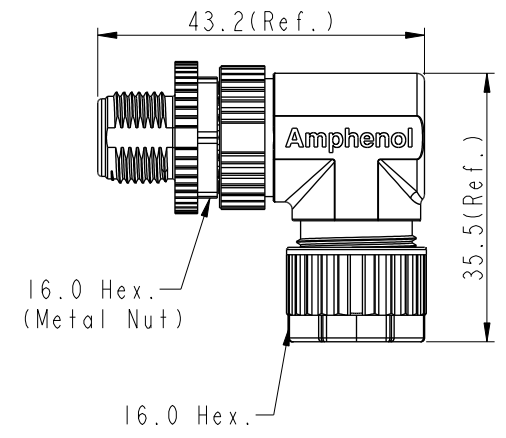
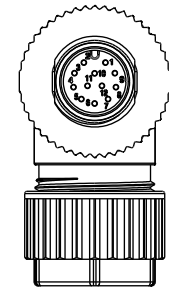
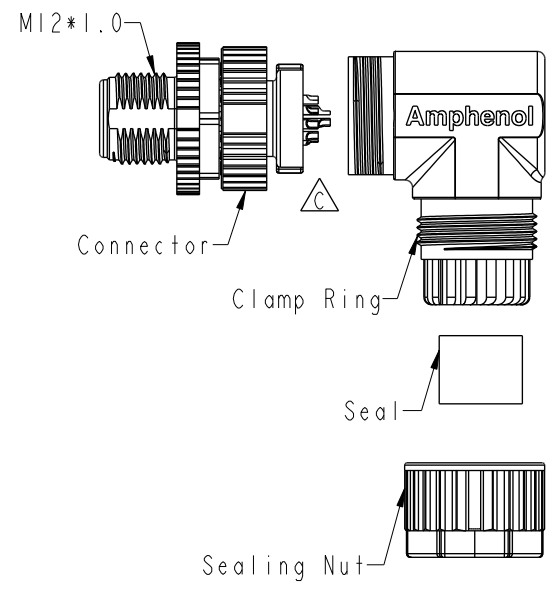


THIS DOCUMENT IS SUBJECT TO CHANGE WITHOUT NOTICE. IT IS CONFIDENTIAL AND A PROPERTY OF Amphenol LTW. DISCLOSURE TO THIRD PARTY HAS TO BE AUTHORIZED BY Amphenol LTW.

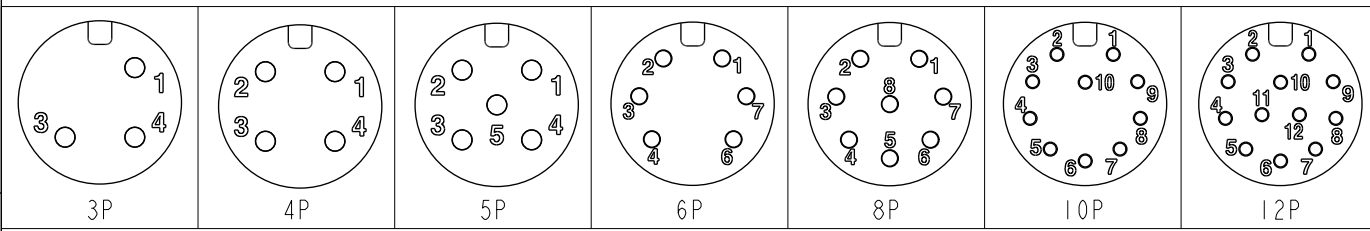
REV.	ECN NO.	DATE	SIGN	DESCRIPTION
C	C200793	2020/06/03	JC Chen	XI
D	C210020	2021/01/07	Vicky	XI
E	C210561	2021/04/09	Vicky	X2



M12A-XXBMM-A-SR7001

XX: No. Of Pin

-
- Note:
- * RoHS Compliant
 - * Important Dimension
 - * Waterproof rate: IPX7, mated
 - * Connector
 - Housing: Thermoplastic, Black
 - Pin: Copper alloy, Gold plated
 - Extension Nut: Thermoplastic, Black
 - Nut: Metal
 - O-Ring: Rubber, Gray
 - * Clamp Ring: Thermoplastic, Black
 - * Sealing Nut: Thermoplastic, Black
 - * Seal: Rubber, Gray, OD: $\varnothing 4.0\text{mm} - \varnothing 7.0\text{mm}$
 - * One set unassembled in one pe bag



Pin Assignments Front View

UNIT: mm		TITLE	N SEN, M12 A, SCREW CABLE W/O SR, M, M, FI SOLDER	
TOLERANCE	.X ±0.25 .XX ±0.1 .XXX ±0.05 ANGLES ±1°	SCALE	1:1	SIZE A4
		REV.	E	WC-REV. .0
				Inspection item

Amphenol LTW
安費諾亮泰企業股份有限公司

ITEM NO	DRAWN BY	DATE
	Lu Di	2015-05-04
DWG NO	CHECKED BY	DATE
M12A-XXBMM-A-SR7001	Joyy	2015-05-04
CUSTOMER	APPROVED BY	DATE
ALTW	Jimmy	2015-05-04