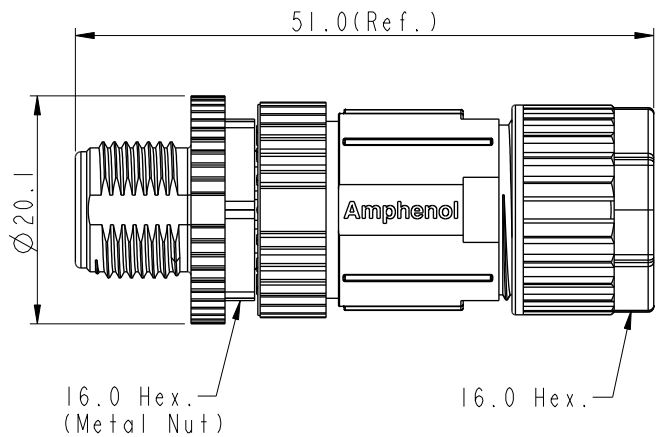
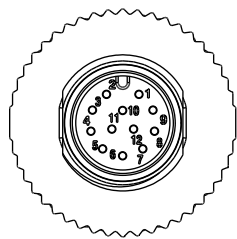
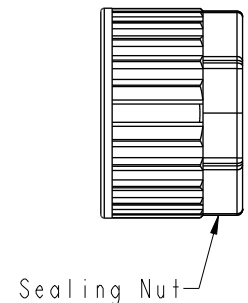
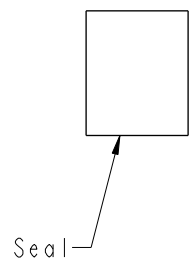
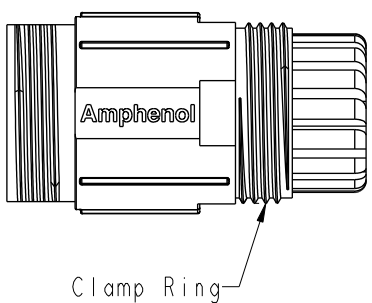
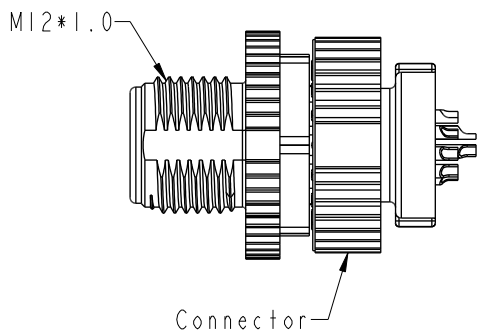


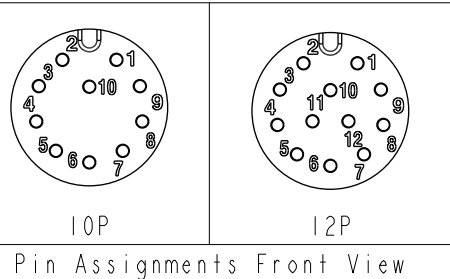
THIS DOCUMENT IS SUBJECT TO CHANGE WITHOUT NOTICE. IT IS CONFIDENTIAL AND A PROPERTY OF Amphenol LTW. DISCLOSURE TO THIRD PARTY HAS TO BE AUTHORIZED BY Amphenol LTW.

REV.	ECN NO.	DATE	SIGN	DESCRIPTION
B	C201472	2020/09/28	Vicky	\triangle_B X4
C	C210561	2021/04/09	Vicky	\triangle_C X2



- Note:
- * RoHS Compliant
 - * $\text{\textcircled{C}}$ Important Dimension
 - * Waterproof rate: IPX7, mated
 - * Connector
 - Housing: Thermoplastic, Black
 - Pin: Copper alloy, Gold plated
 - Extension Nut: Thermoplastic, Black
 - Nut: Metal
 - O-Ring: Rubber, Gray
 - * Clamp Ring: Thermoplastic, Black
 - * Sealing Nut: Thermoplastic, Black
 - * Seal: Rubber, Gray, OD: ϕ 4.0mm- ϕ 8.0mm
 - * One set unassembled in one pe bag

\triangle_B M12A-XXBMMA-SL7001
 XX: No. Of Pin



UNIT:mm			TITLE
TOLERANCE	.X ± 0.25	.XX ± 0.1	N SEN, M12 A, SCREW
.XXX ± 0.05	ANGLES $\pm 1^\circ$	SCALE 1:1	CABLE W/O SR, M, M, FI SOLDER
		SIZE A4	
		SHEET 1 OF 1	
		REV. C	WC-REV. A.1
			$\text{\textcircled{C}}$: Inspection item

Amphenol LTW
 安費諾亮泰企業股份有限公司

ITEM NO	DRAWN BY	DATE
	Lu Di	2015-05-04
DWG NO	CHECKED BY	DATE
\triangle_B M12A-XXBMMA-SL7001	Joyy	2015-05-04
CUSTOMER	APPROVED BY	DATE
ALTW	Jimmy	2015-05-04