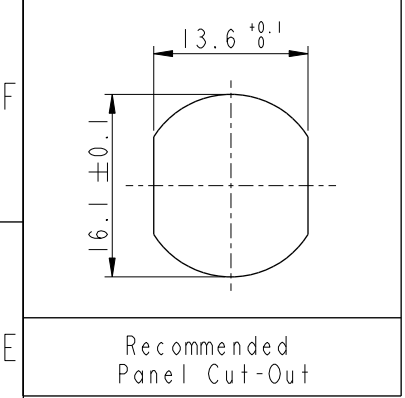


THIS DOCUMENT IS SUBJECT TO CHANGE WITHOUT NOTICE. IT IS CONFIDENTIAL AND A PROPERTY OF Amphenol LTW. DISCLOSURE TO THIRD PARTY HAS TO BE AUTHORIZED BY Amphenol LTW.

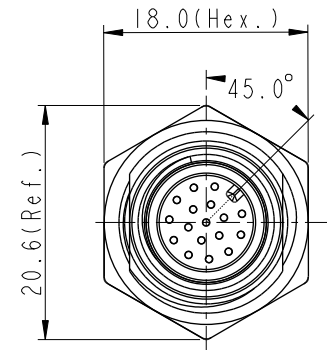
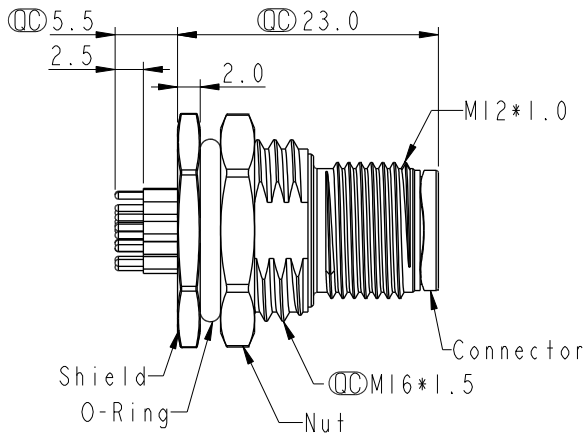
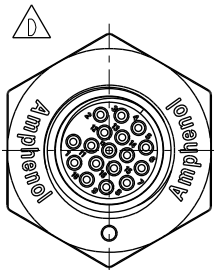
REV.	ECN NO.	DATE	SIGN	DESCRIPTION
E	C201472	2020/09/29	Vicky	$\triangle E$ X4
F	C210023	2021/01/14	Vicky	$\triangle E$ X2
G	C210309	2021/02/24	Ruru	$\triangle G$ X3

2 3 4 5 6 7 8



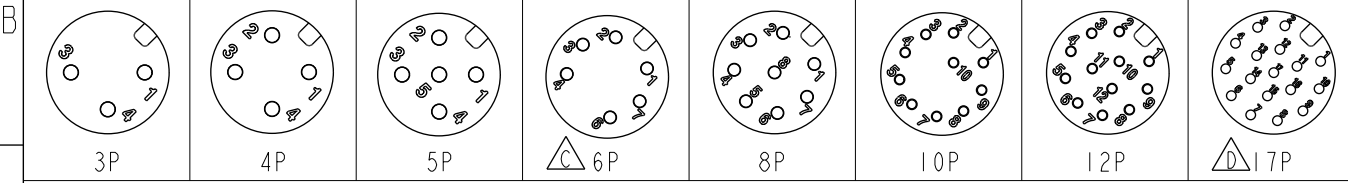
$\triangle B$

$\triangle E$   
M12A-XXPMP-SF8002  
XX: No. Of Pin



F  
E  
D  
C  
B  
A

- $\triangle E \triangle G$  Note:
- \* RoHS Compliant
  - \*  $\text{CC}$  Important dimension
  - $\triangle C$  \* Waterproof rate: IPX8, unmated 1m/24h  
IPX9K, unmated
  - \* Connector  
Housing: Thermoplastic, Black  
Pin: Copper alloy, Gold plated
  - $\triangle E$  \* Shield: Metal
  - $\triangle F$  \* Nut: Metal
  - \* O-Ring: Rubber, Black
  - \* For panel thickness max: 4.5mm
  - \* Nut is packed separately in pe bag



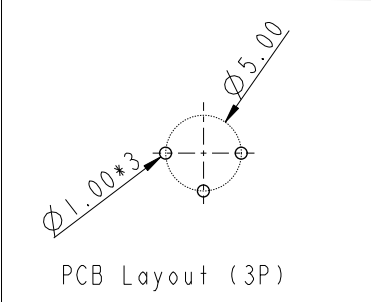
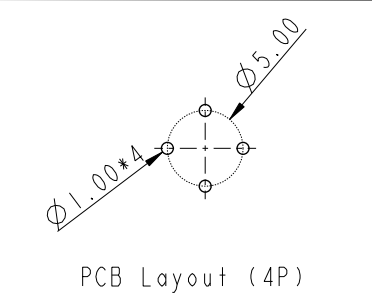
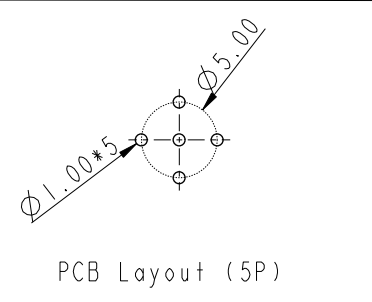
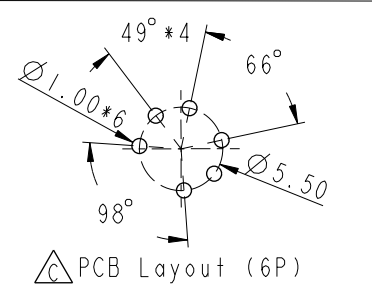
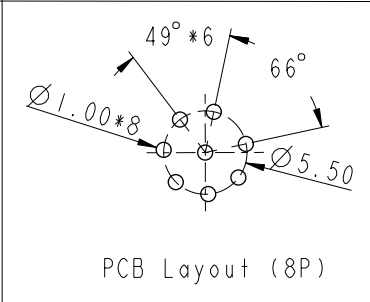
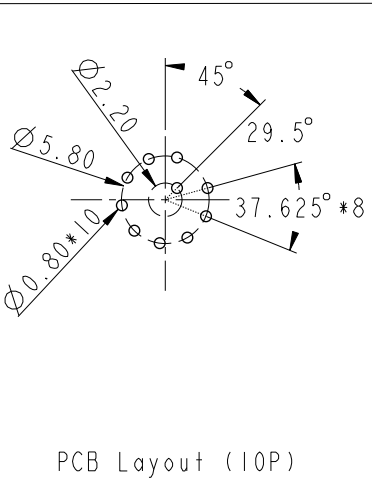
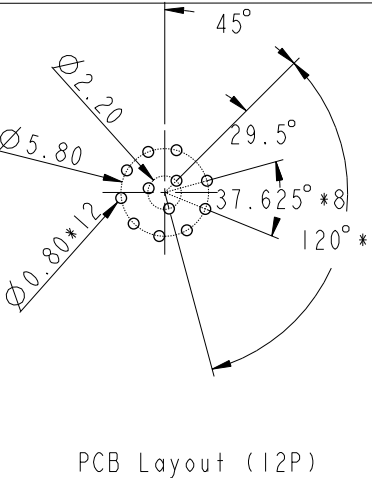
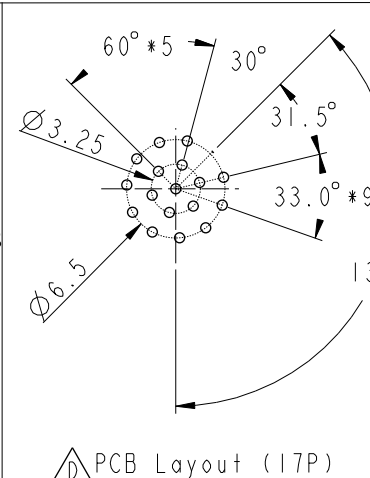
Pin Assignment Front View

UNIT: mm			TITLE N SEN, M12 A, SCREW RECEPTACLE, M, M, PCB S $\triangle A$
TOLERANCE .X $\pm 0.25$ .XX $\pm 0.1$ .XXX $\pm 0.05$ ANGLES $\pm 1^\circ$	SCALE 2:1	SIZE A4	SHEET 1 OF 2
	REV. G	WC-REV. A.5	$\text{CC}$ : Inspection item

**Amphenol LTW**  
安費諾亮泰企業股份有限公司

ITEM NO	DRAWN BY Yulong_wang	DATE 2016-08-08
DWG NO $\triangle E$ M12A-XXPMP-SF8002	CHECKED BY Jinhai	DATE 2016-08-08
CUSTOMER ALTW	APPROVED BY Jerry	DATE 2016-08-08

2 3 4 5 6 7 8

F		2	3	4	5	6	7	8
E								
D								
C								
B	 <p>PCB Layout (3P)</p>	 <p>PCB Layout (4P)</p>	 <p>PCB Layout (5P)</p>	 <p>PCB Layout (6P)</p>	 <p>PCB Layout (8P)</p>	 <p>PCB Layout (10P)</p>	 <p>PCB Layout (12P)</p>	 <p>PCB Layout (17P)</p>
A	UNIT: mm TOLERANCE .X ±0.25 .XX ±0.1 .XXX ±0.05 ANGLES ±1°	TITLE N SEN, M12 A, SCREW RECEPTACLE, M, M, PCB S		<b>Amphenol LTW</b> 安費諾亮泰企業股份有限公司		ITEM NO DWG NO CUSTOMER ALTW	DRAWN BY Yulong_wang CHECKED BY Jinhai APPROVED BY Jerry	DATE 2016-08-08 DATE 2016-08-08 DATE 2016-08-08
		2	3	4	5	6	7	8