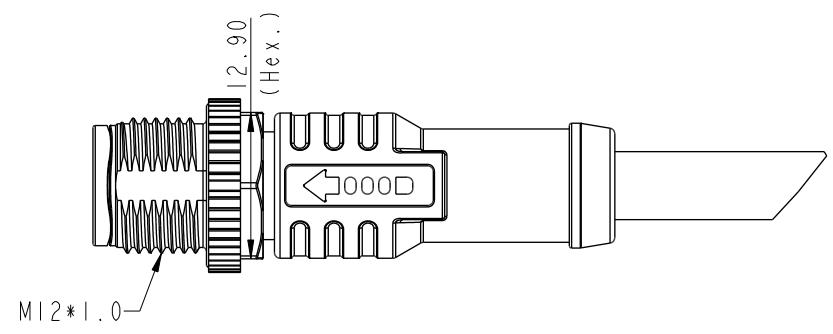
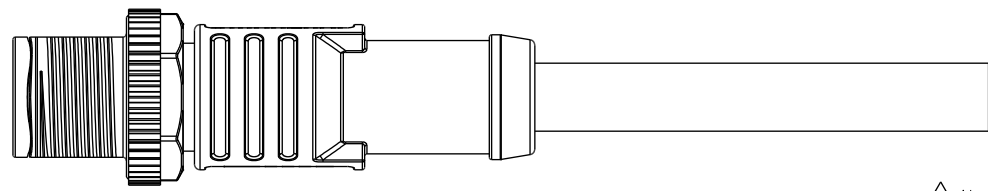
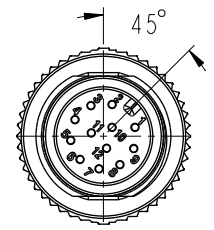
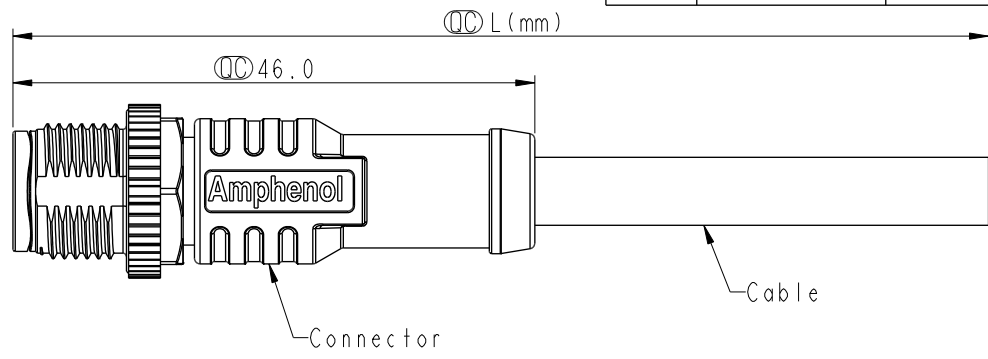

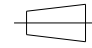


THIS DOCUMENT IS SUBJECT TO CHANGE WITHOUT NOTICE. IT IS CONFIDENTIAL AND A PROPERTY OF Amphenol LTW. DISCLOSURE TO THIRD PARTY HAS TO BE AUTHORIZED BY Amphenol LTW.

REV.	ECN NO.	DATE	SIGN	DESCRIPTION
B	C210007	2020/12/29	Ruru	△B X3
C	C210221	2021/03/18	Vicky	△C X4



- △C Note:
- * RoHS Compliant
 - * Ⓞ Important dimension
 - * Waterproof rate: IPX8, mated 1m/24h
IPX9K, mated
 - * Connector
 - Housing: Thermoplastic, Black
 - Pin: Copper alloy, Gold plated
 - △B Nut: Metal
 - Outer mold: Thermoplastic, Black
 - * Cable: UL20549, TPU Jacket, Black
 - * Cable length tolerance: IM: +50/-0 mm
 - 1M < L ≤ 3M: +100/-0 mm
 - 3M < L ≤ 5M: +150/-0 mm
 - 5M < L ≤ 10M: ±100 mm
 - 10M < L ≤ 20M: ±200 mm
 - 20M < L ≤ 30M: ±300 mm
 - 30M < L ≤ 99M: ±500 mm

UNIT: mm  
TOLERANCE
±0.5mm

TITLE N SEN, M12 A, SCREW CABLE W/O SR, M, M, MOLDING			△B △C
SCALE 3:2	SIZE A4	SHEET 1 OF 2	
REV. C	WC-REV. .0	Ⓞ: Inspection item	

Amphenol LTW
安費諾亮泰企業股份有限公司

ITEM NO.	DRAWN BY Ouyang	DATE 2020-11-18
DWG NO. M12A-XXBMMM-SL8NXX	CHECKED BY Jerry	DATE 2020-11-18
CUSTOMER ALTW	APPROVED BY Fred	DATE 2020-11-18

1 2 3 4 5 6 7 8

F	12P	6.2	26	M12A-12BMMM-SL8NXX
	10P	6.0		M12A-10BMMM-SL8NXX
	8P	6.7	24	M12A-08BMMM-SL8NXX
	6P	5.5		M12A-06BMMM-SL8NXX
	5P	5.6	22	M12A-05BMMM-SL8NXX
	4P	5.4		M12A-04BMMM-SL8NXX
	3P	5.2	20	M12A-03BMMM-SL8NXX

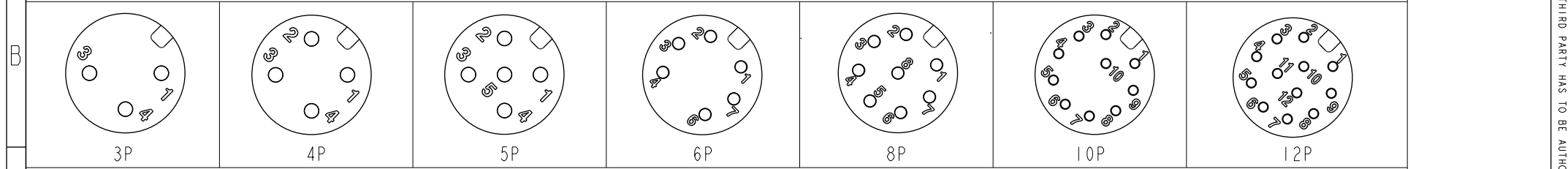
M12A-XXBMMM-SL8NXX
 XX: No. Of Pin
 XX: 01~99Meters
 01: 01Meter
 02: 02Meters
 .
 .
 99: 99Meters

\triangle C	Contacts	Cable OD	AWG	Item No.
---------------	----------	----------	-----	----------

E

C	5 4 3 2 1	White Blue Brown	白 藍 棕	5 4 3 2 1	orange Red Brown Black	橘 紅 棕 黑	5 4 3 2 1	Yellow orange Red Brown Black	黃 橘 紅 棕 黑	5 4 3 2 1	Green White Blue Brown	綠 白 藍 棕	5 4 3 2 1	Yellow orange Red Brown Black	黃 橘 紅 棕 黑	5 4 3 2 1	purple Black Red Pink Gray Yellow Green White Blue Brown	紫 黑 紅 粉 灰 黃 綠 白 藍 棕	5 4 3 2 1	Red/Blue Gray/Pink purple Black Red Pink Gray Yellow Green White Blue Brown	紅/藍 灰/粉 紫 黑 紅 粉 灰 黃 綠 白 藍 棕	
	Pin #	Wire		Pin #	Wire		Pin #	Wire		Pin #	Wire		Pin #	Wire		Pin #	Wire		Pin #	Wire		Pin #

Pin Out



Pin Assignments Front View

A	UNIT:mm		TITLE N SEN, M12 A, SCREW CABLE W/O SR, M, M, MOLDING			\triangle B \triangle C	ITEM NO	DRAWN BY	DATE
	TOLERANCE	$\pm 0.5mm$	SCALE	3:2	SIZE	A4	DWG NO	CHECKED BY	DATE
			REV.	C	WC-REV.	.0	M12A-XXBMMM-SL8NXX	APPROVED BY	DATE
						QC: Inspection item	CUSTOMER ALTW	Fred	2020-11-18

Amphenol LTW

安費諾亮泰企業股份有限公司